

T60F

OWNER'S MANUAL	P. 2 - 12
BETRIEBSANLEITUNG	S. 13 - 25
MODE D'EMPLOI	P. 26 - 39
HANDLEIDING	P. 40 - 51
MANUALE D'USO	P. 52 - 63
MANUAL DEL USUARIO	P. 64 - 75
BRUKSANVISNING	S. 76 - 86
KÄYTTÖOHJE	S. 87 - 97



- SERIAL NUMBER ● SERIENNUMMER
- NUMERO DE SERIE ● NÚMERO DE SERIE
- NUMERO DI SERIE ● SERIENNUMMER
- SERIENNUMMER ● SARJANUMERO

www.tunturi.com

TUNTURI[®]
THE MOTOR – *it's you.*

CONTENTS

IMPORTANT SAFETY INSTRUCTIONS.....	2
ASSEMBLY	2
BASICS ON EXERCISING.....	3
CONSOLE	5
POSITION SPEED CONTROL (PSC).....	6
CHOOSING AN EXERCISE	7
MANUAL EXERCISE	7
HEART RATE CONTROLLED EXERCISE	7
FITNESS TEST	7
EXERCISE PROFILES	9
MEMORY FUNCTION.....	10
MAINTENANCE	11
MALFUNCTIONS	11
MOVING AND STORAGE	12
TECHNICAL DATA	12

IMPORTANT SAFETY INSTRUCTIONS

This Owner's Manual is an essential part of your training equipment: reading all instructions in this manual before you start using this appliance. The following precautions must always be followed:

WARNING

- Never use extension cords between the treadmill and your wall outlet. The device's maximum power consumption is 10 A. Outlets with fluctuating voltage of more than 5 % may result in erratic performance or cause damage to treadmill electronics. Using electrical power other than that, which has been specified in this manual will ultimately void any warranty, implied or otherwise.

WARNING: to reduce any risk to persons:

- Keep hands clear of any moving parts. Never place hands, feet or any other objects into any opening or under the treadmill.
- Never leave the treadmill unattended when plugged in. Unplug from outlet when not in use, before putting on or taking off parts. To disconnect, turn all controls to the off position, then remove plug from outlet.
- Close supervision is necessary when the treadmill used by, on, or near children, invalids, or disabled persons.
- Use the treadmill only for its intended use as described in this manual. Do not use attachments not recommended by Tunturi.
- Before you start using the treadmill, make sure that it functions correctly in every way. Do not use a faulty device.
- Keep the cord away from heated surfaces.
- T60F must not be used outdoors. T60F tolerates an environment measuring +10°C to +35°C. Air humidity must never exceed 90 %.
- Do not attempt any servicing or adjustment other than those described in this manual. The given instructions must be followed carefully.
- Never operate this treadmill if it has a damaged cord or plug, if it has been dropped or damaged, or dropped into water. Return the treadmill to a service center for repair.
- Never operate the appliance with the air opening blocked. Keep the air openings free of lint, hair, and the like.

- Do not operate where aerosol (spray) products are being used or where oxygen is being administered.
- The device must not be used by persons weighing over 135 kg (298 lbs).
- T60F is designed for household use only. The warranty of 24 months applies only for faults in household use.

SAVE THESE INSTRUCTIONS!

WELCOME TO THE WORLD OF TUNTURI EXERCISING!

Your choice shows that you really want to invest in your well-being and condition; it also shows you really value high quality and style. With Tunturi Fitness Equipment, you've chosen a high-quality, safe and motivating product as your training partner. Whatever your goal in training, we are certain this is the training equipment to get you there. You'll find information about using your exercise equipment and what makes for efficient training at Tunturi's website at WWW.TUNTURI.COM.

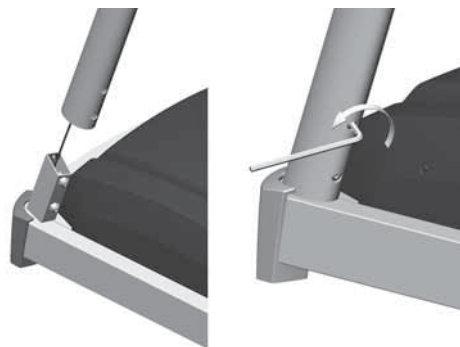
ASSEMBLY

Before assembling the device, insure all parts are present:

1. Frame
2. Handrails
3. Horizontal handlebar
4. Console
5. Power cord
6. Assembly kit (contents are marked with an * in the spare part list): keep the assembly tools, as you may need them e.g. for adjusting the equipment

The directions left, right, front and back are defined as seen from the exercising position. In case of problems contact your Tunturi dealer. Two people are needed for the installation. Assemble the equipment as follows:

HANDRAILS



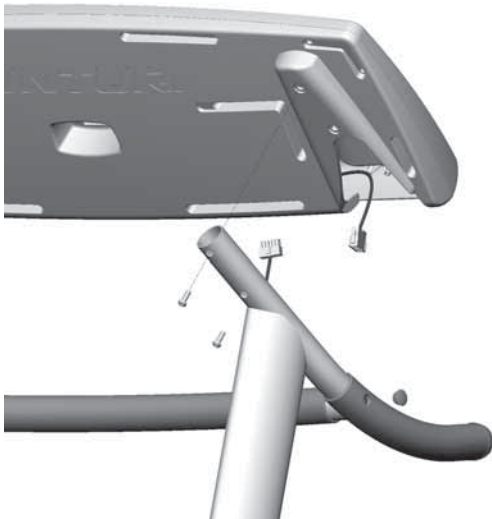
NOTE! Do not remove the fastening screws on the handrails! Please note that there is a wire coming out of the left handrail: be careful not to let the wire slide inside the handrail! Place the handrails into position at the sides of the frame: when placing the left handrail, gently pull the wire coming out of the handrail upward so that it won't be damaged between the handrail and the frame. Do not tighten the fastening screws until the horizontal handlebar and console have been secured.

HORIZONTAL HANDLEBAR



Place the horizontal handlebar between the handrails so that it is curved towards the rear of the treadmill. Secure the horizontal handlebar to the handrails on both sides with a hex screw. To facilitate the mounting, set the fastening screw on the tip of the allen key before inserting it through the hole in the handrail.

CONSOLE



Connect the wire coming out of the left handrail with the connector in the console wire and push the connected wire inside the handrail. Push the console onto the handrail ends and secure with four hex screws at the back of the console. If necessary, you can facilitate the console securing by loosening the horizontal handlebar; however, do not loosen the end with the black rubber nut.

Secure now both handrails with two hex screws. Tighten the two fastening screws by pushing the Allen key through the hole in the handrail to the screw head. **NOTE!** Tighten the fastening screws by turning them anti-clockwise! Be careful not to over tighten. Push the plastic end caps onto the holes in the handrails. Remove the protective film from the display. To facilitate the mounting, gently push the handrails forward when fastening the screws.

SAFETY KEY

The treadmill cannot be used if the key is not properly installed on the console; if the key is removed from its

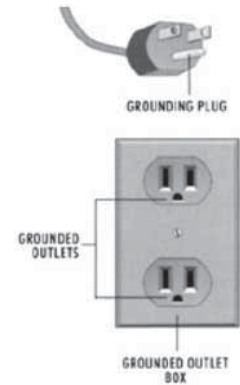
place, the treadmill will immediately stop. Insert the safety key into the key holder at the left side of the console. Ensure that the clip of the safety key is properly attached to your clothing; as the cord tightens, make sure the clip does not detach itself from your clothing before the safety key disconnects from the user interface.

POWER CORD AND

GROUNDING INSTRUCTIONS

Plug the socket end of the power cord into the treadmill at the left front corner. Before connecting the device to a power source, make sure that local voltage matches that indicated on the type plate. Turn on the power using the switch next to the socket on the treadmill. This treadmill must be grounded. If it should malfunction or breakdown, grounding provides a path of least resistance for electrical current to reduce the risk of electrical shock. This product is equipped with a cord having an equipment-grounded conductor and a grounding plug. The plug must be plugged into an appropriate outlet that is properly installed and grounded in accordance with all local codes and ordinances. Do not use extension cables when connecting the equipment to the power source.

DANGER! Improper connection of the equipment-grounding conductor can result in a risk of electric shock. Check with a qualified electrician or serviceman, if you are in doubt as to whether the product is properly grounded. Do not modify the plug provided with the product - if it will not fit the outlet, have proper outlet installed by a qualified electrician.



BASICS ON EXERCISING

Before training on a motor-driven treadmill, you should familiarise yourself with its functions and operation.

Working out with this equipment is excellent aerobic exercise, the principle being that the exercise should be suitably light but of long duration. Aerobic exercise is based on improving the body's maximum oxygen uptake, which in turn improves endurance and fitness.

Aerobic exercise should above all be pleasant. You should perspire, but your heart rate should stay at a comfortable level. This will allow for a longer training session. Three 30 to 60 minute sessions a week is recommended, depending on your goals, fitness level and schedule.

If you prefer a walking exercise, you can increase the versatility and effort level of your workout by adjusting the elevation. For a more versatile walking exercise, you can also use light dumbbells to work your arm muscles. Remember to pay attention to safety concerns, such as maintaining your balance.

You'll find information about using your exercise equipment and what makes for efficient training at Tunturi's website at www.tunturi.com.

ABOUT THE EXERCISE ENVIRONMENT

- Make sure the exercise environment has adequate ventilation. To avoid catching cold, do not exercise in a draughty place.
- Place the treadmill on a firm, level surface. Allow 200x100 cm of clearance behind the treadmill and 100 cm on either side and in front of the treadmill. Make sure that children and pets stay away from this area while the treadmill is in use.
- We recommend that the equipment is placed on a protective base.

ABOUT USING THE EQUIPMENT

- Always unplug the treadmill from the electrical outlet after each training session.
- Only one person may use the equipment at a time.
- Keep hands clear of any moving parts. Never place hands, feet or any other objects under the treadmill
- Never leave the treadmill unattended when plugged in.
- Wear appropriate clothing and shoes when exercising. Make sure your shoelaces are properly tied. To avoid injury and unnecessary wear on your treadmill, be sure your shoes are free of any debris such as gravel and small pebbles.

BEGINNING AN EXERCISE SESSION

- To avoid muscular pain and strain, begin and end each workout by stretching.
- Stand on the landing rails to the left and right of the running belt. Do not stand on the running belt.
- Begin each workout at a low speed, and gradually increase your speed and/or treadmill elevation to a comfortable level according to your condition.
- Always hold the handrail for support when getting on or off the treadmill and when changing the speed during exercise. Do not jump off the running belt while it is moving!
- To avoid numbness and pain in the neck, shoulder and back area, maintain an upright posture. Try to run in the middle of the track, within comfortable reach of the console.
- If you encounter any operational faults during exercise, grip the handlebar for support and stand on the landing rails to the left and right of the running belt. Turn the power switch off and see the instructions under Malfunctions.
- If you experience nausea, dizziness or other abnormal

symptoms while exercising, stop your workout at once and consult a physician.

FINISHING AN EXERCISE SESSION

- Finish each workout by gradually reducing the speed. Don't forget to stretch at the end of the workout.
- Never leave the safety key in the treadmill.
- Use the main power switch to turn the unit off.
- Unplug the electrical cord from the wall outlet and from the treadmill.
- If necessary clean the treadmill from sweat with a damp cloth. Do not use solvents.
- Store the electrical cord where it is clear from all pathways and out of childrens' reach.

HEART RATE

No matter what your goal, you'll get the best results by training at the right level of effort, and the best measure is your own heart rate. The most reliable heart rate measurement is achieved with a telemetric device, in which the electrodes of the transmitter fastened to the chest transmit the pulses from the heart to the console by means of an electromagnetic field.

NOTE! If you are fitted with a pacemaker, please consult a physician before using a wireless heart rate monitor.

If you want to measure your heart rate this way during your workout, moisten the grooved electrodes on the transmitter belt with saliva or water. Fasten the transmitter just below the chest with the elastic belt, firmly enough so that the electrodes remain in contact with the skin while exercising, but not so tight that normal breathing is prevented. If you wear the transmitter and belt over a light shirt, moisten the shirt slightly at the points where the electrodes touch the shirt. The transmitter automatically transmits the heart rate reading to the console up to a distance of about 1 m.

If the electrode surfaces are not moist, the heart-rate reading will not appear on the display. If the electrodes are dry, they must be moistened again. Allow the electrodes warm up properly to ensure accurate heart rate measurement. If there are several telemetric heart rate measurement devices next to each other, the distance between them should be at least 1.5 m. Similarly, if there is only one receiver and several transmitters in use, only one person with a transmitter should be within transmission range. The transmitter is switched to an active state only when it is being used for measurement. Sweat and other moisture can, however, keep the transmitter in an active state and waste battery energy. Therefore it is important to dry the electrodes carefully after use.

When selecting training attire, please note that some fibers used in clothes (e.g. polyester, polyamide) create static electricity, which may prevent reliable heart rate measurement.

Please note that a mobile phone, television and other electrical appliances form an electromagnetic field around them, which will cause problems in heart rate measurement.

First find your maximum heart rate i.e. where the rate doesn't increase with added effort. If you don't know your maximum heart rate, please use the following formula as a guide:

$$208 - 0,7 \times \text{AGE}$$

These are average values and the maximum varies from person to person. The maximum heart-rate diminishes on average by one point per year. If you belong to a risk group, ask a doctor to measure your maximum heart rate for you.

We have defined three different heart-rate zones to help you with targeted training.

BEGINNER: 50-60 % of maximum heart-rate

Also suitable for weight-watchers, convalescents and those who haven't exercised for a long time. Three sessions a week of at least a half-hour each is recommended. Regular exercise considerably improves beginners' respiratory and circulatory performance and you will quickly feel your improvement.

TRAINER: 60-70 % of maximum heart-rate

Perfect for improving and maintaining fitness. Even reasonable effort develops the heart and lungs effectively, training for a minimum of 30 minutes at least three times a week. To improve your condition still further, increase either frequency or effort, but not both at the same time!

ACTIVE TRAINER: 70-80 % of maximum heart-rate

Exercise at this level suits only the fittest and presupposes long-endurance workouts.

CONSOLE

FUNCTION KEYS

START

Starts the selected training and activates the running belt.

SPEED CONTROL KEYS (Rabbit / Turtle)

Rabbit key increases the belt speed in 0,1 km/h / mph increments, the turtle key decreases it in 0,1 km/h / mph increments. Pressing these keys longer makes the speed change faster. Track speed ranges from 0,5-16 km/h / 0,3-10 mph.

ELEVATION CONTROL KEYS

Click the elevation up key to increase elevation in 0,5 % increments, and the elevation down key to decrease it in 0,5 % increments. Pressing these keys longer makes the speed change faster. Track elevation ranges from 0 % (horizontal) to 10 %.

ARROW KEYS

In user settings, you can adjust the values with the arrow keys. In HRC mode, you can set and scale the target HR with the arrow keys. In exercise profiles, you can set and scale the effort level with the arrow keys. Pressing the "arrow up" key will increase the effort, and pressing the "arrow down" key will decrease the effort.

STOP / PAUSE / RESET

Press STOP once and the treadmill stops and moves into its waiting state for 5 minutes. You can restart the interrupted exercise by pressing the START key within 5 minutes. Press STOP twice to end your exercise. Keep the STOP key pressed down for 2 seconds to reset the console. The console then switches to its initial state.

SELECT

Before you press the START key, SELECT key selects the training modes. During training, SELECT key selects the profile displays.

ENTER

Confirm your selections (training mode or program, user set-ups)

MEMORY

You can use the MEM key to save your completed exercise in the console's memory. To save your data, you need to choose a user code. A total of 5 workouts can be saved under each user code.

PSC

Position Speed Control (PSC) allows you to adjust the track speed without touching the console by changing your position on the track during exercise. The PSC function requires the use of a heart rate monitor. PSC can be used in manual exercises, HRC exercises with elevation adjustment, the Rolling Hills profile, as well as both fitness tests.

SET

Press the SET key to choose a user code, enter user details, select display values, and to display the total training distance in kilometres and the total training time in hours.

DISPLAYS

HEART RATE

45-220 bpm. The heart rate light always blinks when the console is receiving a heart rate signal.

KCAL (estimated energy consumption)

0-9999 kcal, 1 kcal increment

ELEVATION

0-10 %, 0,5 % increment

TIME

Exercise duration at 1 second intervals 00:00-99:59, and at 1 minute intervals thereafter h1:40-h9:59

DISTANCE

0.00-99.99 km, 0,01 km increment

SPEED

running deck speed (0,5-16 km/h / 0,3-10 mph), 0,1 km / mph increment. A signal light indicates the selected measurement unit (km/h, mph, pace = minutes/ kilometre).

GRAPHIC / TEXT DISPLAY

T60F features a combined text and profile display that provides instructions when you switch to an exercise and during the exercise itself.

ENTERING USER DETAILS

We recommend that you choose a user code and save your personal details: these details are needed e.g. for a more accurate estimation of your energy consumption. At the same time, you can set the units to be displayed and check the total training values. Choosing a user code will also allow you to save your exercise data.

1. Press SET. Use the arrow keys to select a user code (1-4). Press ENTER to confirm your selection. **NOTE!** The NO USER option displays device settings, showing e.g. the total training time and distance.
2. Set the measurement units (Metric = metric system, Imperial = avoirdupois). Use the arrow keys to change the setting, and press ENTER to confirm your selection. You will then move to the next setting.
3. Set the user weight. Use the arrow keys to change the setting, and press ENTER to confirm your selection. This information is needed for estimating energy consumption. You will then move to the next setting.
4. Set gender (male, female). Use the arrow keys to change the setting, and press ENTER to confirm your selection. This information is needed for estimating energy consumption. You will then move to the next setting.
5. Set the age of the user. Use the arrow keys to change the setting, and press ENTER to confirm your selection. This information is needed for estimating energy consumption. You will then move to the next setting.
6. Set the audio signal (ON = signals on, OFF = signals off). Use the arrow keys to change the setting, and press ENTER to confirm your selection. You will then move to the next setting. **NOTE!** In profile workouts, the console gives an audio signal in advance of any changes in profile.
7. Set the units to be displayed (km/h, min/km, mph, min/mile). Use the arrow keys to change the setting, and press ENTER to confirm your selection. You will then move to the next setting. **NOTE!** You can set the units during exercise: press SET once and use the arrow keys to change the setting, and press ENTER to confirm your selection.
8. Set the maximum speed for PSC and HRC workouts with the arrow keys: since PSC and HRC adjust the speed level according to your heart rate, a maximum speed limit is needed to keep the speed at a suitable level. The default is 12 km/h. Use the arrow keys to change the setting, and press ENTER to confirm your selection. You will then move to the next setting.
9. The TOTAL TIME display shows a user specific total training time on the treadmill. Press ENTER to move to the next display.
10. The TOTAL DIST display shows a user specific

total training distance on the treadmill. Press ENTER to return to user settings or press START to exit user settings.

Once you have set the user details, you can start exercising by selecting your own user code. The selected user code will remain in the console's memory until it is replaced with a new one, the safety key is removed from its place, or the power cord is unplugged.

POSITION SPEED CONTROL (PSC)

Position Speed Control (PSC) allows you to adjust running track speed by changing your position on the track. Move to the front of the track and it accelerates, and as you move back the track itself slows down. When you are walking or running in the middle section of the track the speed stays steady.

NOTE! You must wear a Polar T41 heart rate belt when you use PSC! A blinking square in the Heart Rate display indicates that heart rate measurement is in operation.

NOTE! Attach the holder of the safety key carefully to your shirt whenever you are using PSC. Adjust the length of the safety key wire so that it will be detached from the console, if you move too far back.

NOTE! If you are exercising with PSC, there must not be another heart rate transmitter near the treadmill (minimum distance 2 m); the simultaneous signals of two transmitters endanger user safety by interfering with the PSC.

PSC SETTINGS

PSC settings should be done with the treadmill at a complete stop.

1. Start the use of PSC by setting the speed zone limits. Press the PSC key.
2. Depending on the previous settings, either PSC ON or PSC OFF will be displayed. Use the arrow keys to change the setting to PSC ON and press ENTER.
3. PRESS ENTER TO CALIBRATE PSC OR START TO EXIT will be displayed. Position yourself in the middle of the track. The acceleration zone begins approximately 10 cm ahead of the measurement point, while the deceleration zone begins approximately 20 cm behind the measurement point. Press ENTER and the text PLEASE WAIT 8 will be displayed. The console will now measure your distance on the basis of the heart rate signal. Measurement takes 8 seconds, and after that CALIBRATION READY PRESS START is displayed.
4. If the console cannot receive the heart rate signal or there are problems in measuring the distance, the console will return to the CALIBRATE display. In case of such an error, the text CHECK TRANSMITTER is displayed. You should then make sure that you have properly followed the instructions on the use of the heart rate belt.

If the speed zone limits are suitable for you, the next time you start exercising you can start PSC just by selecting PSC ON and pressing ENTER and START,

and then select the desired training mode. If you want to change the speed zone limits, repeat steps 1-4 and move to a more suitable position on the track before the measurement.

TRAINING WITH PSC

1. Select Manual exercise, Rolling Hills profile, a condition test or the standard heart rate exercise with automatic elevation adjustment. In these exercises you can adjust the track speed with PSC. The PSC signal light indicates that the feature is in operation. T60F is equipped with three PSC signal lights that show in which speed zone you are currently running (Rabbit = speed increases, - = constant speed, Turtle = speed decreases).
2. Start the selected exercise by pressing the START key, and adjust track speed by moving forward or back on the track. Please note that the speed adjustment keys (Turtle/Rabbit) are also in operation during a PSC exercise. **NOTE!** If you have not tried the PSC feature before, we recommend you start at slow speed.

CHOOSING AN EXERCISE

Press SELECT until the signal light indicates the desired exercise. You can choose between:

1. Manual exercise in which you adjust both speed and elevation yourself during the exercise.
2. Heart rate controlled HRC exercise in which the treadmill adjusts the speed / elevation automatically, so that your heart rate stays at the level set. You always need to wear a heart rate belt while doing HRC exercises.
3. Fitness tests feature with two test options: a 2-kilometre walking test and a 12-minute Cooper run test.
4. Preset exercise profile in which speed/elevation or heart rate level vary according to the preset program.

MANUAL EXERCISE

QUICK START

1. Manual exercise is the treadmill default setting. You can start the exercise directly by pressing the START key. The belt starts moving at 1,5 km/h / 1,0 mph.

STARTING WITH THE USER DETAILS SETUP

2. If you want to use user details or save your workout, set your user details or select your user code (1-4). Press START to confirm your selection.
3. Press SELECT until the signal light shows next to the Manual text.
4. Press START. The belt starts moving at 1,5 km/h / 1,0 mph. Use the Rabbit/Turtle keys or the PSC function to adjust the speed and the elevation control keys to adjust the elevation.
5. Press START. The belt starts moving at 1,5 km/h / 1,0 mph. Use the Rabbit/Turtle keys or the PSC function to adjust the speed and the elevation control keys to adjust the elevation.
6. Press STOP and the treadmill stops and moves into waiting state for 5 minutes. You can restart the interrupted exercise by pressing the START key within 5 minutes. You can use the waiting state to save

your workout in the console's memory (see Memory Function). Press the STOP key twice to end exercising and display feedback on your workout. The console then switches to its initial state.

HEART RATE CONTROLLED

EXERCISE

Heart rate controlled exercises enable training at a selected heart rate level. Heart rate controlled exercises always require the use of a heart rate belt. If heart rate measurement is not working correctly, the error message CHECK TRANSMITTER will be displayed. You should then make sure that you have properly followed the instructions on the use of the heart rate belt.

1. If you want to use user details or save your workout, set your user details or select your user code (1-4). Press START to confirm your selection.
2. Press SELECT until the signal light shows the HRC text. Press ENTER to confirm your selection.
3. Select the HRC mode with the arrow keys:
 - a) Speed = heart rate control is based on changing belt speed. If you wish, you can change the inclination angle of the belt during training.
 - b) Elevation = heart rate control is based on changing treadmill inclination. In this mode you have to adjust the speed by yourself using either PSC or the Turtle and Rabbit keys.
 - c) Combination = automatic equal adjustment of both the inclination angle and the speed of the belt.
4. Press ENTER to confirm your selection.
5. Set the desired heart rate (80-180) with the arrow keys.
6. Press START to start constant heart-rate exercise. You can adjust the heart rate level with the arrow keys during the exercise.
7. The profile display collects the exercise details at one minute intervals. After 20 minutes, the display will shift to the left to show the speed details from the last 20 minutes. Pressing SELECT during the exercise will display speed, elevation and heart rate profiles for the exercise.
8. Press STOP and the treadmill stops and moves into waiting state for 5 minutes. You can restart the interrupted exercise by pressing the START key within 5 minutes. You can use the waiting state to save your workout in the console's memory (see Memory Function). Press the STOP key twice to end exercising and display feedback on your workout. The console then switches to its initial state.

FITNESS TESTS

The treadmill features two different fitness tests. The fast-paced 2 km walking test requires a lower level of effort, while the 12-minute Cooper run test is better suited to those who are fit. You can use PSC to adjust the speed during the tests.

1. Select your user code (1-4) with the arrow keys. Press ENTER to confirm your selection.
2. Press SELECT until the signal light shows next to the text TEST. Press ENTER to confirm your selection..

3. Press SELECT to choose between the 2 km walking test and the Cooper test. Press ENTER to confirm your selection.

2 KM WALKING TEST

The walking test requires the use of a heart rate monitor. The test measures your fitness level on the basis of your heart rate level during the exercise and the time taken to complete the 2 km distance. The test is preceded by a 3-minute warm-up period. We also recommend you continue walking slowly after the test, so that your heart rate returns smoothly to normal. On the basis of your performance, the console will display an estimate of your maximum oxygen uptake capacity.

BEGINNING THE WALKING TEST:

1. The display prompts for user height: enter your height with the arrow keys. Press ENTER to confirm your setting.
2. The display prompts for the user's sex: enter your sex with the arrow keys. Press ENTER to confirm your setting.
3. The display prompts for user weight: enter your weight with the arrow keys. Press ENTER to confirm your setting.
4. The display prompts for the user's age: enter your age with the arrow keys. Press ENTER to confirm your setting.
5. The display reads WARM UP to indicate you can begin the 3-minute warm-up period. Begin the warm-up period by pressing START.
6. The running deck elevation is adjusted at 1 % to simulate air resistance. Adjust speed using the speed control keys or the PSC function. We recommend that you warm up by walking at a slightly faster pace than normally.
7. During the warm-up period, time will count down from three minutes. When the time displays 0:00, the console gives an audio signal and the actual test will begin (TEST STARTED!).

PERFORMING THE WALKING TEST:

1. The goal is to walk the 2 km distance as quickly as possible. Adjust the speed yourself by using the speed control keys or the PSC function. Do not run during the test!
2. If the heart rate measurement is not working correctly, the display will show the alert CHECK TRANSMITTER. You should then make sure that you have properly followed the instructions on the use of the heart rate belt.
3. Once the 2 km distance is covered, the console gives an audio signal. The test is automatically followed by a 5-minute cool-down period, after which the treadmill will stop. The display gives the test result as your maximum oxygen uptake capacity and shows an estimate of your fitness level. Compare your results to the fitness level categories for different age groups, shown in the table.

COOPER TEST

The Cooper test is used to calculate your fitness level on the basis of the distance you run in a period of 12 minutes: the longer the distance you cover, the better your fitness level. The test is preceded by a 3-minute warm-up period. We also recommend you continue walking slowly after the test, so that your heart rate returns smoothly to normal. On the basis of your performance, the console will display an estimate of your maximum oxygen uptake capacity.

BEGINNING THE COOPER TEST:

1. The display reads COOPER SELECTED. Press START to confirm your selection.
2. The display prompts for the user's sex: enter your sex with the arrow keys. Press ENTER to confirm your setting.
3. The display prompts for the user's age: enter your age with the arrow keys. Press ENTER to confirm your setting.
4. The display reads WARM UP to indicate you can begin the 3-minute warm-up period. Begin the warm-up period by pressing START.
5. The running deck elevation is adjusted at 1 % to simulate air resistance. Adjust speed using the speed control keys. We recommend that you warm up by walking at a slightly faster pace than normally.
6. During the warm-up period, time will count down

MEN / MAXIMAL OXYGEN UPTAKE (VO2MAX)							
1 = VERY POOR - 7 = EXCELLENT							
AGE	1	2	3	4	5	6	7
18-19	<33	33-38	39-44	45-51	52-57	58-63	>63
20-24	<32	32-37	38-43	44-50	51-56	57-62	>62
25-29	<31	31-35	36-42	43-48	49-53	54-59	>59
30-34	<29	29-34	35-40	41-45	46-51	52-56	>56
35-39	<28	28-32	33-38	39-43	44-48	49-54	>54
40-44	<26	26-31	32-35	36-41	42-46	47-51	>51
45-49	<25	25-29	30-34	35-39	40-43	44-48	>48
50-54	<24	24-27	28-32	33-36	37-41	42-46	>46
55-59	<22	22-26	27-30	31-34	35-39	40-43	>43
60-65	<21	21-24	25-28	29-32	33-36	37-40	>40

WOMEN / MAXIMAL OXYGEN UPTAKE (VO2MAX)							
1 = VERY POOR - 7 = EXCELLENT							
AGE	1	2	3	4	5	6	7
18-19	<28	28-32	33-37	38-42	43-47	48-52	>52
20-24	<27	27-31	32-36	37-41	42-46	47-51	>51
25-29	<26	26-30	31-35	36-40	41-44	45-49	>49
30-34	<25	25-29	30-33	34-37	38-42	43-46	>46
35-39	<24	24-27	28-31	32-35	36-40	41-44	>44
40-44	<22	22-25	26-29	30-33	34-37	38-41	>41
45-49	<21	21-23	24-27	28-31	32-35	36-38	>38
50-54	<19	19-22	23-25	26-29	30-32	33-36	>36
55-59	<18	18-20	21-23	24-27	28-30	31-33	>33
60-65	<16	16-18	19-21	22-24	25-27	28-30	>30

from three minutes. When the time displays 0:00, the console gives an audio signal and the actual test will begin (TEST STARTED!).

PERFORMING THE COOPER TEST:

1. The goal is to run as long a distance as possible in a period of 12 minutes. Adjust the speed yourself by using the speed control keys or the PSC function. The display shows the time elapsed and your estimated results throughout the test.
2. Once the 12 minutes are up, the console gives an audio signal. The test is automatically followed by a 5-minute cool-down period, after which the treadmill will stop. The display gives the test result as your maximum oxygen uptake capacity and shows an estimate of your fitness level. Compare your results to the fitness level categories for different age groups, shown in the table.

EXERCISE PROFILES

Tunturi has developed different preset exercise profiles in order to ensure versatile, pleasant and goal-oriented training. The console gives an audio signal in advance of changes in a profile. The profile display shows the shape of the profile and the details of the next profile bar. If you want to use user details or save your workout, set your user details or select your user code (1-4). Press ENTER to confirm your selection.

A. Combination profiles 1-3 are exercise profiles with different effort levels and preset speed and elevation. You can programme the speed to a desired level and set the duration of the exercise to be displayed either in time or distance. These profiles do not require the use of a heart rate belt, but that provides interesting additional information about your performance.

1. Press SELECT until the signal light shows the profile (1-3) you want. Press ENTER to confirm your selection.
2. Set profile distance/time. Press SELECT to move to profile duration (time / distance) setting. The previous duration set is shown on the display. Use the SELECT key to alternate between different setting values. You can change the value using the arrow keys (limit 10 minutes (10:00) – 3 hours (h3:00), adjusting at 5 minute steps / 3 km – 42 km, adjusting at 1 km steps). Press ENTER to confirm your selection.
3. Press START. The exercise begins and the belt starts moving. You can scale the profile speed level up and down at 1 % steps using the arrow keys. Pressing SELECT during the exercise will display speed, elevation and heart rate profiles for the exercise.
4. Press STOP and the treadmill stops and moves into waiting start for 5 minutes. You can restart the interrupted exercise by pressing the START key within 5 minutes or you can save your workout in the console's memory (see Memory Function). Press the STOP key twice to end exercising and display feedback on your workout. The console then switches to its initial state.
5. The cool-down period will automatically start once you have completed the profile. After the cool-down the treadmill will stop. You can save your workout in the console's memory (see Memory Function).

B. Rolling Hills is an interval exercise in which you can determine track speed yourself and set the distance to be run or the duration of the exercise. Rolling Hills allows you to regulate your speed using the PSC function. Unless you use PSC, this profile does not require the use of a heart rate belt. However, a heart rate belt will provide you with interesting additional information about your performance.

1. Press SELECT until the signal light shows the profile
 4. Press ENTER to confirm your selection.
 2. Press SELECT to move to profile duration (time / distance) setting. The previous duration set is shown on the display. Use the SELECT key to alternate between different setting values. You can change the value using the arrow keys (limit 10 minutes (10:00) – 3 hours (h3:00), adjusting at 5 minute steps / 3 km – 42 km, adjusting at 1 km steps).
 3. Press START. The exercise begins and the belt starts moving. Use the speed control keys or PSC to adjust the speed. Pressing SELECT during the exercise will display elevation and heart rate profiles for the exercise.
 4. You can scale the program elevation profile up and down using the arrow keys.
 5. Press STOP and the treadmill stops and moves into waiting start for 5 minutes. You can restart the interrupted exercise by pressing the START key within 5 minutes or you can save your workout in the console's memory (see Memory Function). Press the STOP key twice to end exercising and display feedback on your workout. The console then switches to its initial state.
 6. The cool-down period will automatically start once you have completed the profile. After the cool-down the treadmill will stop. You can save your workout in the console's memory (see Memory Function).
- C.** Heart rate controlled HRC profiles (5-8) are heart rate controlled exercise profiles with different effort levels that allow you to set the duration of the exercise. The heart rate controlled profiles always require the use of a heart rate belt. If heart rate measurement is not working correctly, the error message CHECK TRANSMITTER will be displayed. You should then make sure that you have properly followed the instructions on the use of the heart rate belt.

1. Press SELECT until the signal light shows next to the profile (5-8) you want. Press ENTER to confirm your selection.
2. Select the HRC mode with the arrow keys. Press ENTER to confirm your selection.
3. Press SELECT to move to profile duration (time / distance) setting. The previous duration set is shown on the display. Use the SELECT key to alternate between different setting values. You can change the value using the arrow keys (limit 10 minutes (10:00) – 3 hours (h3:00), adjusting at 5 minute steps / 3 km – 42 km, adjusting at 1 km steps).
4. Press START. The exercise begins and the belt starts moving.
5. You can scale the profile speed level up and down at 1 % steps using the arrow keys.
6. Press STOP and the treadmill stops and moves into waiting start for 5 minutes. You can restart the interrupted exercise by pressing the START key within 5 minutes or you can save your workout in the console's

memory (see Memory Function). Press the STOP key twice to end exercising and display feedback on your workout. The console then switches to its initial state.

7. The cool-down period will automatically start once you have completed the profile. After the cool-down the treadmill will stop. You can save your workout in the console's memory (see Memory Function).

PROFILES

(profile figures are at the back fold of the manual)

PROFILE 1 (Hill Walk). This profile is based on regular changes in elevation, combined with a fairly steady, brisk walking pace. The profile is suited to beginners and active walkers. The default values are preset to an average speed of 5.2 km/h and a top speed of 5.8 km/h, with an average elevation of 2.7%.

PROFILE 2 (Hill Jog). This profile is based on irregular changes in elevation, combined with a fairly steady, light jogging pace. The profile is suited to beginners as well as to those who want to maintain their fitness. The default values are preset to an average speed of 6.9 km/h and a top speed of 7.2 km/h, with an average elevation of 1.9%.

PROFILE 3 (Hill Run). This profile is based on a consistent, low elevation, combined with a brisk running pace with regular variation. The profile is suited to active runners. The default values are preset to an average speed of 11.6 km/h and a top speed of 12.5 km/h, with an average elevation of 1.8%.

PROFILE 4 (Rolling Hills). A distance profile where you can set the distance to be covered in kilometres. The profile is specifically designed for regular training, but also allows for varied routines in fitness training. The maximum distance is 42 km, with the default value preset to 3 km, adjusting at 1 km steps. The profile features interval type elevation settings, with an average elevation of 2.4%.

PROFILE 5 (Fatburner 1). A heart rate profile with a low level of effort, based on a regular rise and fall in the heart rate. The profile is suited to weight control. The default values are preset to an average heart rate of 114 bpm and a maximum heart rate of 125 bpm.

PROFILE 6 (Fatburner 2). A heart rate profile with a medium level of effort, based on an interval type rise and fall in the heart rate. The profile is suited to fitness training and weight control. The default values are preset to an average heart rate of 122 bpm and a maximum heart rate of 136 bpm.

PROFILE 7 (Cardio). A heart rate profile with a medium level of effort, based on a regular rise and fall in the heart rate. The heart rate level remains at around 130-140 bpm almost throughout the entire exercise. The profile is ideal for fitness training. The default values are preset to an average heart rate of 129 bpm and a maximum heart rate of 145 bpm.

PROFILE 8 (Fit). A heart rate profile with a high level of

effort, based on a regular rise and fall in the heart rate. The heart rate level remains at around 135-145 bpm almost throughout the entire exercise. The profile is suited to demanding fitness training and improvement. The default values are preset to an average heart rate of 133 bpm and a maximum heart rate of 150 bpm.

MEMORY FUNCTION

The Memory function requires the use of a user code: the exercise is saved under the selected user code. You can save 5 exercises under each user code.

SAVING YOUR OWN PROFILE:

1. You can save preset profiles once the exercise is completed, or after finishing the exercise by pressing STOP once. If you want to save your Manual or HRC workouts, finish the exercise by pressing STOP once. Save your exercise by pressing MEM.
2. The display prompts for a memory slot (SAVE AS OWN 1-5). Select the desired memory slot with the arrow keys and press ENTER to confirm your selection: your workout is now saved to the desired slot.
3. If there are no empty memory slots, replace a previous profile with a new one. The display then prompts you to confirm (REPLACE OWN 1-5). Press ENTER to confirm your selection: your workout is now saved to the desired slot.
4. SAVED AS OWN 1-5 is displayed to confirm your save. The console will automatically switch to its initial state.

NOTE! A total of 30 speed or elevation changes can be saved in each profile. To save a profile, you need to exercise for 10 minutes or more.

USING YOUR OWN PROFILE:

1. Select your user code.
2. Press MEM.
3. Press SELECT until the signal light indicates the desired own profile (-1-5 MEMORY). Press ENTER to confirm your selection. Select RERUN (to use the profile without adjustments) or RACE (to use the profile as a basis for the Race function) with the SELECT key.
4. Press ENTER to confirm your selection.
5. Press START to begin the profile.
6. The RERUN function allows you to scale your own profile and save the changes.

RACE FUNCTION

To race against a previously saved speed/elevation profile exercise, select RACE in the Own Profile menu. The goal is to complete the profile as fast as possible.

1. Press START. The exercise begins and the belt starts moving.
2. Adjust the speed according to your fitness level either manually or using the PSC function.
3. The console display shows information on profile progress and any changes ahead, and also shows how your performance compares to the previously saved session: when you fall behind your previously saved session, the display will read "YOU ARE x.xx

BEHIND". When you are ahead of your previously saved session, the display will read "YOU ARE x.xx AHEAD".

4. Once the profile has been completed, the treadmill will automatically stop. You can save your workout in the console's memory (see Memory Function).

MAINTENANCE

The equipment is safe to use only when periodically maintained and inspected for faults and wear. Do not attempt any servicing or adjustment other than those described in this manual. Any other servicing must be performed by an authorized service representative. Check the tightness of all fixing screws once a year. Do not overtighten. Defective components must be immediately replaced: the equipment must not be operated with any defective components.

CLEANING AND LUBRICATING THE TREADMILL

Wipe the treadmill surfaces, especially the handlebars and console from dust with a damp cloth or towel. Do not use solvents. Use a small vacuum nozzle to carefully vacuum around all visible components (belt, running deck, side rails etc.). To clean the underside, lift the running deck to the storage position.

NOTE! Also keep the area near the treadmill clean. While in use, the treadmill gathers dust that may cause problems in the operation of the equipment.

In average domestic use (a maximum of 60 minutes a day), you should check the lubrication approximately after every 300 hours of use. The console is equipped with a counter for measuring total values, thus allowing you to monitor your total training time on the treadmill. If there is any jerky movement of the belt, always check the lubrication level. To do this, let the treadmill come to a complete stop, then simply lift the running belt to feel the running deck; if the deck feels dry and there is very little evidence of lubricant on your hand, lubricate the running deck according to the following instructions:

1. Attach the nozzle to the lubricant container.
2. Let the treadmill come to a complete stop, and then lift the running belt.
3. Position nozzle between the belt and the board approximately 200 mm (8") from the front of the treadmill.
4. Apply T-Lube from the front to the rear of the treadmill on each side of the treadmill, spraying as far into the center of the running base as possible. One T-Lube container will be sufficient for two re-lubrications.
5. The treadmill is instantly ready for use.

NOTE! When lubricating the treadmill, you should let it run at least five minutes before lifting the running deck to the storage position. This will prevent the lubricant from spilling.

NOTE! Lubricate your treadmill only with T-Lube S silicon lubricant. Contact your local Tunturi distributor for further supplies of T-Lube.

ALIGNING THE RUNNING BELT

Monitor belt tracking during exercise and make adjustments as needed. The belt should run in the center of the treadmill. Alignment is not usually needed, provided

- the treadmill is placed on an even, solid and horizontal surface and the belt is correctly tensioned
- the alignment of the belt is correct

It is, however, possible for the belt to be pushed to one side due to the user's running style (e.g. more weight on one foot). The alignment of the belt is adjusted by turning the two bolts at the back of the treadmill.

1. Turn the power switch on and increase the treadmill's speed to 5 km/h (3 mph).
2. If the belt drifts to the left, turn the left adjustment bolt $\frac{1}{4}$ turn clockwise and the right adjustment bolt $\frac{1}{8}$ turn anti-clockwise. If the belt drifts to the right, turn the right adjustment bolt $\frac{1}{4}$ turn clockwise and the left adjustment bolt $\frac{1}{4}$ turn anti-clockwise.
3. If the belt remains centered the adjustment is correct. If not, continue to make small adjustments as above until the belt is correctly aligned. If the belt is allowed run across to one side for long periods of time the edges of the belt may be damaged and the treadmill may not continue to operate correctly. Any damage to the belt caused by the lack of necessary adjustment will not be covered by the warranty.

ADJUSTING THE BELT TENSION

The belt must be tensioned if it begins to slip on the rollers. In normal use, however, keep the belt as loose as possible! The belt tension is adjusted by turning the same screws as used for aligning the running belt. If turning the screws will not effect the belt tension, please contact your local Tunturi dealer.

1. Increase the treadmill's speed to 5 km/h (3 mph).
2. Turn both adjustment screws an equal amount, $\frac{1}{4}$ turn clockwise.
3. Try to slow the belt down by holding onto the handrails and braking as you walk (as if you were walking downhill).

If the belt slips, turn another $\frac{1}{4}$ turn and repeat the test. When braking heavily the belt may slip. If the belt keeps slipping despite repeated adjustments, please contact your local Tunturi dealer.

MALFUNCTIONS

NOTE! Despite continuous quality control, defects and malfunctions caused by individual components may occur in the equipment. In most cases it's unnecessary to take the whole device in for repair, as it's usually sufficient to replace the defective part. Always give the model, serial number of your equipment and in case of malfunctions also conditions of use, nature of malfunction and any error code.

When you encounter unusual behavior from the treadmill, simply turn the power switch off, wait 1

minute and turn the power switch on to reset the treadmill. This should clear incidental errors and ready the treadmill for normal operation again. If after you have reset the treadmill by turning the power switch off and on again, and the treadmill is still not operational, contact your local Tunturi dealer for service.

If you require spare parts, always give the model, serial number of your equipment and the spare part number for the part you need. The spare part list is at the back of this manual. Use only spare parts mentioned in the spare part list.

ERROR CODES

The user interface will display information about operational faults.

SYSTEM CHECK FAILED. Possible motor controller fault. Turn the power switch off, wait 1 minute and turn the power switch on again. If treadmill recovers to normal operation, you may continue to use the treadmill. Otherwise, call the dealer for service.

SPEED SENSOR ERROR. Call the dealer for service.

MOTOR SPEED ERROR. Ensure correct usage of the treadmill. Do not push the belt with your feet. Turn the power switch off, wait 1 minute and turn the power switch on again. If treadmill recovers to normal operation, you may continue to use the treadmill. Otherwise, call the dealer for service.

MOTOR OVERLOAD. Ensure correct usage of the treadmill. Do not brake the belt. Turn the power switch off, wait 1 minute and turn the power switch on again. If treadmill recovers to normal operation, you may continue to use the treadmill. Ensure the lubrication is sufficient, re-lubricate the running deck if needed. Otherwise, call the dealer for service.

LIFT MOTOR ERROR. Call the dealer for service.

LIFT MOTOR OVERLOAD. Ensure correct usage of the treadmill. Do not overload the lift motor by continuously changing the elevation. Turn the power switch off, wait 1 minute and turn the power switch on again. The lift motor will be automatically calibrated when the power switch is turned on. If treadmill recovers to normal operation, you may continue to use the treadmill. Otherwise, call the dealer for service.

MAINTENANCE CODE

CHECK LUBRICATION. Ensure the lubrication is sufficient, re-lubricate the running deck only if needed. Remove the code by pressing the ENTER key twice.

MOVING AND STORAGE

The T60F can be folded up to space saving storage position. Always let the treadmill come to a complete stop before lifting the running deck into the storage position. Turn off the power switch and unplug the power cord from the wall and the treadmill. Take hold of the rear end of the running base and lift up until the

running base is locked in place. **NOTE!** The gas spring is designed to make lifting the running base easier. Always remember to ensure that the running base is locked in the storage position. When in storage position, the treadmill will automatically rest on the transportation wheels. Push the equipment on the transportation wheels. To release the folding lock, press the left gas spring lightly with your foot on the sticker indicating the folding mechanism and pull the running base down. Lower the treadmill carefully onto the floor.

NOTE! Transport the treadmill with extreme caution over uneven surfaces, for example over a step. The treadmill should never be transported upstairs using the wheels over the steps, instead it must be carried. We recommend that you use a protective base when transporting the equipment. The running belt needs to be realigned and centered after moving.

To prevent malfunctioning of the treadmill, store it in a dry place with as little temperature variation as possible, protected against dust. Always unplug the treadmill from the electrical outlet when not in use.

TECHNICAL DATA

Length	202 cm / 79"
(storage position	115 cm / 45")
Height	138 cm / 54"
(storage position	175 cm / 69")
Width	94 cm / 37"
Weight	105 kg / 231 lbs
Running surface	54 x 138 cm
Speed	0,5-16,0 km/h /
Elevation range	0-10 %
Motor	2,0 HP (1,49 kW)

T60F treadmill meets the requirements of the EU's EMC Directives on electromagnetic compatibility (EN 61000-6-1, EN 61000-6-3, 61000-3-3. FCC: CFR 47 part 15, UL 1647, CAN/CSA-C22.2 No. 68-92) and electrical equipment designed for use within certain voltage limits (EN 60335-1). This product therefore carries the CE label. T60F treadmill meets EN precision and safety standards (Class HA, EN-957, parts 1 and 6).

Due to our continuous policy of product development, Tunturi reserves the right to change specifications without notice.

CAUTION! The instructions must be followed carefully in the assembly, use and maintenance of your equipment. The warranty does not cover damage due to negligence of the assembly, adjustment and maintenance instructions described herein. Changes or modifications not expressly approved by Tunturi Oy Ltd will void the user's authority to operate the equipment!

We wish you many enjoyable trainings with your new Tunturi training partner!

INHALT

WICHTIGE SICHERHEITSHINWEISE.....	13
MONTAGE.....	13
ALLGEMEINES ZUM TRAINING	14
HERZFREQUENZ.....	15
COCKPIT	16
POSITION SPEED CONTROL (PSC).....	18
WAHL DER TRAININGSEINHEIT	18
MANUAL-TRAINING	18
HERZFREQUENZGESTEUERTES TRAINING	19
TRAININGSPROFILE.....	21
SPEICHERFUNKTION.....	22
WARTUNG	23
BETRIEBSSTÖRUNGEN.....	24
TRANSPORT UND AUFBEWAHRUNG	25
TECHNISCHE DATEN.....	25

WICHTIGE SICHERHEITSHINWEISE

Dieses Handbuch ist ein wesentlicher Bestandteil Ihres Trainingsgerätes. Lesen Sie es bitte sorgfältig durch, bevor Sie Ihr Trainingsgerät montieren, mit ihm trainieren oder es warten. Bitte bewahren Sie dieses Handbuch auf; es wird Sie jetzt und zukünftig darüber informieren, wie Sie Ihr Gerät benutzen und warten. Befolgen Sie diese Anweisungen immer sorgfältig. Ihr Heimtrainer wurde für das Heimtraining und für die leichte kommerzielle Nutzung entwickelt. Sowohl Tunturi, als auch seine nationalen Vertretungen übernehmen keine Haftung für Verletzungen oder Geräteschäden, die sich bei Einsatz in gewerblichen Fitnesscentern, Sportvereinen und vergleichbaren Einrichtungen ergeben. Für Schäden, die durch Missachtung der in diesem Handbuch beschriebenen Montage- Einstellungs- und Wartungsinstruktionen entstehen, besteht kein Garantieanspruch!

- Das Gerät nur an geerdete Schukosteckdosen anschließen und zum Anschluss kein Verlängerungskabel verwenden. Schwankungen in der Netzspannung von mehr als 10 Prozent können zu Fehlfunktionen des Gerätes führen und die Elektronik beschädigen. Die Leistungsaufnahme kann maximal 10 A betragen. Die Garantie erlischt, wenn das Gerät nicht diesen Anleitungen entsprechend angeschlossen wird.
- Modifikationen an Steckdosen und Netzkabel dürfen nur von Fachkräften durchgeführt werden, die mit der Wartung von elektromechanischen Geräten vertraut sind und eine gültige Genehmigung für die Durchführung derartiger Wartungs- und Reparaturarbeiten haben.
- Suchen Sie vor dem Trainingsbeginn einen Arzt auf, der Ihren Gesundheitszustand feststellt.
- Bei Übelkeit, Schwindelgefühl oder anderen ungewöhnlichen Symptomen während des Trainings, beenden Sie Ihre Übung und suchen Sie einen Arzt auf.
- Keine anderen als die in dieser Gebrauchsanweisung beschriebenen Wartungsmassnahmen und Einstellungen vornehmen. Vor Montage- und Reparaturarbeiten das Gerät ausschalten und den Netzstecker ziehen.
- Das Gerät darf nicht von Personen benutzt werden, deren Gewicht über 135 kg liegt.
- Dieses Gerät ist zugelassen für das Training zu Hause. Die Garantie dieses Gerätes beträgt 24 Monate für das Heimtraining.

HERZLICH WILLKOMMEN IN DER WELT DES TRAINIERENS MIT TUNTURI!

Durch Ihren Kauf haben Sie bewiesen, dass Ihnen Ihre Gesundheit und Ihre Kondition viel wert sind; auch haben Sie gezeigt, dass Sie Qualität zu schätzen wissen. Mit einem Tunturi-Fitnessgerät haben Sie sich für ein hochwertiges, sicheres und motivierendes Produkt als Trainingspartner entschieden. Welches Ziel Sie auch immer mit Ihrem Training verfolgen, wir sind sicher, dass Sie es mit diesem Fitnessgerät erreichen. Hinweise zu Ihrem Trainingsgerät und zum effektiven Training damit finden Sie auf der Internetseite von Tunturi WWW.TUNTURI.COM.

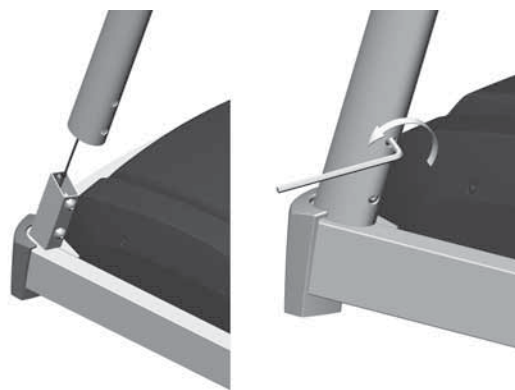
MONTAGE

Prüfen Sie, dass folgende Teile vorhanden sind:

1. Rahmen
2. Vorderstangen
3. Querhandstütze
4. Cockpit
5. Netzkabel
6. Montagezubehör (der Inhalt steht mit * auf der Ersatzteilliste): Bewahren Sie die Montageteile sorgfältig auf, denn Sie können sie später u.a. zur Justierung benötigen

Die Richtungsangaben rechts, links, vorne, hinten gehen von der Blickrichtung beim Training aus. In Problemfällen wenden Sie sich bitte mit der Typenbezeichnung und der Seriennummer des Gerätes an Ihren Händler. Der Silikatbeutel verhindert die Feuchtigkeitsbildung während der Lagerung. Er wird nach dem Auspacken nicht mehr benötigt. Wir empfehlen, dass Sie das Gerät mit mindestens einer weiteren erwachsenen Person montieren. Das Gerät wie folgt montieren:

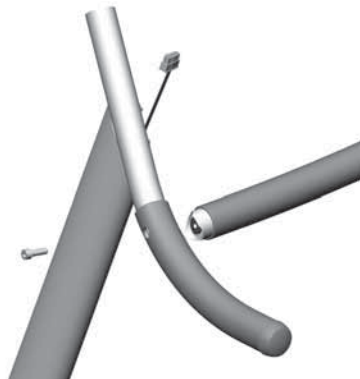
VORDERSTANGEN



BITTE BEACHTEN! Bitte die Befestigungsschrauben nicht entfernen, sie befinden sich bereits an den vorgesehenen Stellen! Bitte beachten Sie, dass durch die linke Vorderstange ein Kabel verläuft: Achten Sie darauf, dass dieses Kabel nicht in die Vorderstange fällt. Bringen Sie die Vorderstangen am vorgesehenen Platz an den Seiten des Rahmens an: ziehen Sie gleichzeitig das aus der linken Vorderstange kommende Kabel nach oben, damit es nicht zwischen Vorderstange und Rahmen

gerät. Ziehen Sie bitte die Befestigungsschrauben erst dann fest an, wenn Sie die Handstütze und das Cockpit angebracht haben.

QUERHANDSTÜTZE



Bringen Sie die quer verlaufende Handstütze so an, dass der gewölbte Teil auf den hinteren Teil des Gerätes zeigt. Befestigen Sie die Querhandstütze von beiden Seiten mit jeweils einer Sechser-Hohlschraube an den Vorderstangen. Sie erleichtern sich das Festschrauben, indem Sie die Befestigungsschraube in den Schraubenschlüsselkopf stecken, bevor Sie sie durch das Loch in der Vorderstange schieben.

COCKPIT



Verbinden Sie das aus der linken Vorderstange kommende Kabel mit dem Anschluss des Cockpitkabels und schieben Sie das verbundene Kabel zurück in die Vorderstange. Drücken Sie das Cockpit auf den Vorderstangen fest und befestigen Sie es mit vier Sechser-Hohlschrauben von der Rückseite des Cockpits. Bei Bedarf können Sie das Befestigen dadurch erleichtern, dass Sie die quer verlaufende Handstütze lockern: Lockern Sie die Handstütze jedoch nicht an dem Ende, an dem die schwarze Gummimutter sitzt.

Ziehen Sie jetzt die Befestigungsschrauben der Vorderstangen an. Sie ziehen die Befestigungsschrauben an, indem Sie den Kopf des Sechser-Schraubenschlüssels durch das Loch in der Vorderstange auf die Befestigungsschraube drücken. **BITTE BEACHTEN!** Drehen Sie beim Befestigen den Schraubenschlüssel gegen den Uhrzeigersinn! Vermeiden Sie ein zu starkes Anziehen der Schrauben. Drücken Sie die Kunststoff-

Abdeckkappen auf die Löcher in den Vorderstangen. Entfernen Sie die Schutzfolie von der Anzeige. Sie erleichtern sich das Befestigen, indem Sie die Vorderstangen beim Anziehen der Schrauben leicht nach vorne drücken.

SICHERHEITSSCHLÜSSEL

Der Laufbandtrainer funktioniert nur, wenn der Sicherheitsschlüssel ordnungsgemäss im Schloss steckt. Das Laufband bleibt automatisch stehen, sobald sich der Sicherheitsschlüssel nicht mehr im Schloss links am Cockpit befindet. Die Schnur des Sicherheitsschlüssels mit Hilfe des Clips an der Kleidung befestigen und den Sicherheitsschlüssel ins Schloss stecken. Sicherstellen, dass der Clip an der Schnur des Sicherheitsschlüssels gut an Ihrer Kleidung befestigt ist. Bei Zug sollte sich der Clip nicht von Ihrer Kleidung lösen, sondern der Sicherheitsschlüssel aus dem Schloss gezogen werden. Zum Auf- und Absteigen und bei der Bedienung der Tastatur immer an den Handläufen festhalten. Nie vom laufenden Laufband abspringen!

NETZKABEL

Das Netzkabel am Laufbandtrainer neben dem Netzschalter befindliche Buchse einstecken. Bevor Sie das Gerät an das Stromnetz anschliessen, stellen Sie sicher, dass die Voltzahl Ihres Stromnetzes mit der auf dem Typenschild übereinstimmt. Schalten Sie den Strom für das Gerät mit dem neben dem Stecker befindlichen Stromschalter ein. **BITTE BEACHTEN!** Das Gerät darf nur an eine geerdete Steckdose angeschlossen werden. Verwenden Sie keine Verlängerungsschnur, um das Gerät mit einer Steckdose zu verbinden.

ALLGEMEINES ZUM TRAINING

Vor Beginn des Trainings sollte man sich sorgfältig mit den Funktionen und der Handhabung des motorisierten Laufbandes vertraut gemacht haben.

Trainieren mit einem Laufband ist eine ausgezeichnete aerobe Trainingsform, d.h. das Training ist zwar leicht, erfordert aber eine längere Trainingsdauer. Das aerobe Training basiert auf einer Verbesserung der max. Sauerstoffaufnahme-fähigkeit, was zu einer Steigerung von Kondition und Ausdauer führt. Die Fähigkeit des Körpers, Fett zu verbrennen, hängt direkt von der Fähigkeit des Körpers ab, Sauerstoff zu transportieren.

Aerobes Training ist vor allem angenehm. Man sollte zwar schwitzen, aber der Puls darf nicht unangemessen ansteigen. Auf diese Weise hält man länger durch. Die empfohlene Trainingslänge beträgt drei Mal die Woche 30–60 Minuten – je nach Zielen, Kondition und Möglichkeiten.

Falls Sie auf dem Gehgeschwindigkeitsniveau trainieren möchten, können Sie den Abwechslungs- und Beanspruchungsgrad Ihrer Leistungen durch Veränderung des Anstiegswinkels Ihrer Laufunterlage steigern. Sie können Ihr Gehtraining auch dadurch vielseitiger gestalten, indem Sie gleichzeitig Ihre Armmuskeln mit kleinen Hanteln trainieren. Denken Sie dabei bitte an Ihr Gleichgewicht und an andere

Sicherheitsfaktoren.

Hinweise zu Ihrem Trainingsgerät und zum effektiven Training damit finden Sie auf der Internetseite von Tunturi www.tunturi.com.

FÜR IHRE GESUNDHEIT

- Dieses Gerät darf nur in Innenräumen benutzt werden; es ist nicht für den Einsatz in Feuchträumen vorgesehen.
- Stellen Sie das Gerät auf einen sicheren, ebenen Untergrund. Darauf achten, dass der Bereich neben und vor (mindestens 100 cm) und hinter (mindestens 100x200 cm) dem Laufbandtrainer frei ist. Sorgen Sie auch dafür, dass keine Kinder oder Haustiere in diesen Bereich kommen können, solange das Gerät in Betrieb ist.

FÜR DIE TRAININGSUMGEBUNG

- Es wird empfohlen, das Gerät auf eine Schutzmatte zu stellen.
- Vergewissern Sie sich, dass der Trainingsraum ausreichend belüftet ist. Um Erkältungen zu vermeiden, trainieren Sie nicht an einem zugigen Ort.

FÜR DEN GEBRAUCH

- Falls Sie Kinder an das Trainingsgerät lassen, müssen Sie deren geistige und körperliche Entwicklung und vor allem deren Temperament berücksichtigen, sie gegebenenfalls beaufsichtigen und sie vor allem auf die richtige Benutzung des Gerätes hinweisen.
- Das Gerät kann immer nur von einer Person benutzt werden.
- Lassen Sie ein laufendes Laufband nie unbeaufsichtigt.
- Tragen Sie während des Trainings angemessene Kleidung und Schuhe.
- Das Gerät darf nicht benutzt werden, falls es nicht völlig funktionstauglich ist..

TRAINING BEGINNEN

- Zur Vermeidung von Muskelkater Aufwärmtraining (langames Joggen oder Gehen) und Dehnübungen nicht vergessen.
- Mit gegrätschten Beinen auf die Seitenränder des Laufbandtrainers stellen. Das Gerät nie auf dem Laufband stehend in Bewegung setzen.
- Beginnen Sie Ihr Training mit einer langsamen Geschwindigkeit und steigern Sie dann Geschwindigkeit bzw. Steigungswinkel gradweise je nach Ihrer Kondition und wie Sie sich gerade fühlen.
- Zum Auf- und Absteigen und bei der Bedienung der Tastatur immer an den Handläufen festhalten. Nie vom laufenden Laufband abspringen!
- Halten Sie Rücken und Nacken gerade, so vermeiden Sie Verspannungen und Schmerzen in Nacken, Schultern und Rücken. Laufen Sie möglichst immer in der Mitte des Laufbandes und halten Sie einen solchen Abstand zum Cockpit, dass dieses Ihr Laufen nicht stört, Sie es aber trotzdem leicht erreichen.
- Sollten während Ihres Trainings Funktionsstörungen am Gerät auftreten, halten Sie sich bitte an den Handstützen fest und stellen sich sofort breitbeinig

auf die Seitenplatten der Laufunterlage. Stellen Sie das Laufband ab und sehen Sie in der Anleitung unter „Funktionsstörungen“ nach.

- Bei Übelkeit, Schwindelgefühl oder anderen ungewöhnlichen Symptomen während des Trainings, beenden Sie Ihre Übung und suchen Sie einen Arzt auf.

TRAINING BEENDEN

- Beenden Sie nicht abrupt Ihr Training, sondern fahren Sie schrittweise Ihre Geschwindigkeit zurück. Bitte vergessen Sie nicht das Stretching nach Beendigung des Trainings.
- Den Sicherheitsschlüssel immer abziehen.
- Das Gerät ausschalten.
- Das Netzkabel sowohl aus der Steckdose als auch aus der Buchse am Laufbandtrainer ziehen und an einem sicheren Ort, vor Kinderhand geschützt, aufbewahren.
- Das Gerät mit einem leicht angefeuchteten Wischtuch von eventueller Feuchtigkeit befreien. Keine Lösungsmittel verwenden!

HERZFREQUENZ

Egal, welches Ziel Sie erreichen wollen, die besten Resultate erzielen Sie mit einem Training auf dem richtigen Leistungsniveau, und das beste Mass ist dabei Ihre eigene Herzfrequenz. Als zuverlässigste Art der Herzfrequenzmessung hat sich die drahtlose Herzfrequenzabnahme erwiesen, bei der die Herzschläge mit einem Elektrodengurt von der Brust abgenommen werden. Vom Gurt werden die Impulse danach über ein elektromagnetisches Feld an den Empfänger in der Elektronikanzeige übertragen.

BITTE BEACHTEN! Falls Sie einen Herzschrittmacher tragen, lassen Sie sich von Ihrem Arzt bestätigen, dass Sie die drahtlose Herzfrequenzmessung benutzen können.

Zur drahtlosen Herzfrequenzmessung während des Trainings die gegen die Haut kommenden Elektroden am Elektrodengurt sorgfältig mit Wasser oder Speichel anfeuchten. Wird der Elektrodengurt über einem dünnen Hemd getragen, sind die gegen die Elektroden gerichteten Flächen ebenfalls zu befeuchten. Den Sender mit Hilfe des Gurtes fest unterhalb der Brustmuskulatur befestigen und darauf achten, dass der Gurt beim Training nicht verrutscht. Den Elektrodengurt jedoch nicht so festziehen, dass z. B. die Atmung erschwert wird. Der Sender kann den Pulswert bis zu einer Entfernung von zirka 1 m an den Empfänger übertragen.

Bei trockenen Elektroden wird kein Herzfrequenzwert angezeigt. Ggf. Elektroden wieder anfeuchten. Für eine zuverlässige Herzfrequenzmessung müssen die Elektroden auf Körpertemperatur angewärmt sein. Sind mehrere drahtlose Herzfrequenzmessgeräte gleichzeitig eingesetzt, sollten sie mindestens 1,5 m voneinander entfernt sein. Werden nur ein Herzfrequenzempfänger, aber mehrere Sender eingesetzt, darf sich nur eine Person, die einen Herzfrequenzsender trägt, während der Herzfrequenzmessung innerhalb der Reichweite des Senders befinden. Der Sender schaltet sich aus, wenn der Elektrodengurt abgenommen wird. Er kann

jedoch durch Feuchtigkeit neu aktiviert werden, was die Lebensdauer der Batterie verkürzt. Deswegen ist es wichtig, den Sender nach dem Training sorgfältig zu trocknen.

Achten Sie bei Ihrer Trainingskleidung darauf, dass bestimmte für Kleidungsstücke verwendete Fasern (z.B. Polyester, Polyamid) statische elektrische Ladungen verursachen, die ein Hindernis für eine zuverlässige Herzfrequenzmessung sein können. Beachten Sie auch, dass durch Handys, Fernsehgeräte und andere elektrische Geräte elektromagnetische Felder entstehen, die Probleme bei der Herzfrequenzmessung verursachen können.

Ermitteln Sie zuerst Ihre maximale Herzfrequenz. Wenn Sie diese nicht kennen, orientieren Sie sich bitte an der nachfolgenden Formel:

$$208 - 0,7 \times \text{ALTER}$$

Das Maximum unterscheidet sich von Mensch zu Mensch. Die maximale Herzfrequenz verringert sich pro Jahr durchschnittlich um einen Punkt. Wenn Sie zu einer der bereits genannten Risikogruppen zählen, bitten Sie den Arzt, Ihre maximale Herzfrequenz festzustellen.

Wir haben drei Herzfrequenzbereiche definiert, die Sie bei Ihrem zielgerichteten Training unterstützen.

ANFÄNGER: 50-60 % der maximalen Herzfrequenz

Sie ist ausserdem für Übergewichtige und Rekonvaleszenten geeignet sowie für diejenigen, die seit langem nicht mehr trainiert haben. Drei Trainingseinheiten pro Woche von jeweils einer halben Stunde Dauer sind angemessen. Regelmässiges Training verbessert die Leistungsfähigkeit der Atmungs- und Kreislauforgane ganz entscheidend.

FORTGESCHRITTENE: 60-70 % der maximalen Herzfrequenz

Perfekt geeignet zur Verbesserung und Erhaltung der Fitness. Damit stärken Sie Ihr Herz und Ihre Lungen mehr, als auf dem Anfängerniveau. Wir empfehlen mindestens 3 Trainingseinheiten pro Woche mit jeweils mindestens 30 Minuten. Wenn Sie Ihr Fitnessniveau noch weiter erhöhen möchten, trainieren Sie häufiger oder intensiver, aber nicht beides zugleich.

AKTIVE SPORTLER: 70-80 % der maximalen Herzfrequenz

Das Training auf diesem Niveau ist nur für durchtrainierte Sportler geeignet und setzt ein Langzeit-Ausdauertraining voraus.

COCKPIT

FUNKTIONSTASTEN

START

Beginnen Sie mit der gewählten Trainingseinheit.

TASTEN ZUR NEIGUNGSKONTROLLE

(HASE / SCHILDKRÖTE)

Mit der Hasentaste wird die Laufgeschwindigkeit in 0,1 km/h-Intervallen erhöht, mit der Schildkrötentaste in 0,1 km/h-Intervallen reduziert. Längeres Drücken der Tasten beschleunigt die Geschwindigkeitsänderung. Der Geschwindigkeitsbereich liegt zwischen 0,5-16,0 km/h

TASTEN ZUR NEIGUNGSKONTROLLE

Durch Drücken der Taste zum Anheben der Neigung können Sie den Neigungswinkel des Laufbandes in Stufen von 0,5 % erhöhen, durch Drücken der Taste zum Verringern der Neigung wiederum verringern Sie die Neigung in Stufen von 0,5 %. Der Neigungswinkel kann zwischen 0 % (horizontal) und 10 % eingestellt werden.

PFEILTASTEN

Bei den Benutzereinstellungen verändern Sie Einstellwerte mithilfe der Pfeiltasten. Im HRC-Modus können Sie den eingegebenen Pulswert während des Trainings mithilfe der Pfeiltasten verändern. In den Trainingsprogrammen können Sie das Anspruchsniveau mithilfe der Pfeiltasten skalieren. Durch Druck auf die "Pfeil oben" erhöhen Sie das Anspruchsniveau, durch Druck auf die "Pfeil unten" verringern Sie es.

STOP / PAUSE / RESET

Durch einmaliges Drücken der STOP-Taste bleibt das Laufband stehen und geht in einen 5 Minuten dauernden Wartemodus über. Vor Ablauf von 5 Minuten können Sie die unterbrochene Trainingseinheit durch Drücken der START-Taste wieder aufnehmen. Durch erneutes Drücken der STOP-Taste beenden Sie das Training. Ein Druck von 2 Sekunden auf die STOP-Taste setzt die Anzeige auf Null zurück, worauf die Anzeige in den Startzustand und das Laufband in die Startposition zurückkehrt.

SELECT

Vor Betätigung der START-Taste können Sie mit der SELECT-Taste einen Trainingsmodus wählen. Während des Trainings können Sie mit der SELECT-Taste die gewünschte Profilanzeige wählen.

ENTER

Bestätigen Sie Ihre Wahl (Trainingsmodus oder -programm, Benutzereinstellungen).

MEMORY

Mit Hilfe der MEM-Taste können Sie das beendete Training im Speicher des Cockpits abspeichern. Das Abspeichern setzt die Wahl eines Benutzercodes voraus. Für jeden Benutzercode stehen fünf Speicherplätze zur Verfügung.

PSC

In der PSC-Funktion regeln Sie die Geschwindigkeit des Laufbandes während des Trainings und ohne das Cockpit zu berühren, indem Sie Ihre Position auf dem Laufband verändern. Die PSC-Funktion setzt die Verwendung eines Herzfrequenz-Messgurts voraus. Sie können die PSC-Funktion beim Manual-Training, beim winkelgesteuerten HRC-Training, beim Rolling Hills-

Profil und bei beiden Konditionstests benutzen.

SET

Durch Drücken der SET-Taste können Sie Ihren Benutzercode wählen, die benutzerspezifischen Einstellungen programmieren, die gewünschten Maßeinheiten wählen und die Gesamtlaufstrecke bzw. -zeit des Geräts kontrollieren.

T-WARE PROGRAM

Dieses Gerät ist mit dem T-Ware Fitnesstest- und Kontrollprogramm kompatibel. Hinweise zum T-Ware und zum effektiven Training damit finden Sie auf der Internetseite von Tunturi www.tunturi.com.

ANZEIGEN

HEART RATE (Herzfrequenz)

45-220 bpm. Die Herzfrequenzlampe blinkt stets, wenn das Messgerät ein Frequenzsignal empfängt.

KCAL (Energieverbrauch)

0-9999 kcal, in Intervallen von 1 kcal

ELEVATION (Steigungswinkel)

0-10 %, in Intervallen von 0,5 %

TIME (Trainingszeit)

Anzeige mit Sekundengenauigkeit 00:00-99:59, danach mit Minutengenauigkeit h1:40 - h9:59.

DISTANCE (Strecke)

0.00-99.99 km, in Intervallen von 0,01 km

SPEED (Laufbandgeschwindigkeit)

0,5-16,0 km/h in Intervallen von 0,1 km/h. Die Signallampe bezeichnet die gewählte Maßeinheit (km/h, mph (miles per hour), pace (Schritt), bzw. Minuten/Kilometer).

GRAFIK/TEXTANZEIGE

Das T60F-Modell ist mit einer kombinierten Text- und Profilanzeige ausgestattet, die den Benutzer auf Englisch durch den Trainingsablauf führt und während des Trainings anleitet.

EINGABE DER BENUTZERANGABEN

Wir empfehlen Ihnen einen Benutzercode zu wählen und Ihre persönlichen Daten abzuspeichern. Diese Informationen werden u.a. bei der präziseren Einschätzung des Energieverbrauchs benötigt. Gleichzeitig können Sie auch die bei dem Laufband verwendeten Maßeinheiten eingeben sowie die Gebrauchsgesamtwerte des Laufbands ablesen. Durch Wählen eines Benutzercodes können Sie auch ein durchgeführtes Training abspeichern.

1. Bestätigen Sie die SET-Taste. Wählen Sie mit Hilfe der Pfeiltasten einen Benutzercode (1-4). Bestätigen Sie den eingegebenen Wert mit der ENTER-Taste. **BITTE BEACHTEN!** Die Alternative NO USER bezieht sich auf die Geräteeinstellungen und unterhalb dieser finden Sie die Gesamtlaufzeit bzw. -strecke des Geräts.
2. Stellen Sie die Masseinheiten ein (Metric = metrisches System, Imperial = englische Masseinheiten); verändern

Sie die Einstellungen mit den Pfeiltasten. Bestätigen Sie den eingegebenen Wert mit der ENTER-Taste, wonach Sie zur nächsten Einstellung gelangen.

3. Geben Sie Ihr Gewicht ein. Ändern Sie die Einstellungen mit der Pfeiltaste, bestätigen Sie den eingegebenen Wert mit der ENTER-Taste, worauf Sie zur nächsten Einstellung gelangen: Die Angaben werden zur Einschätzung des Energieverbrauchs benötigt.
4. Eingabe des Geschlechts (Male = Mann, Female = Frau). Ändern Sie die Einstellungen mit der Pfeiltaste, bestätigen Sie den eingegebenen Wert mit der ENTER-Taste, worauf Sie zur nächsten Einstellung gelangen: Die Angaben werden zur Einschätzung des Energieverbrauchs benötigt.
5. Geben Sie das Alter des Benutzers ein; verändern Sie die Einstellungen mit den Pfeiltasten, bestätigen Sie den eingestellten Wert mit der ENTER-Taste, worauf Sie zur nächsten Einstellung gelangen: Die Angaben werden zur Einschätzung des Energieverbrauchs benötigt.
6. Schalten Sie die Verwendung der Tonsignale ein (ON = Tonsignale werden verwendet, OFF = Tonsignale werden nicht verwendet); verändern Sie die Einstellungen mit den Pfeiltasten, bestätigen Sie den eingestellten Wert mit der ENTER-Taste, worauf Sie zur nächsten Einstellung gelangen. **BITTE BEACHTEN!** Bei den Trainingsprofilen zeigt das Cockpit mit einem Signalton im Voraus die Änderungen im Profil an.
7. Geben Sie die für die Anzeige gewünschte Maßeinheit ein (km/h, min/km, mph, min/mile). Ändern Sie die Einstellungen mit der Pfeiltaste, bestätigen Sie den eingegebenen Wert mit der ENTER-Taste, worauf Sie zur nächsten Einstellung gelangen: Die Angaben werden zur Einschätzung des Energieverbrauchs benötigt. **BITTE BEACHTEN!** Die jeweilige Maßeinheit können Sie auch während des Trainings bestimmen: bestätigen Sie die SET-Taste einmal und ändern Sie die Einstellungen mit der Pfeiltaste, bestätigen Sie den eingegebenen Wert mit der ENTER-Taste, worauf Sie zurück zum Training gelangen.
8. Mit Hilfe der Pfeiltasten geben Sie die Spitzengeschwindigkeit des Laufbands für die PSC- und herzfrequenzgesteuerten Trainingsphasen ein: in diesen Phasen wird die Geschwindigkeit auf Grund der Herzfrequenz des Benutzers geregelt und kann ohne eine vorgegebene Spitzengeschwindigkeit zu schnell für das Training werden. Der vorgegebene Wert für die Spitzengeschwindigkeit beträgt 12 km/h. Ändern Sie die Einstellungen mit der Pfeiltaste. Mit der ENTER-Taste gelangen Sie zur nächsten Anzeige.
9. Aus der Anzeige TOTAL TIME ersehen Sie die benutzerspezifische Gesamtlaufzeit des Laufbands. Mit der ENTER-Taste gelangen Sie zur nächsten Anzeige.
10. Aus der Anzeige TOTAL DISTANCE ersehen Sie die benutzerspezifische Gesamtlaufstrecke des Laufbands. Mit der ENTER-Taste gelangen Sie zurück zur Eingabe der Benutzerangaben, die Benutzereinstellungen verlassen Sie mit der START-Taste.

Wenn einmal Sie ihre Benutzerdaten eingegeben haben, haben Sie im Weiteren davon den Vorteil, dass Sie Ihr Training nach Eingabe Ihres Benutzercodes gleich beginnen können. Ein gewählter Benutzercode bleibt im Speicher des Cockpits so lange gespeichert, bis Sie

einen anderen Code verwenden, der Sicherheitsschlüssel abgezogen oder das Netzkabel des Geräts gezogen wird.

POSITION SPEED CONTROL (PSC)

In der Funktion Position Speed Control (PSC) regulieren Sie die Geschwindigkeit des Laufbandes durch Veränderung Ihrer Position auf dem Laufband. Die Laufbandgeschwindigkeit nimmt zu, wenn Sie sich auf dem vorderen Teil des Laufbandes befinden, nimmt ab, wenn Sie sich auf dem hinteren Teil des Laufbandes befinden, und bleibt unverändert, wenn sie sich im mittleren Teil des Laufbandes befinden.

BITTE BEACHTEN! Die Verwendung der PSC-Funktion setzt die Verwendung des Herzfrequenz-Messgurts T41 von Polar voraus! Als Zeichen der aktivierten Herzfrequenzmessung blinkt in der Heart-Rate-Anzeige ein Quadrat.

BITTE BEACHTEN! Befestigen Sie stets, wenn Sie die PSC-Funktion eingestellt haben, den Sicherheitsschlüssel sorgfältig an Ihrem Hemd. Stellen Sie die Länge des Bandes des Sicherheitsschlüssels so ein, dass er sich vom Anzeigegerät löst, wenn Sie sich zu weit hinten befinden.

BITTE BEACHTEN! Wenn Sie mit der PSC-Funktion trainieren, darf sich in der Nähe des Laufbandes (Mindestabstand 2 m) kein anderer Herzfrequenzsender befinden; die gleichzeitigen Signale von zwei Sendern gefährden die Benutzersicherheit, indem sie die Steuerung der PSC-Funktion stören!

Sie können die PSC-Funktion nur eingeben, wenn das Laufband steht.

1. Beginnen Sie mit dem Gebrauch der PSC-Funktion, indem Sie die Grenzwerte der Geschwindigkeitsbereiche festlegen. Betätigen Sie die PSC-Taste des Messgeräts.
2. Auf der Basis der zuletzt eingegebenen Einstellung erscheint in der Anzeige der Text PSC ON (Funktion an) oder PSC OFF (Funktion aus). Geben Sie mit den Pfeiltasten PSC ON ein und drücken Sie die ENTER-Taste.
3. In der Anzeige erscheint der Text PRESS ENTER TO CALIBRATE PSC OR START TO EXIT (Betätigen Sie die Enter Taste um zu den PSC-Einstellungen zu kommen; mit der START-Taste verlassen sie das Einstellungs Menü). Stellen Sie sich auf den mittleren Abschnitt des Laufbandes. Die Beschleunigungszone beginnt ca. 10 cm vom Messpunkt aus gesehen weiter vorne, die Verlangsamungszone ihrerseits 20 cm weiter hinten. Drücken Sie die ENTER-Taste, worauf in der Anzeige der Text PLEASE WAIT 8 erscheint und das Messgerät Ihre Entfernung aufgrund des Herzfrequenzsignals misst. Nach Ablauf der Messung von 8 Sekunden erscheint in der Anzeige der Text CALIBRATION READY PRESS START (Einstellung fertig, starten Sie die Funktion mit der START-Taste).
4. Wenn das Messgerät das Herzfrequenzsignal nicht empfängt oder bei der Entfernungsmessung ein Problem auftaucht, kehrt der Messgerät in die Anzeige CALIBRATE zurück. In diesen Störfällen erscheint für 5 Sekunden in der Anzeige der Text CHECK

TRANSMITTER. Vergewissern Sie sich dann, dass Sie die Hinweise zum Gebrauch des Messgurts befolgt haben. Wenn die Grenzen der Geschwindigkeitsbereiche Ihrer Ansicht nach passend sind, können Sie in Zukunft die PSC-Funktion starten, indem Sie PSC ON wählen, die ENTER- und START-Tasten drücken und die gewünschte Trainingsform wählen. Falls Sie die Grenzen der Geschwindigkeitszonen ändern wollen, wiederholen Sie bitte die Schritte 1-3 und platzieren Sie sich in der Messphase an einer geeigneteren Stelle auf dem Laufband.

5. Wählen Sie die Trainingsweise manuell, Rolling Hills, eine auf der Einstellung des Winkels basierende Trainingsweise mit unveränderter Herzfrequenz oder einen Konditionstest. Dabei können Sie die Laufbandgeschwindigkeit mit Hilfe der PSC-Funktion steuern. Die Aktivierung der PSC-Funktion wird durch die leuchtende PSC Signallampe in der Anzeige signalisiert. Die Aktivierung der PSC-Funktion wird durch die Balken auf der Anzeige angezeigt. Die Balken zeigen an, in welchem Geschwindigkeitsbereich Sie sich gerade befinden (Hase = die Geschwindigkeit nimmt zu, - = die Geschwindigkeit bleibt gleich, Schildkröte = die Geschwindigkeit nimmt ab).

6. Starten Sie das gewählte Trainingsprogramm durch Betätigung der START-Taste und stellen Sie die Laufbandgeschwindigkeit ein, indem Sie auf dem Laufband weiter vorn oder hinten stehen. Beachten Sie, dass während er aktivierten PSC-Funktion auch die Tasten zur Geschwindigkeitsregulierung (Schildkröte/Hase) funktionieren. **BITTE BEACHTEN!** Falls Ihnen die PSC-Funktion nicht schon von früher bekannt ist, empfehlen wir das Kennenlernen der Funktion bei langsamem Trainingstempo.

7. Die Nutzung der PSC-Funktion beenden Sie, indem Sie zum Ende des Trainings zweimal die STOP-Taste betätigen.

WAHL DER TRAININGSEINHEIT

Drücken Sie die SELECT-Taste bis die Signallampe bei der gewünschten Trainingseinheit leuchtet. Es stehen zur Auswahl:

1. Das Manual-Training, bei dem Sie während des Trainings selbst die Geschwindigkeit und den Neigungswinkel wählen.
2. Das herzfrequenzgesteuerte HRC-Training, bei dem das Laufband die Geschwindigkeit / Neigung in der Weise steuert, dass Sie ständig auf dem von Ihnen gewählten Herzfrequenzniveau trainieren; herzfrequenzgesteuerte Profile erfordern stets die Verwendung eines Herzfrequenzmessgurts.
3. Konditionstest: Das Laufband bietet Ihnen zwei alternative Tests, den 2-km-Gehtest oder den zwölfminütigen Cooper-Lauftest.
4. Ein fertiges Trainingsprofil, bei dem Geschwindigkeit / Neigungswinkel oder Frequenzniveau in einer im voraus festgelegten Weise wechseln.

MANUAL-TRAINING

SCHNELLSTART:

1. Das Manual-Training ist die Voreinstellung des Laufbandes. Sie können das Training direkt durch Druck auf die Start-Taste beginnen.

BENUTZERSPEZIFISCHER START:

2. Falls Sie Ihre Benutzerdaten nutzen wollen oder Ihre Trainingsphase abspeichern, geben Sie bitte Ihre Benutzerdaten bzw. Ihren Benutzercode (1-4) ein. Drücken Sie die START-Taste zur Bestätigung Ihrer Wahl.
3. Drücken Sie die SELECT-Taste, bis die Manual-Signallampe aufleuchtet.
4. Drücken Sie die START-Taste; das Laufband setzt sich mit einer Geschwindigkeit von 1,5 km/h in Bewegung. Sie können die Geschwindigkeit mit den Hase-/Schildkrötetasten und mit der PSC-Funktion verändern. Sie können die Laufbandneigung mit den Tasten zur Neigungskontrolle verändern.
5. Die Profilanzeige speichert im Minutenabstand die Geschwindigkeitsdaten des Trainings. Nach 20 Minuten verschiebt sich die Anzeige in der Weise nach links, dass jeweils die Geschwindigkeitsdaten der letzten 20 Minuten angezeigt werden. Bei Drücken der SELECT-Taste während des Trainings zeigt das Cockpit die gesammelten Geschwindigkeits-, Steigungs- und Pulsprofile an.
6. Durch einmalige Betätigung der STOP-Taste bleibt das Laufband stehen und geht in einen 5 Minuten dauernden Wartezustand über. Während dieser Zeit können Sie das unterbrochene Training durch Betätigung der START-Taste fortsetzen. Im Wartezustand können Sie ebenfalls Ihr Training im Cockpit abspeichern (siehe Speicherfunktion). Durch zweimaliges Drücken der STOP-Taste beenden Sie das Trainingsprogramm, worauf das Cockpit Ihre absolvierte Leistung anzeigt und auf die Startposition zurück springt.

HERZFREQUENZGESTEUERTES

TRAINING

Trainingseinheiten mit konstanter Herzfrequenz ermöglichen das Training mit einem zuvor gewählten Frequenzniveau. Herzfrequenzgesteuerte Profile setzen stets die Verwendung eines Herzfrequenzmessgurts. Wenn die Herzfrequenzmessung nicht gelingt, erscheint im Textfeld die Fehleranzeige CHECK TRANSMITTER. Vergewissern Sie sich dann, dass Sie die Hinweise zum Gebrauch des Messgurts befolgt haben.

1. Falls Sie Ihre Benutzerdaten nutzen wollen oder Ihre Trainingsphase abspeichern, geben Sie bitte Ihre Benutzerdaten bzw. Ihren Benutzercode (1-4) ein. Drücken Sie die START-Taste zur Bestätigung Ihrer Wahl.
2. Drücken Sie die SELECT-Taste, bis die HRC-Signallampe aufleuchtet. Drücken Sie die ENTER-Taste zur Bestätigung Ihrer Wahl.
3. Wählen Sie mit den Pfeiltasten ein herzfrequenzgesteuertes Profil:
 - a) Tempo: Die Kontrolle des Frequenzniveaus geschieht

durch die Veränderung der Laufbandgeschwindigkeit. Falls gewünscht, kann der Steigungswinkel während der Training verändert werden.

- b) Steigung: Die Kontrolle des Frequenzniveaus erfolgt durch die Veränderung der Laufflächensteigung. Bei dieser Trainingsweise regeln Sie die Trainingsform regeln Sie selbst die Geschwindigkeit des Laufbandes mit der PSC-Funktion oder mit der Hasen- und Schildkrötentaste
- c) Kombination: Die Kontrolle des Herzfrequenzniveaus beruht auf der automatischen, gleichmässigen Veränderung des Laufflächensteigungswinkels und der Laufgeschwindigkeit.
4. Drücken Sie die ENTER-Taste zur Bestätigung Ihrer Wahl.
5. Stellen Sie den gewünschten Herzfrequenzwert (80-180) mit den Pfeiltasten.
6. Beginnen Sie mit dem Programm durch Betätigung der START-Taste. Während des Trainings können Sie das Frequenzniveau mit Hilfe der Pfeiltasten verändern.
7. Die Profilanzeige speichert im Minutenabstand die Geschwindigkeitsdaten des Trainings. Nach 20 Minuten verschiebt sich die Anzeige in der Weise nach links, dass jeweils die Geschwindigkeitsdaten der letzten 20 Minuten angezeigt werden. Bei Drücken der SELECT-Taste während des Trainings zeigt das Cockpit die gesammelten Geschwindigkeits-, Steigungs- und Pulsprofile an.
8. Durch einmalige Betätigung der STOP-Taste bleibt das Laufband stehen und geht in einen 5 Minuten dauernden Wartezustand über. Während dieser Zeit können Sie das unterbrochene Training durch Betätigung der START-Taste fortsetzen. Im Wartezustand können Sie ebenfalls Ihr Training im Cockpit abspeichern (siehe Speicherfunktion). Durch zweimaliges Drücken der STOP-Taste beenden Sie das Trainingsprogramm, worauf das Cockpit Ihre absolvierte Leistung anzeigt und auf die Startposition zurück springt.

KONDITIONSTEST

Dieses Laufband bietet Ihnen zwei verschiedene Konditionsteste. Der 2-km-Gehtest ist von seiner Beanspruchung her leichter und wird in schnellem Gehtempo absolviert. Für Personen mit guter Kondition eignet sich der zwölfminütige Cooper-Lauftest besser.

1. Drücken Sie die SELECT-Taste, bis die Signallampe des Textes Test aufleuchtet. Drücken Sie die ENTER-Taste zur Bestätigung Ihrer Wahl.
2. Drücken Sie die SELECT-Taste, mit deren Hilfe können Sie zwischen dem 2-km-Gehtest und dem Cooper-Test wählen. Drücken Sie die ENTER-Taste zur Bestätigung Ihrer Wahl.

2 KM GEHTEST

Der Gehtest setzt die Verwendung eines Herzfrequenzmessgeräts voraus. Beim Gehtest wird das Konditionsniveau auf Basis der Herzfrequenz während des Gehens und der für die 2 km gebrauchten Zeit errechnet. Dem Test geht eine dreiminütige Aufwärmphase voraus. Wir empfehlen auch, nach dem Test kontinuierlich weiterzugehen, so dass Ihre Herzfrequenz allmählich zum Normalwert zurückkehrt.

Auf Grund der Ergebnisse zeigt das Cockpit Ihre geschätzte maximale Sauerstoffaufnahme an.

BEGINN DES GEHTESTS:

1. Das Textfeld des Cockpits erfragt die Länge der Testperson (HEIGHT): Geben Sie mit den Pfeiltasten Ihre Länge ein. Bestätigen Sie Ihre Eingabe mit der ENTER-Taste.
2. Das Textfeld des Cockpits erfragt das Geschlecht der Testperson (SEX): Geben Sie mit den Pfeiltasten Ihr Geschlecht ein. Bestätigen Sie Ihre Eingabe mit der ENTER-Taste.
3. Das Textfeld des Cockpits erfragt das Gewicht der Testperson (WEIGHT): Geben Sie mit den Pfeiltasten Ihr Gewicht ein. Bestätigen Sie Ihre Eingabe mit der ENTER-Taste.
4. Das Textfeld des Cockpits erfragt das Alter der Testperson (AGE): Geben Sie mit den Pfeiltasten Ihr Alter ein. Bestätigen Sie Ihre Eingabe mit der ENTER-Taste.
5. Das Textfeld des Cockpits zeigt an, dass Sie jetzt mit der dreiminütigen Aufwärmphase (WARM UP) beginnen können. Beginnen Sie die Aufwärmphase durch Drücken der START-Taste.
6. Der Steigungswinkel der Laufunterlage stellt sich automatisch auf 1 % ein, womit im Test der Windwiderstand simuliert wird. Regeln Sie die Geschwindigkeit mit Hilfe der Geschwindigkeitstasten. Wir empfehlen zum Aufwärmen eine etwas höher als durchschnittliche Gehgeschwindigkeit.
7. Während der Aufwärmphase läuft die Stoppuhr drei Minuten lang rückwärts. Zeigt die Uhr 0:00, ertönt ein Signalton und der eigentliche Test beginnt (TEST STARTED!).

VERLAUF DES GEHTESTS:

1. Ziel dieses Testes ist es, möglichst schnell eine 2 km lange Strecke zu gehen. Die Geschwindigkeit regeln Sie selbst, mit Hilfe der Geschwindigkeitstasten. Denken Sie bitte daran bei diesem Test nicht zu laufen!
2. Falls die Herzfrequenzmessung nicht funktionieren sollte, erscheint im Textfeld des Cockpits der Text CHECK TRANSMITTER. Vergewissern Sie sich dann, dass Sie die Hinweise zum Gebrauch des Messgurts befolgt haben.
3. Nach Vollenden der 2 km langen Strecke ertönt ein Signalton. Darauf beginnt die vorprogrammierte Auslaufphase von 5 Minuten, an deren Ende das Laufband stehen bleibt. Das Textfeld des Cockpits zeigt das Testergebnis als maximale Sauerstoffaufnahme und eine Bewertung Ihres Konditionsniveaus an. Das Textfeld zeigt das Testergebnis als maximale Sauerstoffaufnahme an. Vergleichen Sie Ihr Ergebnis mit der beiliegenden Tabelle über die Konditionsniveaustufen bei verschiedenen Altersgruppen.

COOPER-TEST

Beim Cooper-Test wird das Konditionsniveau auf Grund einer in zwölf Minuten gelaufenen

Strecke errechnet: je länger die zurückgelegte Strecke ist, in desto besserer Kondition befinden Sie sich. Dem Test geht eine dreiminütige Aufwärmphase voraus. Wir empfehlen auch, nach dem Test kontinuierlich weiterzugehen, so dass Ihre Herzfrequenz allmählich zum Normalwert zurückkehrt. Auf Grund der Ergebnisse zeigt das Cockpit Ihre geschätzte maximale Sauerstoffaufnahme an.

BEGINN DES COOPER-TESTS:

1. Das Textfeld des Cockpits zeigt COOPER SELECTED an. Drücken Sie die ENTER-Taste zur Bestätigung Ihrer Wahl.
2. Das Textfeld des Cockpits erfragt das Geschlecht der Testperson (SEX): Geben Sie mit den Pfeiltasten Ihr Geschlecht ein. Bestätigen Sie Ihre Eingabe mit der ENTER-Taste.
3. Das Textfeld des Cockpits erfragt das Alter der Testperson (AGE): Geben Sie mit den Pfeiltasten Ihr Alter ein. Bestätigen Sie Ihre Eingabe mit der ENTER-Taste.
4. Das Textfeld des Cockpits zeigt an, dass Sie jetzt mit der dreiminütigen Aufwärmphase (WARM UP) beginnen können. Beginnen Sie die Aufwärmphase durch Drücken der START-Taste.
5. Der Steigungswinkel der Laufunterlage stellt sich automatisch auf 1 % ein, womit im Test der Windwiderstand simuliert wird. Regeln Sie die Geschwindigkeit mit Hilfe der Geschwindigkeitstasten

HERREN / MAXIMALE SAUERSTOFF-AUFNAHMEKAPAZITÄT (VO2MAX) 1 = SEHR SCHLECHT - 7 = SEHR GUT							
ALTER	1	2	3	4	5	6	7
18-19	<33	33-38	39-44	45-51	52-57	58-63	>63
20-24	<32	32-37	38-43	44-50	51-56	57-62	>62
25-29	<31	31-35	36-42	43-48	49-53	54-59	>59
30-34	<29	29-34	35-40	41-45	46-51	52-56	>56
35-39	<28	28-32	33-38	39-43	44-48	49-54	>54
40-44	<26	26-31	32-35	36-41	42-46	47-51	>51
45-49	<25	25-29	30-34	35-39	40-43	44-48	>48
50-54	<24	24-27	28-32	33-36	37-41	42-46	>46
55-59	<22	22-26	27-30	31-34	35-39	40-43	>43
60-65	<21	21-24	25-28	29-32	33-36	37-40	>40
DAMEN / MAXIMALE SAUERSTOFF-AUFNAHMEKAPAZITÄT (VO2MAX) 1 = SEHR SCHLECHT - 7 = SEHR GUT							
ALTER	1	2	3	4	5	6	7
18-19	<28	28-32	33-37	38-42	43-47	48-52	>52
20-24	<27	27-31	32-36	37-41	42-46	47-51	>51
25-29	<26	26-30	31-35	36-40	41-44	45-49	>49
30-34	<25	25-29	30-33	34-37	38-42	43-46	>46
35-39	<24	24-27	28-31	32-35	36-40	41-44	>44
40-44	<22	22-25	26-29	30-33	34-37	38-41	>41
45-49	<21	21-23	24-27	28-31	32-35	36-38	>38
50-54	<19	19-22	23-25	26-29	30-32	33-36	>36
55-59	<18	18-20	21-23	24-27	28-30	31-33	>33
60-65	<16	16-18	19-21	22-24	25-27	28-30	>30

oder der SPEED-Taste. Wir empfehlen zum Aufwärmen eine etwas höher als durchschnittliche Gehgeschwindigkeit.

6. Während der Aufwärmphase läuft die Stoppuhr drei Minuten lang rückwärts. Zeigt die Uhr 0:00, ertönt ein Signalton und der eigentliche Test beginnt (TEST STARTED!).

VERLAUF DES COOPER-TESTS:

1. Ziel des Tests ist es eine möglichst lange Strecke in zwölf Minuten zu laufen. Stellen Sie die Geschwindigkeit mit Hilfe der Tasten zur Geschwindigkeitseinstellung oder mit der SPEED-Taste ein.
2. Das Textfeld des Cockpits ermittelt das Testergebnis auf Grund der verwendeten Geschwindigkeit.
3. Nach Ablauf der zwölf Minuten ertönt ein Signalton. Darauf beginnt die vorprogrammierte Auslaufphase von 5 Minuten, an deren Ende das Laufband stehen bleibt. Das Textfeld des Cockpits zeigt das Testergebnis als maximale Sauerstoffaufnahme und eine Bewertung Ihres Konditionsniveaus an. Vergleichen Sie Ihr Ergebnis mit der beiliegenden Tabelle über die Konditionsniveaustufen bei verschiedenen Altersgruppen.

TRAININGSPROFILE

Zur Sicherstellung eines vielseitigen, angenehmen und zielorientierten Trainings hat Tunturi in verschiedener Weise wirkende fertige Trainingsprofile entwickelt. Das Anzeigergerät informiert im voraus mit einem Tonsignal über Profilveränderungen. Die Profilanzeige zeigt die Form des Profils sowie die Daten des nächsten Profildrängers. Falls Sie Ihre Benutzerdaten nutzen wollen oder Ihre Trainingsphase abspeichern, geben Sie bitte Ihre Benutzerdaten bzw. Ihren Benutzercode (1-4) ein.

A. Bei den Kombinationsprofilen 1-3 handelt es sich um vom Anforderungsgrad her unterschiedliche Trainingsprofile, bei denen Geschwindigkeit und Steigungswinkel fertig eingestellt sind. Sie können noch die Geschwindigkeit stufenweise auf das gewünschte Niveau einstellen und die Trainingsdauer in Zeit oder Strecke eingeben. Diese Profile erfordern nicht die Verwendung eines Frequenzmessgurts, aber der Frequenzmessgurt bietet interessante zusätzliche Informationen zu Ihrer Leistung.

1. Drücken Sie die SELECT-Taste, bis die Signallampe des gewünschten Profils (1-3) aufleuchtet. Drücken Sie die ENTER-Taste zur Bestätigung Ihrer Wahl.
2. Geben Sie die Strecke bzw. Dauer des Profils ein. Durch Betätigen der SELECT-Taste gelangen Sie von dem einen Eingabewert zum nächsten. Die zuletzt eingestellte Dauer erscheint in der Nummernanzeige. Sie können den Wert mit den Pfeiltasten verändern (Grenzwerte 10 Minuten (10:00)- 3 Stunden (h3:00), Veränderungen in Stufen zu 5 Minuten / 3 km – 42 km, Veränderungen in Stufen zu 1 km).
3. Drücken Sie die START-Taste; das Training beginnt, und die Matte setzt sich in Bewegung. Sie können das Geschwindigkeitsniveau des Profils mit Hilfe der Pfeiltasten in Stufen von 1 % nach oben und unten verändern. Bei Betätigen der SELECT-Taste während des Trainings zeigt das Cockpit die gesammelten

Geschwindigkeits-, Steigungswinkel- und Pulsprofile an.

4. Durch einmalige Betätigung der STOP-Taste bleibt das Laufband stehen und geht in einen 5 Minuten dauernden Wartezustand über. Während dieser Zeit können Sie das unterbrochene Training durch Betätigung der START-Taste fortsetzen. Im Wartezustand können Sie ebenfalls Ihr Training im Cockpit abspeichern (siehe Speicherfunktion). Durch zweimaliges Drücken der STOP-Taste beenden Sie das Trainingsprogramm, worauf das Cockpit Ihre absolvierte Leistung anzeigt und auf die Startposition zurück springt.

5. Nach Beendigung des Programms beginnt die vorprogrammierte Auslaufphase, an deren Ende das Laufband stehen bleibt. Auch jetzt können Sie Ihr Training im Cockpit abspeichern (siehe Speicherfunktion).

B. Bei Rolling-Hills handelt es sich um eine Art von Intervalltraining, bei dem Sie während des Trainings die Länge und Dauer der zu laufenden Strecke eingeben und die Geschwindigkeit des Laufbands selbst bestimmen können. Beim Rolling-Hills-Training können Sie Ihre Geschwindigkeit auch mit Hilfe der PSC-Funktion regeln. Falls Sie die PSC-Funktion nicht benutzen, erfordert dieses Profil auch nicht den Gebrauch eines Herzfrequenzmessgurts, aber ein Messgurt bietet Ihnen interessante zusätzliche Informationen zu Ihrer Leistung.

1. Drücken Sie die SELECT-Taste, bis die Signallampe des gewünschten Profils (4) aufleuchtet. Drücken Sie die ENTER-Taste zur Bestätigung Ihrer Wahl.
2. Geben Sie die Strecke bzw. Dauer des Profils ein. Durch Betätigen der SELECT-Taste gelangen Sie von dem einen Eingabewert zum nächsten. Die zuletzt eingestellte Dauer erscheint in der Nummernanzeige. Sie können den Wert mit den Pfeiltasten verändern (Grenzwerte 10 Minuten (10:00)- 3 Stunden (h3:00), Veränderungen in Stufen zu 5 Minuten / 3 km – 42 km, Veränderungen in Stufen zu 1 km).
3. Drücken Sie die START-Taste; das Training beginnt, und die Matte setzt sich in Bewegung. Stellen Sie die Geschwindigkeit mit Hilfe der Tasten zur Geschwindigkeitseinstellung oder mit PSC ein. Bei Betätigen der SELECT-Taste während des Trainings zeigt das Cockpit die gesammelten Steigungswinkel- und Pulsprofile an.
4. Sie können das Steigungsprofil mit Hilfe der Pfeiltasten stufenweise verändern.
5. Durch einmalige Betätigung der STOP-Taste bleibt das Laufband stehen und geht in einen 5 Minuten dauernden Wartezustand über. Während dieser Zeit können Sie das unterbrochene Training durch Betätigung der START-Taste fortsetzen. Im Wartezustand können Sie ebenfalls Ihr Training im Cockpit abspeichern (siehe Speicherfunktion). Durch zweimaliges Drücken der STOP-Taste beenden Sie das Trainingsprogramm, worauf das Cockpit Ihre absolvierte Leistung anzeigt und auf die Startposition zurück springt.
6. Nach Beendigung des Programms beginnt die vorprogrammierte Auslaufphase, an deren Ende das Laufband stehen bleibt. Auch jetzt können Sie Ihr Training im Cockpit abspeichern (siehe Speicherfunktion).

C. Die HRC Profile sind unterschiedliche Trainingsprofile mit Herzfrequenzsteuerung, bei denen Sie die Dauer der Trainingsabschnitte einstellen können. Die herzfrequenzgesteuerten Profile setzen jeweils die Verwendung eines Herzfrequenzmessgurts voraus. Wenn die Herzfrequenzmessung nicht gelingt, erscheint im Textfeld die Fehleranzeige CHECK TRANSMITTER. Vergewissern Sie sich dann, dass Sie die Hinweise zum Gebrauch des Messgurts befolgt haben.

1. Drücken Sie die SELECT-Taste, bis die Signallampe neben des gewünschten Profils (5-8) aufleuchtet. Drücken Sie die ENTER-Taste zur Bestätigung Ihrer Wahl.
2. Wählen Sie mit den Pfeiltasten das Modus zur Herzfrequenzsteuerung. Drücken Sie die ENTER-Taste zur Bestätigung Ihrer Wahl.
3. Geben Sie die Strecke bzw. Dauer des Profils ein. Durch Betätigen der SELECT-Taste gelangen Sie von dem einen Eingabewert zum nächsten. Die zuletzt eingestellte Dauer erscheint in der Nummernanzeige. Sie können den Wert mit den Pfeiltasten verändern (Grenzwerte 10 Minuten (10:00)- 3 Stunden (h3:00), Veränderungen in Stufen zu 5 Minuten / 3 km – 42 km, Veränderungen in Stufen zu 1 km).
4. Drücken Sie die START-Taste; das Training beginnt, und die Matte setzt sich in Bewegung. Sie können das Geschwindigkeitsniveau des Profils mit Hilfe der Pfeiltasten in Stufen von 1 % nach oben und unten verändern.
5. Durch einmalige Betätigung der STOP-Taste bleibt das Laufband stehen und geht in einen 5 Minuten dauernden Wartezustand über. Während dieser Zeit können Sie das unterbrochene Training durch Betätigung der START-Taste fortsetzen. Im Wartezustand können Sie ebenfalls Ihr Training im Cockpit abspeichern (siehe Speicherfunktion). Durch zweimaliges Drücken der STOP-Taste beenden Sie das Trainingsprogramm, worauf das Cockpit Ihre absolvierte Leistung anzeigt und auf die Startposition zurück springt.
6. Nach Beendigung des Programms beginnt die vorprogrammierte Auslaufphase, an deren Ende das Laufband stehen bleibt. Auch jetzt können Sie Ihr Training im Cockpit abspeichern (siehe Speicherfunktion).

PROFILE

(Die Abbildungen finden Sie am Ende dieser Anleitung)

PROFIL 1 (Hill Walk). Dieses Profil besteht aus regelmässigen Steigungsvarianten und einer ziemlich gleichmäßigen raschen Gehgeschwindigkeit. Das Profil eignet sich für Anfänger und Personen, die gerne spazieren gehen. Bei der vorgegebenen Einstellung beträgt die Durchschnittsgeschwindigkeit 5,2 km/h und die Spitzengeschwindigkeit 5,8 km/h. Die durchschnittliche Steigung beträgt 2,7%.

PROFIL 2 (Hill Jog). Dieses Profil besteht aus abwechslungsreichen Steigungsvarianten und einem ziemlich gleichmäßigen, leichten Jogging. Das Profil eignet sich für Anfänger und dient der Aufrechterhaltung der Kondition. Bei der vorgegebenen

Einstellung beträgt die Durchschnittsgeschwindigkeit 6,9 km/h und die Spitzengeschwindigkeit 7,2 km/h. Die durchschnittliche Steigung beträgt 1,9%.

PROFIL 3 (Hill Run). Dieses Profil besteht aus einer gleichmässigen geringen Steigung und einer gleichmässig variierenden raschen Laufgeschwindigkeit. Das Profil eignet sich für Dauerläufer. Bei der vorgegebenen Einstellung beträgt die Durchschnittsgeschwindigkeit 11,6 km/h und die Spitzengeschwindigkeit 12,5 km/h. Die durchschnittliche Steigung beträgt 1,8%.

PROFIL 4 (Rolling Hills). Streckenprofil: Sie können die Kilometerlänge des Profils selbst einstellen. Das Profil wurde vor allem für das Leistungssporttraining entwickelt, bringt aber auch Abwechslung ins Konditionstraining. Die maximale Streckenlänge beträgt 42 km, bei der vorgegebenen Einstellung 3 km. Einstellungsmöglichkeiten in Stufen zu 1 km. Die Steigungseinstellungen sind von den jeweiligen Intervallen abhängig, die durchschnittliche Steigung beträgt 2,4%.

PROFIL 5 (Fatburner 1). Kräftesparendes Pulsprofil, das auf einem gleichmäßigen Steigen und Sinken des Pulslevels basiert. Dieses Profil eignet sich zur Gewichtskontrolle. Bei der vorgegebenen Einstellung beträgt der Durchschnittspuls 114, der Spitzenpuls 125.

PROFIL 6 (Fatburner 2). Mittelschweres Pulsprofil, das auf einem intervallabhängigen Steigen und Sinken des Pulslevels basiert. Dieses Profil eignet sich sowohl für das Konditionstraining, wie zur Gewichtskontrolle. Bei der vorgegebenen Einstellung beträgt der Durchschnittspuls 122, der Spitzenpuls 136.

PROFIL 7 (Cardio). Mittelschweres Pulsprofil, das auf einem gleichmäßigen Steigen und Sinken des Pulslevels basiert. Das Pulslevel verbleibt fast während des gesamten Trainings zwischen 130 und 140. Dieses Profil eignet sich ausgezeichnet für das Konditionstraining. Bei der vorgegebenen Einstellung beträgt der Durchschnittspuls 129, der Spitzenpuls 145.

PROFIL 8 (Fit). Hocheffektives Pulsprofil, das auf dem gleichmäßigen Steigen und Sinken des Pulslevels basiert. Das Pulslevel verbleibt fast während des gesamten Trainings zwischen 135 und 145. Dieses Profil eignet sich zum Konditionstraining für Personen mit bereits guter Kondition, sowie zum Konditionsaufbau. Bei der vorgegebenen Einstellung beträgt der Durchschnittspuls 133, der Spitzenpuls 150.

SPICHERFUNKTION

Die Speicherfunktion setzt die Verwendung eines Benutzercodes voraus: das Training wird unter dem gewählten Benutzercode gespeichert. Sie können im Cockpit bis zu fünf Trainingseinheiten pro Benutzercode abspeichern.

SPICHERN EINES EIGENEN PROFILS

1. Vorgegebene Profile können Sie direkt am Ende des jeweiligen Profils oder früher nach einmaligem

Drücken der STOP-Taste abspeichern. Manual- und HRC-Trainingseinheiten beenden Sie durch einmaliges Drücken der STOP-Taste, wonach Sie die jeweilige Einheit abspeichern können. Zum Speichern gelangen Sie durch Drücken der MEM-Taste.

2. Das Textfeld des Cockpits fragt Sie, an welchem Speicherplatz Sie das Training speichern wollen (SAVE AS OWN 1-5). Wählen Sie mit den Pfeiltasten den gewünschten Speicherplatz und bestätigen Sie Ihre Wahl durch Drücken der ENTER-Taste: Ihr Training wird jetzt an diesem Platz gespeichert.

3. Sind alle Speicherplätze schon belegt, ersetzen Sie eins der früheren Profile durch ein neues. Das Textfeld des Cockpits bittet Sie dann um eine Bestätigung (REPLACE OWN 1-5). Bestätigen Sie Ihre Wahl durch Drücken der ENTER-Taste: Ihr Training wird jetzt an diesem Platz gespeichert.

4. Das Textfeld des Cockpits bestätigt die Speicherung (SAVED AS OWN 1-5). Das Cockpit schaltet sich automatisch auf Startposition.

BITTE BEACHTEN! In den Profilen können höchstens 30 Änderungen der Geschwindigkeit oder des Steigungswinkels gespeichert werden. Das zu speichernde Profil muss mindestens 10 Minuten lang sein.

VERWENDUNG EINES EIGENEN PROFILS

1. Geben Sie Ihren Benutzercode ein.
2. Betätigen Sie die MEM-Taste.
3. Drücken Sie die SELECT-Taste bis die Signallampe des von Ihnen gewünschten eigenen Profils (O1-5 MEMORY) aufleuchtet. Drücken Sie die ENTER-Taste um Ihre Wahl zu bestätigen. Wählen Sie RERUN (Verwendung des Profils ohne Änderungen) oder RACE (Verwendung des Profils als Basis für die Wettkampffunktion) mit der SELECT-Taste. Drücken Sie die ENTER-Taste zur Bestätigung Ihrer Wahl.
4. Starten Sie Ihr Profil, indem Sie die START-Taste betätigen.
5. In der RERUN-Funktion können Sie Ihr Profil stufenweise verändern und es dann so verändert wieder abspeichern.

WETTKAMPFFUNKTION

Durch Wählen der RACE-Alternative beim Menü einer eigenen Geschwindigkeits-/ Steigungsprofile können Sie gegen Ihre eigenen für dieses Profil abgespeicherten Leistungen antreten. Das Ziel ist, dieses Profil möglichst schnell zu laufen.

1. Starten Sie Ihr Profil, indem Sie die START-Taste betätigen.
2. Stellen Sie Ihre Geschwindigkeit bitte manuell oder mit Hilfe der PSC-Funktion nach Empfinden ein.
3. Die Cockpitanzeige zeigt während des Laufens den Verlauf des Profils, noch vor Ihnen liegende Veränderungen und Ihre Position im Verhältnis zu Ihrer abgespeicherten Leistung an: Der Text "YOU ARE x.xx BEHIND" sagt Ihnen, dass Sie um die genannte Zeit hinter Ihrer gespeicherten Leistung liegen, der Text "YOU ARE x.xx AHEAD" seinerseits sagt Ihnen, dass Sie um die genannte Zeit Ihrer gespeicherten Leistung voraus sind.

4. Am Ende des Profils hält das Laufband automatisch an. Jetzt können Sie Ihr Training im Cockpit abspeichern (siehe Speicherfunktion).

WARTUNG

Die Gewährleistung der Betriebssicherheit des Geräts erfordert regelmäßige Pflege und genaue Kontrolle der potentiellen Störstellen (verschleissbare Teile usw.). Kontrollieren Sie bitte einmal im Jahr die Spannung aller Befestigungsschrauben und Muttern. Wenn sich ein Teil des Gerätes als fehlerhaft herausstellt, wechseln Sie es bitte unmittelbar aus. Das Gerät darf nicht benutzt werden, falls es nicht völlig funktionstauglich ist.

REINIGUNG DES LAUFBANDES UND PFLEGE DER LAUFPLATTE

Die Handläufe und die Elektronikanzeige mit einem feuchten Tuch reinigen. Auf keinen Fall Lösungsmittel verwenden! Die sichtbaren Teile des Rahmens (wie Laufmatte, Laufplatte und Seitenprofile) regelmässig mit einer kleinen Düse absaugen. Zur Reinigung der Unterseite das T60F in Aufbewahrungsposition bringen.

BITTE BEACHTEN! Halten Sie die Umgebung des Laufbandes sauber. Im Betrieb zieht das Laufband z.B. Staub an, der Probleme für die Funktion des Gerätes verursachen kann.

Das Einfetten ist eine wichtige Maßnahme bei der Pflege Ihres Laufbands. Bei normaler Benutzung zu Hause (höchstens eine Stunde Training pro Tag) sollen Sie alle 300 Gebrauchsstunden kontrollieren, das Ihr Gerät ausreichend eingefettet ist. Mit Hilfe des Gesamtwertrechners Ihres Cockpits können Sie leicht die Gesamtlauzeit Ihres Geräts verfolgen. Kontrollieren Sie bitte immer dann, ob Ihr Gerät ausreichend eingefettet ist, wenn Ihnen das Gleiten der Laufmatte ungleichmäßig erscheint. Prüfen Sie mit der Hand die Platte unter dem angehaltenen Laufband. Falls Ihre Finger trocken bleiben und sich die Platte nicht glatt anfühlt, führen Sie das Einfetten folgendermaßen durch:

1. Das Band anhalten. Befestigen Sie die Einfettdüse am Kopf der Flasche.
2. Das Band an einer Seite anheben.
3. Sprühen Sie das Einfettmittel über die ganze Länge der Platte, möglichst in die Mitte der Laufunterlage.
4. Der Inhalt einer T-Lube-Flasche reicht für zweimaliges Einfetten.
5. Das Laufband ist sofort betriebsbereit.

BITTE BEACHTEN! Das Laufband soll nach dem Einfetten noch mindestens fünf Minuten benutzt werden, bevor Sie die Laufunterlage in die Aufbewahrungsposition anheben. Auf diese Weise vermeiden Sie ein Auslaufen des Einfettmittels.
BITTE BEACHTEN! Zur Behandlung des Laufbandes nur T-Lube S verwenden! T-Lube S ist bei Ihrem Tunturi-Händler erhältlich.

AUSRICHTEN DER LAUFMATTE

Beobachten Sie den Lauf des Bandes während des Trainings und führen Sie die unten beschriebenen Einstellmassnahmen sofort aus, wenn sie notwendig sind. Während des Trainings sollte die Laufmatte möglichst gerade und mittig laufen. Die Laufmatte braucht nicht neu ausgerichtet werden, falls

- das Gerät an einem ebenen Ort aufgestellt wird und ordnungsgemäss gespannt ist, und
- das Laufband ursprünglich ordnungsgemäss ausgerichtet wurde.

Aufgrund von besonderen Laufstilen (z. B. einseitige Gewichtsverteilung) kann die Laufmatte mit der Zeit jedoch schräg laufen. Ragt die Laufmatte über eines der beiden Seitenprofile hinaus, muss die Laufmatte wie folgt neu ausgerichtet werden:

1. Die Matte mit einer Geschwindigkeit von 5 km/h laufen lassen.
2. Läuft die Laufmatte nach links, die linke Einstellschraube am hinteren Ende des Laufbandtrainers um ¼ Umdrehung nach rechts und die rechte Einstellschraube um ¼ Umdrehung nach links drehen. Bereits eine ¼ Umdrehung verändert die Richtung der Laufmatte. Deshalb die Stellung der Einstellschrauben nur Schritt für Schritt verändern. Läuft die Laufmatte nach rechts, die rechte Einstellschraube am hinteren Ende des Laufbandtrainers um ¼ Umdrehung nach rechts und die linke Einstellschraube um ¼ Umdrehung nach links drehen.
3. Läuft die Laufmatte in der Mitte, ist die Einstellung richtig. Wenn nicht, die obigen Schritte so lange wiederholen, bis die Laufmatte in der Mitte des Gerätes bleibt. Läuft die Laufmatte über längere Zeit hinweg schräg, so dass es an der einen Geräteseite scheuert, können Betriebsstörungen auftreten. Die Garantie deckt keine Schäden, die auf eine unterlassene Ausrichtung der Laufmatte zurückzuführen sind.

NACHSPANNEN DER LAUFMATTE

Die Laufmatte muss nachgespannt werden, wenn sie bei normalem Betrieb über die Laufrolle zu rutschen beginnt. Die Laufbandspannung jedoch so gering wie möglich halten! Das Nachspannen erfolgt mit denselben Einstellschrauben wie zum Ausrichten.

1. Die Matte mit einer Geschwindigkeit von 5 km/h laufen lassen.
2. Beide Einstellschrauben gleich viel, ¼ Umdrehung, nach rechts drehen.
3. Durch Gehen wie an einem steileren Abhang versuchen, die Laufmatte zu bremsen. Rutscht das Laufband immer noch zu leicht über die Laufrolle, die Einstellschrauben um eine weitere ¼ Umdrehung nach rechts drehen und einen weiteren Bremsversuch machen. Die Laufmatte sollte erst bei scharfem Bremsen rutschen. Falls die Laufmatte trotz wiederholtem Nachspannen rutscht, bitte Kontakt mit Ihrem Tunturi-Händler aufnehmen.

BETRIEBSSTÖRUNGEN

BITTE BEACHTEN! Trotz kontinuierlicher Qualitätsüberwachung können vereinzelt an den Geräten durch einzelne Komponenten verursachte Funktionsstörungen auftreten. Dabei ist es nicht angebracht, das ganze Gerät zur Reparatur zu bringen, da der Fehler meistens durch Austauschen der defekten Komponente behoben werden kann.

Falls Sie Funktionsstörungen an Ihrem Gerät feststellen, schalten Sie es umgehend aus. Warten Sie 1 Minute und schalten Sie das Gerät wieder ein. Normalerweise werden Funktionsstörungen mit dieser Massnahme behoben und das Gerät kann weiterverwendet werden. Sollte die Funktionsstörung aber wieder auftreten, das Gerät umgehend ausschalten und Kontakt mit Ihrer nationalen Tunturi-Vertretung aufnehmen.

Wenden Sie sich an Ihre nationale Tunturi-Vertretung, wenn Sie Ersatzteile benötigen oder Funktionsstörungen an Ihrem Gerät feststellen. Beschreiben Sie das Problem und die Einsatzbedingungen und teilen Sie das Kaufdatum und die Seriennummer des Gerätes mit. Die Ersatzteilnummern finden Sie in der Liste am Ende dieser Anweisung. Nur Teile in der Ersatzteilliste dürfen verwendet werden.

FEHLERMELDUNGEN

Das Cockpit zeigt eine Funktionsstörung auf der Anzeige an.

SYSTEM CHECK FAILED - Mögliche Störung der Motorsteuerung. Schalten Sie am Hauptschalter den Strom für das Laufband ab, warten Sie eine Minute und starten Sie das Laufband neu. Falls die Fehlermeldung verschwunden ist, können Sie das Gerät wieder ganz normal benutzen. Sollte die Fehlermeldung nicht verschwinden, wenden Sie sich bitte an den Verkäufer des Geräts.

SPEED SENSOR ERROR - Störung beim Geschwindigkeitssensor. Wenden Sie sich bitte an den Verkäufer des Geräts.

MOTOR SPEED ERROR - Störung bei der Geschwindigkeitseinstellung des Laufbands. Vergewissern Sie sich, dass Sie das Gerät richtig benutzen: Sie dürfen das Band nicht mit den Füßen verschieben. Schalten Sie am Hauptschalter den Strom für das Laufband ab, warten Sie eine Minute und starten Sie das Laufband neu. Falls die Fehlermeldung verschwunden ist, können Sie das Gerät wieder ganz normal benutzen. Sollte die Fehlermeldung nicht verschwinden, wenden Sie sich bitte an den Verkäufer des Geräts.

MOTOR OVERLOAD - Überlastung des Motors. Vergewissern Sie sich, dass Sie das Gerät richtig benutzen: Das Band darf nicht gebremst werden. Schalten Sie am Hauptschalter den Strom für das Laufband ab, warten Sie eine Minute und starten Sie das Laufband neu. Falls die Fehlermeldung verschwunden ist, können Sie das Gerät wieder ganz normal benutzen. Vergewissern Sie sich, dass das Band ausreichend eingefettet ist, führen Sie bei Bedarf eine Einfettung durch. Sollte die Fehlermeldung nicht verschwinden, wenden Sie sich bitte an den Verkäufer des Geräts.

LIFT MOTOR ERROR - Störung beim Hebemotor.

Wenden Sie sich bitte an den Verkäufer des Geräts. LIFT MOTOR OVERLOAD - Überlastung des Hebemotors. Vergewissern Sie sich, dass Sie das Gerät richtig benutzen: Sie dürfen den Motor nicht durch ständiges Ändern des Steigungswinkels überlasten. Schalten Sie am Hauptschalter den Strom ab, warten Sie eine Minute und starten Sie das Laufband neu. Beim Starten führt das Laufband automatisch eine Kalibrierung des Hebemotors durch. Falls die Fehlermeldung verschwunden ist, können Sie das Gerät wieder ganz normal benutzen. Sollte die Fehlermeldung nicht verschwinden, wenden Sie sich bitte an den Verkäufer des Geräts.

WARTUNGSMELDUNG

CHECK LUBRICATION. Vergewissern Sie sich, dass das Band ausreichend eingefettet ist, führen Sie nur bei Bedarf eine Einfettung durch. Löschen Sie die Meldung durch zweimaliges Drücken der ENTER-Taste.

TRANSPORT UND AUFBEWAHRUNG

Das Laufteil vom T60F lässt sich zur raumsparenden Aufbewahrung zwischen den Trainingseinheiten wie folgt bequem hochklappen. Das Laufband muss unbedingt immer angehalten werden, bevor Sie es in die Aufbewahrungsposition bringen. Schalten Sie den Strom am Stromschalter ab und trennen Sie das Netzkabel von der Stromquelle und dem Laufband. Fassen Sie am hinteren Ende der Laufunterlage zu und heben Sie die Laufunterlage an, bis die Gasdruckfeder einrastet. **BITTE BEACHTEN!** Lassen Sie nie die Laufunterlage nur mit Hilfe der Gasdruckfederungen in der Aufbewahrungsposition!

Das Gerät bringt sich automatisch in die Aufbewahrungsposition auf den Transporträdern. Durch Schieben können Sie das Gerät auf den Transporträdern bewegen. Sie lösen die Sperre durch die Gasdruckfedern, indem Sie leicht mit dem Fuss auf den mit einem Aufkleber gekennzeichneten Sperrpunkt an der linken Gasdruckfeder drücken und die Laufunterlage nach unten ziehen. Senken Sie jetzt die Laufunterlage vorsichtig zu Boden.

BITTE BEACHTEN! Das Laufband nur mit äusserster Vorsicht über eine Schwelle oder andere unebene Flächen transportieren. Das Laufband darf nicht auf den Transportrollen über eine Treppe geschoben werden - es muss unbedingt getragen werden. Ein Verschieben des Gerätes kann manche Fussbodenmaterialien beschädigen, z.B. Holzparkettböden. In diesem Fall müssen Sie den Boden vorher schützen. Nach dem Bewegen oder Transport muss das Laufband ggf. neu ausgerichtet werden.

Um Funktionsstörungen zu vermeiden, das Gerät in einem möglichst trockenen Raum mit gleichbleibender Temperatur vor Staub geschützt aufbewahren und benutzen. Nach jedem Training den Netzstecker ziehen.

TECHNISCHE DATEN

Länge	202 cm
(Aufbewahrungsstellung	115 cm)
Höhe	138 cm
(Aufbewahrungsstellung	175 cm)
Breite	94 cm
Gewicht	105 kg
Lauffläche	51 x 138 cm
Geschwindigkeit	0,5-16,0 km/h
Neigung	0-10 %
Motor	2,0 PS (1,49 KW)

Sämtliche Tunturi-Geräte entsprechen den EG-Richtlinien für elektromagnetische Verträglichkeit, EMC (EN 61000-6-1, EN 61000-6-3, 61000-3-3) und der europäischen Niederspannungsrichtlinie (EN 60335-1). Das Produkt trägt daher das CE-Kennzeichen. Das T60F erfüllt die Anforderungen der CEN-Sicherheitsnormen (Klasse HA, EN-957, Teile 1 und 6).

Aufgrund unserer kontinuierlichen Produktentwicklung behält sich Tunturi das Recht vor, Spezifikationen ohne vorherige Ankündigung zu vorzunehmen.

BITTE BEACHTEN! Die Hinweise bezüglich der Montage, der Benutzung und der Wartung Ihres Gerätes müssen sorgfältig beachtet werden. Die Garantie schliesst keine Beschädigungen ein, die auf Fahrlässigkeit bei der Montage, Einstellung und Wartung, wie sie in diesem Handbuch beschrieben wurden, zurückzuführen sind. Werden Modifizierungen ohne das Einverständnis der Tunturi Oy Ltd vorgenommen, erlischt jeglicher Garantieanspruch!

Wir wünschen Ihnen viele angenehme Trainingsstunden mit Ihrem neuen Tunturi Trainingspartner!

TABLE DES MATIERES

CONSEILS ET AVERTISSEMENTS	26
ASSEMBLAGE	27
GÉNÉRALITÉS SUR L'ENTRAÎNEMENT	28
RYTHME CARDIAQUE	29
UNITE DES COMPTEURS	30
VITESSE CONTRÔLÉE PAR POSITIONNEMENT (PSC)	31
CHOIX DE L'ENTRAÎNEMENT	32
MANUAL (ENTRAÎNEMENT MANUEL)	32
ENTRAÎNEMENT PAR CONTRÔLE DE LA FREQUENCE CARDIAQUE	32
PROFILS D'ENTRAÎNEMENT	34
FONCTIONS DE LA MÉMOIRE	36
ENTRETIEN	36
TRANSPORT ET RANGEMENT	38
CARACTERISTIQUES TECHNIQUES	38

CONSEILS ET AVERTISSEMENTS

Ce guide est une pièce essentielle de votre appareil sportif. Lisez attentivement ce mode d'emploi avant d'assembler, d'utiliser ou d'effectuer l'entretien de votre appareil sportif. Veuillez conserver ce guide, il contient les renseignements dont vous aurez besoin, maintenant et plus tard, pour utiliser et entretenir votre appareil. Suivez toujours les instructions très rigoureusement.

ATTENTION

- L'appareil doit être branché sur une prise mise à la terre. N'utilisez pas de rallonge. La consommation de courant est de 10 A à son maximum. Les sources de courant présentant des variations de tension de plus de 10 % peuvent entraver le bon fonctionnement de l'appareil et endommager son équipement électronique. Si l'appareil est branché sans tenir compte des instructions données dans ce mode d'emploi, sa garantie n'est plus valable.

DANGER :

Pour réduire les risques de choc électrique :

- Débranchez toujours l'appareil de la prise de courant immédiatement après son utilisation et avant de le nettoyer.

ATTENTION

- Le fil électrique de l'appareil est équipé de fiches mises à la terre.

ATTENTION

Pour réduire les risques de brûlures, d'incendie, de choc électrique ou de blessure aux personnes:

- 1) Un équipement ne devrait jamais être laissé sans surveillance lorsqu'il est branché. Débranchez de la prise lorsque vous ne l'utilisez pas et avant de monter ou de retirer des pièces.

- 2) Une surveillance étroite est nécessaire lorsque cet équipement est utilisé par ou à proximité d'enfants, de personnes invalides ou handicapées.

- 3) N'utilisez cet équipement qu'à l'usage auquel il est destiné tel que décrit dans ce manuel.

Ne pas utiliser d'accessoires non recommandés par le fabricant.

- 4) N'utilisez jamais cet équipement si sa prise ou

son cordon de secteur sont endommagés, s'il ne fonctionne pas parfaitement, s'il est tombé ou qu'il a été endommagé ou s'il est tombé dans l'eau. Retournez l'équipement au centre de service pour contrôle et réparation.

- 5) Maintenir les fils électriques à distance des surfaces chauffées.

- 6) N'utilisez jamais l'appareil lorsque ses aspirations d'air sont bloquées. Veillez à ce qu'il n'y ait pas de peluches, de cheveux ou équivalent sur les aspirations d'air.

- 7) Ne jamais laisser tomber ou insérer aucun objet dans les aspirations d'air.

- 8) Ne pas utiliser en extérieur.

- 9) Ne pas utiliser dans une endroit où l'on utilise des produits aérosol (spray), ni dans un endroit où l'on administre de l'oxygène.

- 10) Pour débrancher, placer tous les contrôles en position fermée, puis retirer la prise de courant.

- Seule une personne spécialisée dans l'entretien et la réparation de tels appareils électro-mécaniques et qui détient le permis exigé par la loi du pays concerné pour effectuer les travaux en question, peut réaliser d'éventuels changements sur les fiches de l'appareil ou la prise secteur.

- Avant de commencer un entraînement, quel qu'il soit, consultez votre médecin.

- En cas de vertige, nausées, douleur dans la poitrine ou autres symptômes anormaux, interrompez la séance immédiatement et consultez un médecin.

- N'effectuez jamais d'autres opérations de réglage et d'entretien que celles mentionnées dans ce guide et suivez bien les conseils d'entretien qui y sont donnés. Veillez à ce que, durant l'assemblage et l'entretien de l'appareil, l'appareil est éteint et débranché.

- L'appareil ne doit pas être utilisé par des personnes dont le poids excède 135 kg.

- T60F peut être utilisé à la maison. La garantie ne couvre que les défauts ou imperfections s'étant manifestés pendant l'utilisation à la maison (24 mois). Veuillez noter que la garantie ne couvre pas les dommages causés par un manque de précaution quant aux instructions de montage et d'entretien décrites dans ce mode d'emploi.

CONSERVEZ CES INSTRUCTIONS!

BIENVENUE DANS LE MONDE DE L'ENTRAÎNEMENT TUNTURI!

Votre choix prouve que vous souhaitez réellement investir dans votre bien-être et votre condition; il révèle aussi que vous savez apprécier la haute qualité et l'élégance. En choisissant un équipement Tunturi, vous adoptez un produit de premier choix comme partenaire pour un entraînement motivant, en toute sécurité. Quel que soit votre objectif, nous sommes persuadés que cet appareil est celui qui vous y conduira. Vous trouverez les indications concernant l'utilisation de votre appareil sportif et les facteurs d'un entraînement efficace dans le web de Tunturi, à l'adresse WWW.TUNTURI.COM.

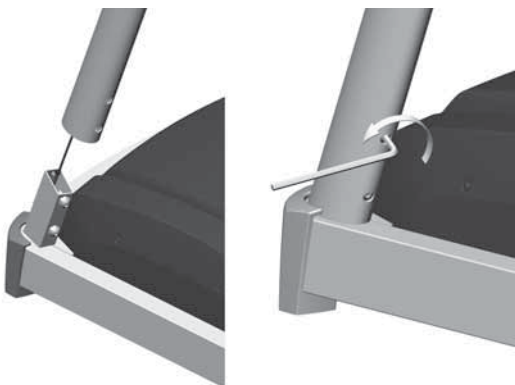
ASSEMBLAGE

Commencez par déballer l'appareil sportif et vérifier que toutes les pièces suivantes sont en votre possession:

1. Châssis
2. Barres d'appui avant
3. Repose-mains transversal
4. Compteur
5. Fil électrique
6. Kit d'assemblage (le contenu avec * dans la liste des pièces détachées): Conservez les outils de montage, vous pourrez en avoir besoin pour régler l'appareil par exemple.

Les termes droit, gauche, avant et arrière sont définis par rapport à la position d'exercice. Pour tous problèmes, adressez-vous à votre distributeur. L'emballage renferme un sachet de silicate pour l'absorption de l'humidité pendant le stockage et le transport. Veuillez le mettre au rebut après avoir déballé l'appareil. Pour assembler l'appareil, il faut deux personnes. Effectuez l'assemblage comme suit:

BARRES D'APPUI AVANT



IMPORTANT ! Les vis de fixations sont en place, ne pas les retirer ! Noter qu'un fil sort de la barre d'appui avant gauche : attention à ce qu'il ne tombe pas à l'intérieur de la barre d'appui ! Mettre les barres d'appui avant en place sur les côtés du châssis : tirer simultanément vers le haut le fil qui sort de la barre d'appui avant gauche afin qu'il ne reste pas coincé entre la barre d'appui et le châssis. Serrer les vis à fond uniquement une fois que vous aurez mis le repose-mains transversal et le compteur en place.

REPOSE-MAINS TRANSVERSAL



Placer le repose-mains transversal entre les barres d'appui avant de sorte que la partie convexe soit dirigée vers la partie arrière de l'appareil. Fixer la barre d'appui transversale aux barres d'appui avant des deux côtés avec des vis à six pans. Faciliter la fixation en plaçant la vis de fixation à l'extrémité de la clé avant de l'enfoncer dans le trou traversant la barre d'appui.

COMPTEUR



Brancher le fil sortant de la barre d'appui gauche sur le raccord du compteur et enfoncer le fil raccordé à l'intérieur de la barre d'appui. Enfoncer le compteur pour le fixer à l'extrémité des barres d'appui avant et le fixer avec quatre vis six pans au dos. Si nécessaire, vous pouvez procéder à la fixation plus aisément en desserrant le repose-mains transversal: attention cependant à ne pas desserrer le repose-mains du côté où il y a un écrou recouvert de caoutchouc noir.

Serrer maintenant les vis de fixation des barres d'appui. Serrer les vis de fixation en enfonçant la tête de la clé pour vis six pans à travers le trou de la barre d'appui dans la tête de la vis de fixation. **IMPORTANT !** Serrer les vis de fixation en tournant dans le sens opposé aux aiguilles d'une montre ! Éviter de trop serrer les vis de fixation. Enfoncer les chevilles décoratives sur les trous des barres avant. Retirer le film protecteur de l'écran. Faciliter la fixation en enfonçant légèrement la barre d'appui en avant pendant le serrage de la vis.

CLE DE VERROUILLAGE

DE SECURITE

L'appareil est équipé d'une clé de verrouillage de sécurité qui empêche son fonctionnement si elle n'est pas en place, sous l'unité des compteurs. Fixez le clip se trouvant au bout du cordon de la clé à votre T-shirt par exemple et insérez la clé dans la fente gauche de l'interface. Veillez à ce que le clip de la clé de verrouillage de sécurité est bien fixé à votre vêtement; quand le cordon de la clé se tend, faites bien attention que le clip ne se détache pas de votre vêtement avant que la clé se soit déconnectée de l'interface. Prenez toujours appui sur la barre de soutien, que vous montiez sur l'appareil ou en descendiez et également au cours de chaque changement de vitesse. Ne sautez jamais d'un tapis en marche !

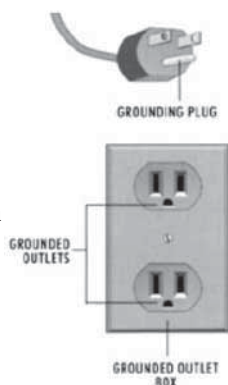
CORDON D'ALIMENTATION

Connectez le fil électrique à l'avant de l'appareil près de l'interrupteur secteur. Avant de brancher l'appareil à une source d'alimentation, assurez-vous que la tension locale correspond à celle indiquée sur la plaque de type. Le tapis de course fonctionne sur 230V ou 120V. Mettez l'appareil sous tension à l'aide de l'interrupteur qui se trouve à côté de la prise. **ATTENTION !** L'appareil ne doit être branché qu'à une prise reliée à la terre. En cas de défaillance ou de panne, la mise à terre offre au courant une voie à résistance minimale, réduisant ainsi le danger de choc électrique. N'utilisez pas de rallonge pour le branchement de l'appareil à la source d'alimentation.

Ce produit est équipé d'un cordon avec un conducteur de mise à la terre et une fiche mise à la terre. La fiche doit être branchée dans une prise appropriée, correctement installée et mise à la terre conformément aux exigences et réglementations locales. Ne pas utiliser de rallonges lorsque vous branchez l'équipement sur une source d'alimentation.

CONFIGURATION 120 V

DANGER ! Un branchement incorrect du conducteur de mise à la terre de l'équipement peut entraîner un risque de choc électrique. Vérifiez auprès d'un électricien ou d'un mécanicien d'entretien qualifié si vous n'êtes pas sûr que le produit est correctement mis à la terre. Ne modifiez pas la fiche fournie avec le produit, si elle ne rentre pas dans la prise de courant, faites-la changer par un électricien qualifié. Si le produit doit être utilisé sur circuit de 120 volt nominal, sa prise de mise à la terre ressemble à l'illustration. Assurez-vous que le produit est branché sur une prise ayant la même configuration que la fiche. Il est interdit d'utiliser un adaptateur avec ce produit.



GÉNÉRALITÉS SUR

L'ENTRAÎNEMENT

Il est indispensable de se familiariser soigneusement avec les fonctions et le contrôle du tapis de course motorisé avant de commencer l'exercice.

L'entraînement avec un tapis de course est une excellente forme d'exercice aérobic qui lie à la fois modération et durée dans les efforts. Un tel exercice vise à améliorer votre capacité maximale d'absorption d'oxygène, donc votre endurance et votre condition physique. La capacité du corps à "brûler" la graisse est directement liée à sa capacité de transporter l'oxygène.

L'exercice en aérobic est avant tout plaisant. Il faut transpirer, mais le pouls ne doit pas monter exagérément. Cela permet de faire de l'exercice plus longtemps. Il est recommandé de pratiquer de l'exercice 30 à 60 minutes trois fois par semaine en fonction des

objectifs, de la forme et des possibilités.

Si vous souhaitez vous exercer en marchant, vous pouvez varier le type et l'intensité de l'exercice en modifiant l'angle d'inclinaison du tapis de course. La marche peut être diversifiée en utilisant simultanément des petits poids pour faire travailler les muscles des bras. Attention dans ce cas à votre équilibre et aux autres facteurs de sécurité.

Vous trouverez les indications concernant l'utilisation de votre appareil sportif et les facteurs d'un entraînement efficace dans le web de Tunturi, à l'adresse www.tunturi.com.

A PROPOS DE SANTE

- Pour éviter les raideurs et les courbatures, commencez et terminez vos séances d'entraînement par des étirements.

A PROPOS DU LOCAL

- T60 ne doit pas être utilisé à l'extérieur. L'appareil supporte des températures de +10°C à +35°C. L'hygrométrie ne doit jamais excéder 90 %.
- Installer l'appareil sur une surface plane et ferme. Laissez au moins 100 cm d'espace libre devant et sur les côtés et au moins 100x200 cm derrière. Veiller à ce que ni enfant, ni animal familier ne soient à proximité durant l'utilisation de l'appareil.
- Assurez-vous que la pièce où vous vous entraînez bénéficie d'une ventilation adéquate. Pour éviter les coups de froid, ne vous entraînez pas dans un endroit balayé par les courants d'air.

A PROPOS DE L'UTILISATION DE L'EQUIPEMENT

- Les parents ou autres adultes responsables doivent penser que la curiosité naturelle des enfants, généralement joueurs, peut conduire à des situations et des comportements pour lesquels l'appareil n'est pas prévu. Si des enfants sont autorisés à utiliser votre appareil sportif, ils doivent apprendre à le faire correctement et sous surveillance. Tenez compte de leur développement physique et intellectuel, ainsi que de leur personnalité.
- N'utilisez l'appareil qu'une seule personne à la fois.
- Gardez vos mains éloignées des pièces en mouvement.
- Ne jamais laisser la piste en marche sans surveillance.
- Portez toujours des vêtements et des chaussures appropriés lors des séances d'exercice.
- Avant de commencer à utiliser l'appareil, assurez-vous qu'il fonctionne correctement sur tous les points. N'utilisez pas un appareil défectueux.
- Vérifiez toujours que toutes les pièces de protection de l'appareil sont bien en place.

POUR COMMENCER VOTRE EXERCICE

- Afin d'éviter toutes douleurs musculaires, commencez et terminez vos sessions par des mouvements d'échauffement et d'étirement.
- Ne montez jamais directement sur le tapis mais

toujours d'abord sur les bords fixes.

- Commencer l'exercice lentement et augmenter graduellement la vitesse et/ou l'inclinaison en fonction de votre forme et de vos sensations.
- Prenez toujours appui sur la barre de soutien, que vous montiez sur l'appareil ou en descendiez et également au cours de chaque changement de vitesse. Ne sautez jamais d'un tapis en marche !
- Garder le dos et la nuque droits, vous éviterez ainsi les raideurs et les douleurs dans la nuque, les épaules et le dos. Toujours courir le plus possible au milieu du tapis et maintenir une distance avec le compteur de manière à ce que celui-ci ne dérange pas votre course, mais soit toutefois facile à atteindre.
- En cas de défaut de fonctionnement pendant l'exercice, attrapez le repose-mains et placez-vous immédiatement les jambes écartées sur les plaques latérales du tapis de course. Arrêtez le tapis de course et reportez-vous aux instructions, chapitre Dé rangement en cours d'utilisation.
- Interrompez immédiatement la session et consultez votre médecin si vous êtes pris de nausées ou de vertiges ou sentez d'autres symptômes anormaux pendant l'entraînement.

POUR TERMINER VOTRE EXERCICE

- N'arrêtez pas l'exercice brutalement, mais ralentissez progressivement et n'oubliez pas de vous étirer à la fin de l'exercice.
- Ne laissez jamais la clé de verrouillage de sécurité sur votre appareil.
- Eteignez votre appareil à l'aide de l'interrupteur secteur situé sur le bord avant.
- Au besoin, par exemple si vous avez sué, nettoyez votre appareil avec un chiffon humide. N'employez pas de solvant.
- Retirez le fil électrique et rangez-le dans un endroit inaccessible aux enfants.

RYTHME CARDIAQUE

Quel que soit votre objectif, vous obtiendrez les meilleurs résultats en vous entraînant à un niveau d'effort approprié, le meilleur contrôle étant votre pouls. La façon la plus fiable de mesurer le pouls est de le faire à l'aide d'un couple émetteur-récepteur sans fil, dans lequel les électrodes de l'émetteur fixé au niveau de la poitrine envoient les pulsations à l'unité des compteurs à travers le champ électromagnétique existant entre l'émetteur et le récepteur.

ATTENTION ! Si vous utilisez un stimulateur cardiaque, vérifiez auprès de votre médecin que vous pouvez utiliser un cardiofréquence-mètre sans fil.

Si vous désirez mesurer votre pouls avec la méthode sans fil, commencez par bien mouiller, avec de l'eau ou votre salive, les électrodes de la ceinture de l'émetteur, qui seront en contact avec la peau de votre poitrine. Si vous fixez la ceinture sur votre T-shirt, mouillez le T-shirt aux endroits où se posent les électrodes. Placez la ceinture flexible sous les muscles pectoraux de façon à ce que les électrodes de l'émetteur restent constamment en contact avec votre peau tout au long de l'exercice. Ne serrez

cependant pas trop la ceinture: vous devez pouvoir respirer normalement. L'émetteur peut transmettre votre pouls à l'unité des compteurs sur une distance d'un mètre au maximum.

Si les électrodes ne sont pas suffisamment mouillées, l'écran n'affichera pas votre pouls. Donc si les électrodes se sont asséchées en contact avec votre peau, il vous faudra les mouiller à nouveau. Pour mesurer le pouls avec un maximum de fiabilité, laissez les électrodes s'échauffer, par contact sur votre peau, à la température de votre corps. Dans le cas où plusieurs équipements de mesure du pouls sans fils sont utilisés en même temps, la distance entre eux doit être d'au moins 1,5 m. D'autre part, si on ne dispose que d'un récepteur mais de plusieurs émetteurs, une seule personne portant un émetteur doit se trouver à l'intérieur de la zone de portée du récepteur, lorsque la mesure du pouls est en cours.

ATTENTION! Prenez en compte dans vos vêtements d'entraînement le fait que certaines fibres utilisées dans les vêtements (ex. polyester, polyamide) génèrent de l'électricité statique, ce qui peut entraîner un manque de fiabilité de la mesure du rythme cardiaque. Un téléphone portable, une télévision et d'autres appareils électriques créent un champ électromagnétique autour d'eux, ce qui pose des problèmes dans la mesure du rythme cardiaque.

Déterminez d'abord votre rythme cardiaque maximum c'est à dire le rythme à partir duquel le pouls n'augmente plus, même si l'effort est accru. Si vous ne connaissez pas votre pouls maximum, utilisez ces formules indicatives :

$$208 - 0,7 \times \text{ÂGE}$$

Notez bien que c'est une valeur moyenne et que les maxima varient d'une personne à l'autre. Le pouls maximum diminue, en moyenne, d'une pulsation par année. Si vous faites partie d'un des groupes «à risque», consultez un médecin pour qu'il mesure votre pouls maximum. Nous avons déterminé trois zones de pouls pour vous aider dans vos entraînements soumis à un objectif.

DÉBUTANT : 50-60 % du pouls maximum

Ce niveau convient aussi aux personnes désirant perdre du poids ou n'ayant pas pratiqué d'activité physique depuis longtemps ainsi qu'aux convalescents. Il est recommandé de s'entraîner au moins une demi-heure trois fois par semaine. Un exercice régulier améliore, de façon décisive, les performances respiratoires et circulatoires du débutant et les effets d'une meilleure forme sont très vite ressentis.

ENTRAÎNEMENT : 60-70 % du pouls maximum

Ce niveau est parfait pour l'amélioration et le maintien d'une bonne condition physique. Il permet de renforcer le cœur et les poumons tout en respectant un effort raisonnable. S'entraîner au moins trois fois par semaine pendant une demi-heure minimum. Pour progresser davantage, augmentez soit la fréquence soit la durée des séances mais pas les deux en même temps !

ENTRAÎNEMENT ACTIF : 70-80 % du pouls maximum

L'exercice à ce niveau ne convient qu'aux personnes en excellente condition physique et suppose un entraînement antérieur de longue date.

UNITE DES COMPTEURS

TOUCHES DE FONCTION

START

Met en route l'exercice choisi.

TOUCHES DE COMMANDE DE VITESSE

(lièvre / tortue)

Appuyez sur la touche lièvre pour augmenter la vitesse par crans de 0,1 km/h; appuyez sur la touche tortue pour réduire la vitesse par crans de 0,1 km/h. Un appui prolongé sur ces touches permet de modifier plus rapidement la vitesse. La plage de vitesse du tapis est de 0,5 à 16,0 km/h.

TOUCHE DE COMMANDE D'INCLINAISON

En appuyant sur la touche inclinaison haut, vous augmentez l'inclinaison du tapis de course par incrémentation de 0,5 %, en appuyant sur la touche inclinaison bas, vous diminuez l'inclinaison du tapis de course par incrémentation de 0,5 %. Une pression plus longue accélère le changement. L'intervalle de changement de l'inclinaison est de 0 – 10 %.

TOUCHES FLÈCHES

Dans les réglages de l'utilisateur, vous pouvez modifier les valeurs de réglage à l'aide des touches de réglage de la vitesse. Dans l'entraînement par contrôle de la fréquence cardiaque, vous pouvez échelonner la fréquence cardiaque à l'aide des touches de réglage de la vitesse. Dans les programmes d'entraînement, vous pouvez échelonner le niveau d'effort à l'aide des touches de réglage de la vitesse. En appuyant sur la touche lièvre, vous augmentez le niveau d'effort, en appuyant sur la touche tortue, vous réduisez le niveau d'effort.

STOP / PAUSE / RESET

Pour arrêter l'entraînement, vous pouvez appuyer sur la touche STOP. Un appui sur la touche STOP vous permet d'arrêter le tapis et de passer en pause pour cinq minutes. Pour reprendre l'entraînement, il vous suffit d'appuyer sur la touche START. Lorsque cinq minutes de pause sont écoulées, l'exercice prend fin et l'appareil repasse à la phase initiale du choix des profils. Pour arrêter l'entraînement, vous pouvez également appuyer deux fois sur la touche STOP. Une pression de 2 secondes de la touche STOP met le compteur à zéro, le compteur se met en mode démarrage.

SELECT

Avant d'appuyer sur la touche START, vous pouvez choisir votre mode d'entraînement à l'aide de la touche SELECT. Durant l'exercice, vous pouvez choisir l'affichage de profil à l'aide de la touche SELECT.

ENTER

Validez votre choix (mode ou programme d'entraînement, réglages de l'utilisateur).

MÉMOIRE

La touche MEM vous permet d'enregistrer le compteur de l'exercice écoulé en mémoire. L'enregistrement nécessite le choix d'un identifiant d'utilisateur. Chaque identifiant dispose de cinq emplacements de mémoire.

PSC

La fonction PSC vous permet de régler la vitesse du tapis de course en vous déplaçant sur la piste durant l'exercice, sans toucher au compteur. La fonction PSC nécessite l'utilisation du cardiofréquencemètre. La fonction PSC peut être utilisée durant l'exercice en mode manuel, en mode contrôle fréquence cardiaque (HRC) en mode contrôle par angle, dans les profils Rolling Hills ainsi qu'avec les deux tests de forme physique.

SET

En appuyant sur la touche SET, vous pouvez sélectionner l'identifiant d'utilisateur, procéder à des réglages concernant les informations d'utilisateur, sélectionner les unités utilisées par l'équipement et vérifier le nombre d'heures et la distance totales d'utilisation de l'équipement.

LOGICIEL T-WARE

Cet équipement est compatible avec le logiciel T-Ware que teste et gère votre condition physique. Adressez-vous à www.tunturi.com pour plus d'informations.

AFFICHAGES

HEART RATE (pouls d'entraînement).

45-220 bpm. Le voyant du pouls clignote toujours lorsque le compteur enregistre le rythme cardiaque.

KCAL

Estimation de la dépense calorique (0-9999 kcal) par crans de 1 kcal.

ELEVATION (Angle d'inclinaison)

0-10 %, par crans de 0,5 %.

TIME (Durée de l'entraînement)

Durée de l'entraînement de 00:00 à 99:59, précision à la seconde, puis, de h1:40 à h9:59, précision à la minute.

DISTANCE

Distance parcourue en kilomètres (0.00-99,99 km) par crans de 0,01 km.

SPEED (Vitesse)

Vitesse du tapis en kilomètres (0,5 à 16,0 km/h) par crans de 0,1 km/h. Le voyant lumineux indique l'unité sélectionnée (km/h, mph, pace = minute / kilomètre).

GRAPHISME/AFFICHAGE DE TEXTE

Dans le modèle T60F, l'affichage du texte et du profil ont été réunis, il donne des instructions en anglais à l'utilisateur lors du démarrage et en cours d'exercice.

RÉGLAGE DES DONNÉES UTILISATEUR

Nous recommandons de choisir un identifiant d'utilisateur et que vous enregistriez vos données personnelles: les informations sont utilisées par ex. pour

procéder à une évaluation plus précise de votre dépense énergétique. Vous pouvez également régler les unités utilisées par le tapis de course et visualiser les valeurs d'utilisation totales du tapis de course. En sélectionnant un identifiant d'utilisateur, vous pourrez également enregistrer l'exercice réalisé.

1. Appuyer sur la touche SET. Sélectionnez un identifiant d'utilisateur de 1 à 4 à l'aide de la touche fléchée. Appuyer sur la touche ENTER pour commencer les réglages. **ATTENTION !** La sélection NO USER est liée aux paramètres de l'équipement, celle-ci vous permet de trouver le temps et la distance d'utilisation totales.
2. Réglez les unités de mesure (Metric = système métrique, Imperial = unités anglaises); modifiez le réglage à l'aide des touches flèche, validez la valeur entrée en appuyant sur la touche ENTER et vous passez ensuite au réglage suivant.
3. Réglez le poids de l'utilisateur. Modifiez le réglage à l'aide des touches flèches, validez la valeur entrée à l'aide de la touche ENTER et vous passez ensuite au réglage suivant. Cette information est nécessaire pour l'évaluation de la consommation énergétique.
4. Indiquer le sexe (Male = homme, Female = femme); modifiez le réglage à l'aide des touches flèches, validez la valeur entrée à l'aide de la touche ENTER et vous passez ensuite au réglage suivant. Cette information est nécessaire pour l'évaluation de la consommation énergétique.
5. Indiquez l'âge de l'utilisateur; modifiez le réglage à l'aide des touches flèches, validez la valeur entrée en appuyant sur la touche ENTER et vous passez ensuite au réglage suivant. Cette information est nécessaire pour l'évaluation de la consommation énergétique.
6. Réglez l'utilisation de l'avertissement sonore (ON = avertissement sonore branché, OFF = les avertissements sonores ne sont pas branchés), validez la valeur entrée en appuyant sur la touche ENTER et vous passez ensuite au réglage suivant. Dans les exercices avec profil, le compteur indique à l'avance de manière sonore les changements de profil.
7. Régler les unités affichées à l'écran (km/h, min/km, mph, min/mile). Modifiez le réglage à l'aide des touches flèches, validez la valeur entrée en appuyant sur la touche ENTER et vous passez ensuite au réglage suivant. **IMPORTANT !** Le choix de l'unité peut être fait durant l'exercice: appuyer sur la touche SET une fois, modifiez le réglage à l'aide des touches flèches, et validez la valeur entrée en appuyant sur la touche ENTER.
8. Réglez la vitesse maximum du tapis à l'aide des touches fléchées pour les exercices contrôlés par PSC et par fréquence cardiaque. Dans ces exercices, la vitesse est réglée en fonction du rythme cardiaque de la personne et elle pourrait devenir trop importante pour le bénéfice de l'exercice sans un réglage de la vitesse maximale. La valeur maximum par défaut est 12 km/h. Validez la valeur entrée en appuyant sur la touche ENTER et vous passez ensuite au réglage suivant.
9. L'affichage TOTAL TIME vous permet de visualiser la durée totale d'utilisation du tapis de course par utilisateur. Une pression sur la touche ENTER permet d'afficher l'écran suivant.
10. L'affichage TOTAL DIST vous permet de visualiser la distance totale d'utilisation du tapis de course par

utilisateur. Appuyez sur la touche ENTER pour quitter les réglages utilisateur.

Lorsque vous avez paramétré les informations d'utilisateur, vous pouvez par la suite en tirer parti en commençant l'exercice par la sélection de votre propre identifiant d'utilisateur. L'identifiant d'utilisateur reste dans la mémoire du compteur jusqu'à ce qu'un autre soit sélectionné, que la clé de sécurité soit détachée ou que l'équipement soit débranché.

VITESSE CONTRÔLÉE PA

R POSITIONNEMENT (PSC)

La fonction de contrôle de la vitesse par positionnement (PSC) permet de régler la vitesse du tapis en se déplaçant sur sa surface. La vitesse du tapis augmente lorsque vous vous déplacez vers l'avant, ralentit lorsque vous vous déplacez vers l'arrière et reste constante lorsque vous êtes au milieu.

ATTENTION ! L'utilisation de la fonction PSC est conditionnée à l'utilisation de la ceinture de monitoring cardiaque de Polar T41! Un petit carré clignotant dans l'affichage du compteur Heart Rate est l'indicateur de l'activation de la fonction de contrôle cardiaque.

ATTENTION ! Fixez toujours soigneusement la clé de sécurité à votre vêtement lorsque vous utilisez la fonction PSC. Réglez la longueur du cordon de la clé de sécurité de sorte que celle-ci se détache du compteur si vous êtes situé trop en arrière.

ATTENTION ! Si vous vous entraînez en utilisant la fonction PSC, aucun autre détecteur cardiaque ne doit être situé à proximité du tapis (minimum 2 mètres); les signaux simultanés de deux émetteurs mettent la sécurité de l'utilisateur en danger en perturbant la commande de la fonction PSC !

Les réglages de la fonction PSC doivent se faire lorsque le tapis est arrêté.

1. Commencez à utiliser la fonction PSC en fixant les limites de la zone de vitesse. Appuyez sur la touche PSC du compteur.
2. Sur la base du dernier réglage effectué, le compteur affiche le texte PSC ON (fonction branchée) ou PSC OFF (fonction débranchée). Procédez au réglage à l'aide des touches fléchées et appuyez sur la touche ENTER.
3. Le texte PRESS ENTER TO CALIBRATE PSC OR START TO EXIT s'affiche (appuyez sur ENTER pour entrer dans le réglage des paramètres PSC, en appuyant sur la touche START, vous quittez le réglage des paramètres). Mettez-vous debout au milieu du tapis. La zone d'accélération commence à environ 10 cm en avant du point de mesure, la zone de décélération à environ 20 cm en arrière du point de mesure. Appuyez sur ENTER, le texte PLEASE WAIT 8 s'affiche sur l'écran. Le compteur mesure la distance sur la base du signal cardiaque. Lorsque la mesure est enregistrée au bout de 8 secondes, le texte CALIBRATION READY PRESS START (réglage finalisé, mettre la fonction en marche en appuyant sur la touche START) apparaît.

4. Si le compteur ne reçoit pas de signal cardiaque ou qu'il y a des problèmes dans la mesure de la distance, le compteur revient à l'affichage CALIBRATE. En cas de dysfonctionnement, le texte CHECK TRANSMITTER s'affiche. Vérifiez alors que vous avez bien respecté les instructions données pour l'utilisation de la ceinture télémétrique.

Si les limites de zones de vitesse vous conviennent, vous pourrez par la suite enclencher la fonction PSC en choisissant PSC ON, appuyant sur la touche ENTER et START et en choisissant le mode d'entraînement. Si vous souhaitez modifier les limites de la zone de vitesse, répétez les phases 1 à 3 en vous plaçant à un endroit mieux approprié sur le tapis lors de la phase de mesure.

TRAINING AVEC LA FONCTION PSC

1. Choisissez le mode d'entraînement Manual, Rolling Hills, un test de condition physique ou l'exercice de rythme cardiaque constant basé sur le réglage de l'inclinaison. Ceux-ci vous permettent de contrôler la vitesse du tapis à l'aide de la fonction PSC. L'allumage du voyant lumineux sur le compteur indique que la fonction PSC est activée. L'activation de la fonction PSC est indiquée par les barres situées dans l'écran. Les barres indiquent dans quelle zone de vitesse vous vous trouvez (lièvre = accélération, - = vitesse standard, tortue = décélération).

2. Démarrez l'exercice choisi en appuyant sur la touche START et réglez la vitesse du tapis en vous déplaçant en avant et en arrière sur le tapis. Notez que même durant l'utilisation de la fonction PSC, les touches de réglage de la vitesse (tortue/lièvre) peuvent être activées.

ATTENTION ! Si vous n'êtes pas habitué à la fonction PSC, nous vous recommandons de vous familiariser avec cette fonction à une vitesse d'entraînement peu élevée.

3. Pour arrêter la fonction PSC à la fin de l'entraînement, il suffit d'appuyer deux fois sur la touche STOP.

CHOIX DE L'ENTRAÎNEMENT

Appuyez sur la touche SELECT, jusqu'à ce que le voyant s'allume au niveau du programme d'entraînement désiré. Vous pouvez choisir entre:

1. Entraînement manuel, vous réglez vous-même aussi bien la vitesse que l'inclinaison durant l'entraînement.
2. Entraînement HRC par contrôle de la fréquence cardiaque, le tapis de course règle sa vitesse / inclinaison de manière automatique afin que l'entraînement se fasse en permanence au rythme cardiaque que vous aurez réglé, les profils à contrôle par fréquence cardiaque exigent toujours l'utilisation de la ceinture télémétrique.
3. Test de condition physique: le tapis vous offre deux types de test de condition physique, un test de 2 km de marche ainsi que le test de Cooper de 12 minutes de course.
4. Entraînement avec profil préprogrammé durant lequel la vitesse / l'angle ou le niveau cardiaque varient de manière préprogrammée.

MANUAL (ENTRAÎNEMENT MANUEL)

QUICK START (DÉMARRAGE RAPIDE)

1. L'entraînement manuel est le réglage par défaut du tapis de course. Vous pouvez commencer directement l'entraînement en appuyant sur la touche START. Le tapis se met en route à une vitesse de 1,5 km/h.

DÉMARRAGE AVEC L'IDENTIFIANT D'UTILISATEUR:

2. Si vous souhaitez tirer parti de vos informations utilisateur ou enregistrer votre exercice, paramétrez vos informations utilisateur ou sélectionnez votre identifiant d'utilisateur (1 à 4). Appuyez sur la touche START pour valider le réglage.

3. Appuyez sur la touche SELECT, jusqu'à ce que le voyant s'allume à côté du texte Manual.

4. Appuyez sur la touche START, le tapis se met en route à une vitesse de 1,5 km/h. Vous pouvez régler la vitesse à l'aide des touches Lièvre/Tortue et à l'aide de PSC. Vous pouvez régler l'inclinaison à l'aide des touches de commande d'inclinaison.

5. L'écran du profil affiche toutes les minutes les informations sur la vitesse de l'entraînement. Au bout de 20 minutes, l'affichage commence à se déplacer vers la gauche de sorte que les informations sur la vitesse sont indiquées pour les 20 dernières minutes. En appuyant sur la touche SELECT durant l'exercice, l'écran affiche la vitesse, l'angle, la fréquence cardiaque cumulés.

6. En appuyant une fois sur la touche STOP pendant l'entraînement, le tapis s'arrête et se met en mode pause pour une durée de 5 minutes. Pendant cette durée, vous pouvez reprendre le programme interrompu en appuyant sur la touche START. En mode pause, vous pouvez également enregistrer l'exercice dans la mémoire du compteur (voir Fonctions de la mémoire). En appuyant deux fois sur la touche STOP le programme d'entraînement s'arrête, le compteur affiche alors les informations sur la performance et passe en mode veille.

ENTRAÎNEMENT PAR CONTRÔLE

DE LA FREQUENCE CARDIAQUE

Les exercices à fréquence cardiaque constant permettent de s'entraîner à un niveau choisi de vitesse de la fréquence cardiaque. Les profils contrôlés par la fréquence cardiaque requièrent toujours l'utilisation de la ceinture télémétrique. Si la mesure du rythme cardiaque ne fonctionne pas, le champ de texte affiche le message d'erreur suivant CHECK TRANSMITTER. Vérifiez dans ce cas que vous avez bien respecté les instructions données pour l'utilisation de la ceinture télémétrique.

1. Si vous souhaitez tirer parti de vos informations utilisateur ou enregistrer votre exercice, paramétrez vos informations utilisateur ou sélectionnez votre identifiant d'utilisateur (1 à 4). Appuyez sur la touche ENTER pour valider le réglage.

2. Appuyez sur la touche SELECT, jusqu'à ce que le voyant s'allume à côté du texte HRC. Appuyez sur la touche ENTER pour valider le réglage.

3. Sélectionnez un modèle de contrôle cardiaque avec les touches fléchées:

- a) Speed (Vitesse) = Le maintien du pouls à une valeur constante est basé sur la variation de vitesse du tapis. Si vous le souhaitez, vous pouvez changer l'inclinaison pendant l'exercice.
- b) Elevation (Inclinaison) = Le maintien du pouls à une valeur constante est basé sur la variation de l'angle d'inclinaison du tapis. Dans cette forme d'entraînement, vous réglez vous-même la vitesse du tapis, soit à l'aide de la fonction PSC, soit à l'aide des touches lièvre et tortue.
- c) Combination (Combinaison) = Le maintien du pouls à une valeur constante est basé sur un réglage équilibré et simultané de la vitesse et de l'angle d'inclinaison du tapis.
4. Appuyez sur la touche ENTER pour confirmer votre choix.
 5. Réglez la valeur de pouls (80-180) à l'aide des touches fléchées.
 6. Appuyez sur la touche START pour commencer l'exercice. Vous pouvez régler le niveau de pouls à l'aide des touches de réglages flèches pendant l'exercice.
 7. L'écran du profil affiche toutes les minutes les informations sur la vitesse de l'entraînement. Au bout de 20 minutes, l'affichage commence à se déplacer vers la gauche de sorte que les informations sur la vitesse sont indiquées pour les 20 dernières minutes. En appuyant sur la touche SELECT durant l'exercice, l'écran affiche la vitesse, l'angle, la fréquence cardiaque cumulés.
 8. En appuyant une fois sur la touche STOP pendant l'entraînement, le tapis s'arrête et se met en mode pause pour une durée de 5 minutes. Pendant cette durée, vous pouvez reprendre le programme interrompu en appuyant sur la touche START. En mode pause, vous pouvez également enregistrer l'exercice dans la mémoire du compteur (voir Fonctions de la mémoire). En appuyant deux fois sur la touche STOP le programme d'entraînement s'arrête, le compteur affiche alors les informations sur la performance et passe en mode veille.

TEST DE CONDITION PHYSIQUE

Le tapis de course permet de passer deux tests différents de condition physique. Un test de marche sur 2 km, moins éprouvant, qui doit être effectuée à marche soutenue. Pour les personnes en bonne condition physique, mieux vaut choisir le test de course de Cooper qui dure 12 minutes.

1. Appuyez sur la touche SELECT, jusqu'à ce que le voyant s'allume à côté du texte TEST. Appuyez sur la touche ENTER pour valider le réglage.
2. Appuyez sur la touche SELECT, ce qui vous permet de choisir soit le test de marche de 2 km, soit le test de Cooper. Appuyez sur la touche ENTER pour valider le réglage.

LE TEST DE MARCHÉ 2 KM

Le test de marche nécessite l'utilisation du cardiofréquencemètre. Dans le test de marche, la condition physique est mesurée en fonction du rythme cardiaque durant l'exercice et sur la base de la durée nécessaire pour parcourir 2 km. Le test est précédé d'une séquence de 3 minutes d'échauffement. Tunturi vous

recommande de continuer à marcher tranquillement après le test, pour que le pouls retombe doucement à sa valeur normale. Sur la base du test, le compteur affiche l'évaluation de votre pouvoir d'absorption d'oxygène maximal.

MISE EN ROUTE DU TEST DE MARCHÉ:

1. Le compteur demande la taille (HEIGHT) de la personne: réglez votre taille à l'aide des touches fléchées. Validez votre réglage à l'aide de la touche ENTER.
2. Le compteur demande le sexe (SEX) de la personne: indiquez votre sexe à l'aide des touches fléchées. Validez votre réglage à l'aide de la touche ENTER.
3. Le compteur demande le poids (WEIGHT) de la personne: réglez votre poids à l'aide des touches fléchées. Validez votre réglage à l'aide de la touche ENTER.
4. Le compteur demande l'âge (AGE) de la personne: entrez votre âge à l'aide des touches fléchées Validez votre réglage à l'aide de la touche ENTER.
5. L'écran du compteur indique que la séquence d'échauffement de 3 minutes (WARM UP) peut commencer. Démarrez la séquence d'échauffement en appuyant sur la touche START.
6. L'angle du tapis de course se règle automatiquement à 1% d'angle, pour simuler la résistance au vent durant le test. Réglez la vitesse à l'aide des touches de vitesse. Pour l'échauffement, nous recommandons une cadence de marche légèrement plus soutenue qu'à l'ordinaire.
7. Durant la séquence d'échauffement le compte se fait à rebours pendant trois minutes. Lorsque l'horloge affiche 0:00, le compteur émet un signal sonore et le véritable test commence (TEST STARTED!).

RÉALISATION DU TEST DE MARCHÉ:

1. L'objectif de ce test est de parcourir 2 km en marchant le plus rapidement possible. Réglez vous-même la vitesse à l'aide des touches de vitesse. N'oubliez pas, il est interdit de courir durant le test!
2. Si le cardiofréquencemètre ne fonctionne pas, l'écran du compteur l'indique avec le texte CHECK TRANSMITTER. Vérifiez dans ce cas que vous avez bien respecté les instructions données pour l'utilisation de la ceinture télémétrique.
3. À la fin du parcours de 2 km, le compteur émet un signal sonore. Ensuite la phase de ralentissement pour une durée de 5 minutes se met automatiquement en marche, puis le tapis s'arrête en fin de cycle. Le champ textuel du compteur indique le résultat de test sous la forme de pouvoir d'absorption d'oxygène, ainsi qu'une évaluation de la condition physique. Comparez votre résultat au tableau ci-contre qui définit les niveaux de forme physique pour les différentes classes d'âges.

TEST DE COOPER

Le test de Cooper évalue le niveau de forme physique sur la base de la distance parcourue en courant pendant 12 minutes: plus la distance parcourue est longue, meilleure est votre forme physique. Le test est précédé d'une séquence de 3 minutes d'échauffement. Tunturi vous recommande de continuer à marcher tranquillement après le test, pour que le pouls retombe doucement à sa valeur normale. Sur la base du test, le compteur affiche l'évaluation de votre pouvoir d'absorption d'oxygène maximal.

DÉMARRAGE DU TEST DE COOPER:

1. L'écran du compteur indique COOPER SELECTED. Appuyez sur la touche ENTER pour valider le réglage.
2. Le compteur demande le sexe (SEX) de la personne: indiquez votre sexe à l'aide des touches fléchées. Validez votre réglage à l'aide de la touche ENTER.
3. Le compteur demande l'âge (AGE) de la personne: entrez votre âge à l'aide des touches fléchées Validez votre réglage à l'aide de la touche ENTER.
4. L'écran du compteur indique que la séquence d'échauffement de 3 minutes (WARM UP) peut commencer. Démarrez la séquence d'échauffement en appuyant sur la touche START.
5. L'angle du tapis de course se règle automatiquement à 1% d'angle, pour simuler la résistance au vent durant le test. Réglez la vitesse à l'aide des touches de vitesse. Pour l'échauffement, nous recommandons une cadence de marche légèrement plus soutenue qu'à l'ordinaire.
6. Durant la séquence d'échauffement le compte se fait à rebours pendant trois minutes. Lorsque l'horloge affiche 0:00, le compteur émet un signal sonore et le véritable test commence (TEST STARTED!).

RÉALISATION DU TEST DE COOPER:

1. L'objectif du test est de parcourir la distance la plus longue possible pendant 12 minutes. Vous réglez vous-même la vitesse du tapis à l'aide des touches lièvre et tortue.
2. Le champ textuel du compteur donne l'estimation du

résultat de test selon la vitesse utilisée.

3. Au bout de 12 minutes, le compteur émet un signal sonore. Ensuite la phase de ralentissement pour une durée de 5 minutes se met automatiquement en marche, puis le tapis s'arrête en fin de cycle. Le champ textuel du compteur indique le résultat de test sous la forme de pouvoir d'absorption d'oxygène, ainsi qu'une évaluation sur la condition physique. Comparez votre résultat au tableau ci-contre qui définit les niveaux de forme physique pour les différentes classes d'âges.

PROFILS D'ENTRAÎNEMENT

Afin de vous assurer un entraînement agréable et répondant à vos objectifs, Tunturi a développé des profils d'entraînement fonctionnant de différentes manières. Le compteur prévient à l'avance des changements dans le profil par un signal sonore. L'affichage du profil indique le mode de profil ainsi que les informations sur la colonne suivante du profil. Si vous souhaitez tirer parti de vos informations utilisateur ou enregistrer votre exercice, paramétrez vos informations utilisateur ou sélectionnez votre identifiant d'utilisateur (1 à 4).

A. Les profils combinés 1 à 3 sont des profils d'entraînement de niveaux et de degrés variés dans lesquels la vitesse et l'angle sont préprogrammés. Vous pouvez échelonner la vitesse au niveau souhaité et régler la durée de l'exercice en fonction de la durée ou de la distance. Les profils ne requièrent pas l'utilisation de la ceinture télémétrique, mais la ceinture télémétrique donne cependant des informations intéressantes sur votre performance.

1. Appuyez sur la touche SELECT, jusqu'à ce que le voyant s'allume au niveau du profil (1-3) désiré. Appuyez sur la touche ENTER pour valider le réglage.
2. Réglez la distance / durée du profil. Appuyez sur la touche SELECT, vous accédez au réglage de durée / distance souhaitée du profil. Appuyez sur la touche SELECT pour passer d'une valeur préprogrammée à l'autre. Le dernier réglage de durée est visible sur l'écran numérique. Vous pouvez changer la valeur avec les touches flèches (valeurs limite 10 minutes (10:00) – 3 heures (h3.00), modifications par crans de 5 minutes / 3 km – 42 km, modifications par crans de 1 km). Le réglage reste dans la mémoire du compteur tant qu'il n'est pas remplacé par une nouvelle valeur.
3. Appuyez sur la touche START, l'exercice commence et le tapis se met en route. Vous pouvez échelonner le niveau de vitesse du profil à l'aide des touches flèches, par incrémentations de 1 % vers le haut et vers le bas. En appuyant sur la touche SELECT durant l'exercice, l'écran affiche le profil de vitesse, d'angle et de la fréquence cardiaque cumulés durant l'entraînement.
4. En appuyant une fois sur la touche STOP pendant l'entraînement, le tapis

HOMMES / POUVOIR MAXIMUM D'ABSORPTION D'OXYGÈNE (VO2MAX) 1 = TRÈS FAIBLE - 7 = EXCELLENTE							
AGE	1	2	3	4	5	6	7
18-19	<33	33-38	39-44	45-51	52-57	58-63	>63
20-24	<32	32-37	38-43	44-50	51-56	57-62	>62
25-29	<31	31-35	36-42	43-48	49-53	54-59	>59
30-34	<29	29-34	35-40	41-45	46-51	52-56	>56
35-39	<28	28-32	33-38	39-43	44-48	49-54	>54
40-44	<26	26-31	32-35	36-41	42-46	47-51	>51
45-49	<25	25-29	30-34	35-39	40-43	44-48	>48
50-54	<24	24-27	28-32	33-36	37-41	42-46	>46
55-59	<22	22-26	27-30	31-34	35-39	40-43	>43
60-65	<21	21-24	25-28	29-32	33-36	37-40	>40
FEMMES / POUVOIR MAXIMUM D'ABSORPTION D'OXYGÈNE (VO2MAX) 1 = TRÈS FAIBLE - 7 = EXCELLENTE							
AGE	1	2	3	4	5	6	7
18-19	<28	28-32	33-37	38-42	43-47	48-52	>52
20-24	<27	27-31	32-36	37-41	42-46	47-51	>51
25-29	<26	26-30	31-35	36-40	41-44	45-49	>49
30-34	<25	25-29	30-33	34-37	38-42	43-46	>46
35-39	<24	24-27	28-31	32-35	36-40	41-44	>44
40-44	<22	22-25	26-29	30-33	34-37	38-41	>41
45-49	<21	21-23	24-27	28-31	32-35	36-38	>38
50-54	<19	19-22	23-25	26-29	30-32	33-36	>36
55-59	<18	18-20	21-23	24-27	28-30	31-33	>33
60-65	<16	16-18	19-21	22-24	25-27	28-30	>30

s'arrête et se met en mode pause pour une durée de 5 minutes. Pendant cette durée, vous pouvez reprendre le programme interrompu en appuyant sur la touche START. Vous pouvez aussi enregistrer l'exercice dans la mémoire du compteur (voir Fonctions de la mémoire). En appuyant deux fois sur la touche STOP le programme d'entraînement s'arrête, le compteur affiche alors les informations sur la performance et passe en mode veille.

5. La phase de ralentissement commence automatiquement à la fin du profil. Le tapis s'arrête automatiquement. Vous pouvez enregistrer l'exercice dans la mémoire du compteur (voir Fonctions de la mémoire).

B. Rolling Hills est un exercice de type intervallaire, vous pouvez régler la distance et la durée en cours d'exercice et vous déterminez vous-même la vitesse du tapis. Durant l'exercice Rolling Hills, vous pouvez régler votre vitesse à l'aide de la fonction PSC. Si vous n'utilisez pas la fonction PSC, le profil n'exige pas l'utilisation du cardiofréquencemètre, mais celui-ci vous donne des informations intéressantes sur votre performance.

1. Appuyez sur la touche SELECT, jusqu'à ce que le voyant s'allume à côté du profil 4. Appuyez sur la touche ENTER pour valider le réglage.
2. Appuyez sur la touche SELECT, vous accédez au réglage de durée / distance souhaitée du profil. Le dernier réglage de durée est visible sur l'écran numérique. Appuyez sur la touche SELECT pour passer d'une valeur préprogrammée à l'autre. Vous pouvez changer la valeur avec les touches flèches (valeurs limite 10 minutes (10:00) – 3 heures (h3.00), modifications par crans de 5 minutes / 3 km – 42 km, modifications par crans de 1 km). Le réglage reste dans la mémoire du compteur tant qu'il n'est pas remplacé par une nouvelle valeur.
3. Appuyez sur la touche START, l'exercice commence et le tapis se met en route. Réglez la vitesse à l'aide des touches de réglage de la vitesse ou PSC. En appuyant sur la touche SELECT durant l'exercice, l'écran affiche le profil d'angle et de la fréquence cardiaque cumulés durant l'entraînement.
4. Vous pouvez échelonner le profil d'inclinaison à l'aide des touches flèches.
5. En appuyant une fois sur la touche STOP pendant l'entraînement, le tapis s'arrête et se met en mode pause pour une durée de 5 minutes. Pendant cette durée, vous pouvez reprendre le programme interrompu en appuyant sur la touche START. Vous pouvez aussi enregistrer l'exercice dans la mémoire du compteur (voir Fonctions de la mémoire). En appuyant deux fois sur la touche STOP le programme d'entraînement s'arrête, le compteur affiche alors les informations sur la performance et passe en mode veille.
6. La phase de ralentissement commence automatiquement à la fin du profil. Le tapis s'arrête automatiquement. Vous pouvez enregistrer l'exercice dans la mémoire du compteur (voir Fonctions de la mémoire).

C. Les profils HRC (5-8) sont des profils d'entraînement avec contrôle par fréquence cardiaque et différents

niveaux d'effort dans lesquels vous pouvez régler vous-même la durée de l'exercice. Les profils avec contrôle par fréquence cardiaque requièrent toujours l'utilisation d'une ceinture télémétrique. Si la mesure du rythme cardiaque ne fonctionne pas, le champ de texte affiche le message d'erreur suivant CHECK TRANSMITTER. Vérifiez alors que vous avez bien respecté les instructions données pour l'utilisation de la ceinture télémétrique.

1. Appuyez sur la touche SELECT, jusqu'à ce que le voyant s'allume au niveau du profil (5-8) désiré. Appuyez sur la touche ENTER pour valider le réglage.
2. Sélectionnez un modèle de contrôle cardiaque avec les touches fléchées. Appuyez sur la touche ENTER pour valider le réglage.
3. Vous accédez au réglage de durée / distance souhaitée du profil. Le dernier réglage de durée est visible sur l'écran numérique. Appuyez sur la touche SELECT pour passer d'une valeur préprogrammée à l'autre. Vous pouvez changer la valeur avec les touches flèches (valeurs limite 10 minutes (10:00) – 3 heures (h3.00), modifications par crans de 5 minutes / 3 km – 42 km, modifications par crans de 1 km). Le réglage reste dans la mémoire du compteur tant qu'il n'est pas remplacé par une nouvelle valeur.
4. Appuyez sur la touche START, l'exercice commence et le tapis se met en route. Vous pouvez échelonner le niveau de vitesse du profil à l'aide des touches flèches, par incréments de 5 % vers le haut et vers le bas.
5. En appuyant une fois sur la touche STOP pendant l'entraînement, le tapis s'arrête et se met en mode pause pour une durée de 5 minutes. Pendant cette durée, vous pouvez reprendre le programme interrompu en appuyant sur la touche START. Vous pouvez aussi enregistrer l'exercice dans la mémoire du compteur (voir Fonctions de la mémoire). En appuyant deux fois sur la touche STOP le programme d'entraînement s'arrête, le compteur affiche alors les informations sur la performance et passe en mode veille.
6. La phase de ralentissement commence automatiquement à la fin du profil. Le tapis s'arrête automatiquement. Vous pouvez enregistrer l'exercice dans la mémoire du compteur (voir Fonctions de la mémoire).

PROFILS

(Les figures se trouvent sur les pages au dos du dépliant)

Profil 1 (Hill Walk). Ce profil est conçu avec des changements d'angles réguliers et une cadence de marche plutôt soutenue et régulière. Ce profil convient aux débutants et aux personnes pratiquant la marche. Avec les paramètres standard, la vitesse moyenne est de 5,2 km/h et la vitesse maximale de 5,8 km/h, l'angle moyen est de 2,7%.

PROFIL 2 (Hill Jog). Ce profil est basé sur des changements d'angles variables et une cadence de course relativement régulière et pas trop poussée. Ce profil convient aux débutants et pour les personnes souhaitant entretenir leur forme physique. Avec les paramètres standard, la vitesse moyenne est de 6,9 km/h et la vitesse maximale de 7,2 km/h, l'angle moyen est de 1,9%.

PROFIL 3 (Hill Run). Le profil est basé sur un angle régulier et peu prononcé ainsi que sur une cadence de course soutenue à changements réguliers. Ce profil convient aux personnes pratiquant la course à pied. Avec les paramètres standard, la vitesse moyenne est de 11,6 km/h et la vitesse maximale de 12,5 km/h, l'angle moyen est de 1,8%.

PROFIL 4 (Rolling Hills). Profil de distance: vous pouvez régler la distance du profil en kilomètres. Ce profil est développé particulièrement pour les pratiquants de la discipline, mais apporte également un changement aux exercices de maintien de forme physique. La distance maximale est de 42 km, 3km avec les paramètres pré-réglés, réglage tous les 1 km. Les paramètres d'angle sont de type intervallaire, l'angle moyen est de 2,4 %.

PROFIL 5 (Fatburner 1). Profil cardiaque à puissance basse, basé sur une augmentation et une baisse régulières du rythme cardiaque. Ce profil convient au contrôle du poids. Avec les paramètres préprogrammés, le taux cardiaque moyen est de 114, le taux maximal de 125.

PROFIL 6 (Fatburner 2). Profil cardiaque à puissance moyenne, basé sur une augmentation et une baisse du rythme cardiaque de type intervallaire. Ce profil convient au maintien de la forme physique et au contrôle du poids. Avec les paramètres préprogrammés, le taux cardiaque moyen est de 122, le taux maximal de 136.

PROFIL 7 (Cardio). Profil cardiaque de puissance moyenne, basée sur une augmentation et une baisse régulière du rythme cardiaque, le rythme cardiaque est aux environs de 130-140 pendant presque tout l'exercice. Ce profil convient parfaitement au maintien de la forme physique. Avec les paramètres préprogrammés, le taux cardiaque moyen est de 129, le taux maximal de 145.

PROFIL 8 (Fit). Profil cardiaque de puissance élevé, basé sur une augmentation et une baisse régulière du rythme cardiaque, le rythme cardiaque est aux environs de 135-145 pendant presque tout l'exercice. Ce profil convient au maintien et au développement de la forme physique. Avec les paramètres préprogrammés, le taux cardiaque moyen est de 133, le taux maximal de 150.

FONCTIONS DE LA MÉMOIRE

L'utilisation des fonctions de la mémoire nécessite un identifiant d'utilisateur: l'exercice sera enregistré sous l'identifiant sélectionné. Vous pouvez enregistrer en mémoire 5 exercices / identifiant.

ENREGISTREMENT DE VOS PROPRES PROFILS :

1. Les profils pré-réglés peuvent être enregistrés immédiatement après l'arrêt du profil. Pour arrêter un profil pré-réglé, exécutez en mode manuel et HRC, appuyez une fois sur la touche STOP, après quoi vous pouvez enregistrer l'exercice. Accédez au mode d'enregistrement en appuyant sur la touche MEM.
2. Le texte sur l'écran demande dans quel emplacement de mémoire (SAVE AS OWN 1-5) vous voulez enregistrer l'exercice. Choisissez l'emplacement souhaité

à l'aide des touches fléchées et validez votre sélection en appuyant sur la touche ENTER- l'exercice est enregistré dans cet emplacement de mémoire.

3. Si tous les emplacements de mémoire sont déjà utilisés, remplacez un ancien profil par le nouveau. Dans ce cas, le compteur demande confirmation de la validation (REPLACE OWN 1-5). Validez votre sélection en appuyant sur la touche ENTER: l'exercice est enregistré dans cet emplacement de mémoire.
4. L'écran du compteur confirme l'enregistrement (SAVED AS OWN 1-5). Le compteur repasse automatiquement en mode de démarrage.

IMPORTANT ! Il est possible d'enregistrer au maximum 30 vitesses ou modifications d'angles au cours d'un même profil. Le profil à enregistrer doit durer au minimum 10 minutes.

UTILISATION DE VOTRE PROPRE PROFIL :

1. Sélectionnez votre identifiant d'utilisateur.
2. Appuyez sur la touche MEM.
3. Appuyez sur la touche SELECT jusqu'à ce que le voyant du profil souhaité s'allume (01-5 MEMORY). Appuyez sur la touche ENTER pour valider votre sélection. Sélectionnez RERUN (utilisation du profil sans modification) ou RACE (utilisation du profil basé sur la fonction compétition) à l'aide de la touche SELECT.
4. Validez votre sélection en appuyant sur la touche ENTER.
5. Démarrez le profil en appuyant sur la touche START.
6. Dans la fonction RERUN, vous pouvez échelonner votre propre profil et l'enregistrer à nouveau avec ses modifications.

FONCTION COMPÉTITION

En choisissant l'option RACE dans la sélection de vos propres profils de vitesse/d'angle, vous pouvez entrer en compétition avec les performances que vous avez déjà réalisées. L'objectif est de courir le plus rapidement possible durant le profil.

1. Appuyez sur la touche START, l'exercice commence et le tapis se met en route.
2. Réglez votre vitesse manuellement ou à l'aide de la fonction PSC selon vos besoins.
3. L'écran du compteur vous indique, pendant l'exercice, son avancement, les changements à venir ainsi que votre statut par rapport aux performances enregistrées: le texte "YOU ARE x.xx BEHIND" indique que vous êtes la durée affichée en retrait des performances enregistrées, le texte "YOU ARE x.xx AHEAD" quant à lui indique que vous êtes la durée affichée en avance sur les performances enregistrées.
4. À la fin du profil, le tapis s'arrête automatiquement. Vous pouvez enregistrer l'exercice dans la mémoire du compteur (voir Fonctions de la mémoire).

ENTRETIEN

Pour que l'équipement puisse être utilisé en toute sécurité, il doit être régulièrement entretenu et il faut surveiller les facteurs susceptibles de provoquer des dérangements (usure des pièces, etc.). Vérifiez une fois

par an le serrage de toutes les vis et écrous. Si l'une des pièces de l'équipement présente un défaut, elle doit être immédiatement changée. L'équipement ne doit pas être utilisé s'il n'est pas en parfait état de marche.

NETTOYAGE DE L'APPAREIL ET GRAISSAGE DE LA PLAQUE DE BASE

Nettoyez la barre de soutien et l'unité des compteurs à l'aide d'un chiffon humide. N'utilisez pas de solvant. Dépoussiérez les parties visibles du châssis (entre autres tapis, plateforme et bords) régulièrement à l'aide d'un aspirateur avec bouche d'aspiration de petite taille. Passez aussi le dessous du tapis à l'aspirateur. Pour nettoyer le dessous de l'appareil, mettez-le en position de rangement.

ATTENTION ! Veillez à ce que l'environnement du tapis de course soit propre. À l'usage, le tapis de course accumule de la poussière par ex. ce qui peut poser des problèmes dans le fonctionnement de l'appareil.

En conditions d'utilisation normale (maximum 1 heure par jour) prévoir une lubrification d'entretien environ toutes les 300 heures d'utilisation. Il est possible de suivre aisément la durée totale d'utilisation de l'équipement grâce à la valeur totale d'utilisation du compteur. Vérifiez toujours que la lubrification est suffisante lorsqu'il vous semble que le tapis avance par à-coups. Lorsque le tapis est arrêté, passez de temps en temps la main sur la plaque de base ; si les doigts restent secs et que la plaque de base ne semble pas glissante, procédez à la lubrification de maintenance de la manière suivante :

1. Fixer le tuyau de lubrification à l'extrémité de la bouteille.
2. Redresser l'extrémité du tapis arrêté.
3. Faire passer le tuyau de lubrification entre le tapis et la plaque de base à une distance d'environ 20 cm de la partie avant de l'appareil.
4. Répandre le produit lubrifiant sur toute la longueur de la plaque de base, le plus possible au centre de la piste. Le contenu de la bouteille de T-Lube suffit à deux lubrifications de maintenance.
5. Le tapis est prêt pour usage à l'instant.

ATTENTION ! Utilisez uniquement du lubrifiant silicon T-Lube S de Tunturi pour le graissage de la plaque de base. Le T-Lube S est disponible auprès des vendeurs Tunturi.

IMPORTANT ! Le tapis de course devrait être utilisé au moins cinq minutes après sa lubrification avant que le châssis ne soit plié en position de rangement. Ceci pour éviter que le lubrifiant ne se répande en dehors de la piste.

REGLAGE DE L'ALIGNEMENT DU TAPIS

Surveillez la course de tapis pendant l'entraînement et effectuez immédiatement les opérations de réglage décrites ci-dessous si nécessaire. En marche, le tapis doit tourner bien en ligne. En général, le tapis n'a pas à être réaligné, si

- l'appareil a été placé sur une surface bien plane et le tapis est tendu comme il faut
- l'alignement de l'appareil est correct

A l'usage cependant, du fait par exemple que le mouvement de course de l'utilisateur peut être irrégulier, il peut arriver que le tapis se mette à dévier sur le côté. Si le tapis dévie pour déborder sur l'un des côtés, procédez comme suit :

1. Réglez la vitesse à 5 km/h.
2. Si le tapis dévie vers la gauche, tourner la vis gauche se trouvant à l'arrière du tapis d'un huitième de tour dans le sens horloge et la vis droite d'un huitième de tour dans le sens inverse. Tourner les vis d'un huitième de tour influe déjà grandement sur la course du tapis et il est donc conseillé de tourner les vis peu à la fois. Si par contre le tapis dévie vers la droite, tourner la vis droite se trouvant à l'arrière du tapis d'un huitième de tour dans le sens horloge et la vis gauche d'un huitième de tour dans le sens inverse.
3. Vérifiez que le tapis tourne maintenant bien en ligne. Dans le cas contraire, poursuivez comme indiqué précédemment. Ce réglage est important car si on laisse le tapis dévier sur un côté, il risque d'apparaître des anomalies de fonctionnement. La garantie ne couvre pas ces anomalies éventuelles.

REGLAGE DE LA TENSION DU TAPIS

Si en utilisation le tapis commence à patiner, il faudra régler sa tension. Laissez tout de même toujours le plus de jeu possible. Le réglage de la tension s'effectue à l'aide des mêmes vis que ceux de l'alignement.

1. Réglez la vitesse à 5 km/h.
2. Tourner les deux vis d'un huitième de tour dans le sens horloge.
3. Ralentissez la marche du tapis en faisant comme si vous descendiez le long d'une pente raide. Si le tapis continue à patiner, répétez les points 2 et 3.

Remarquez que si vous ralentissez trop fortement, il est normal que le tapis se mette à patiner. Si le tapis patine en permanence malgré les réglages, contactez votre vendeur.

DEFAUTS DE FONCTIONNEMENT

ATTENTION ! En dépit d'un contrôle continu de la qualité, l'appareil peut présenter des défauts ou des anomalies de fonctionnement provenant de certains de ses composants. Dans ce cas, il n'est pas cependant nécessaire d'aller faire réparer votre appareil, le problème pouvant bien souvent être résolu par simple changement de la pièce défectueuse.

Si votre tapis se comporte de façon anormale, placer l'interrupteur en position O et attendez environ 1 minute. Remettez le tapis en marche et vérifiez que l'anomalie a disparu. Si l'anomalie a disparu, vous pouvez utiliser votre appareil de façon normale. Si l'anomalie n'a pas disparu, contactez votre vendeur.

Contactez votre distributeur au cas où vous remarqueriez un défaut ou un mauvais fonctionnement

de votre l'appareil ou si vous avez besoin de pièces de rechange. Indiquez-lui la nature du problème, les conditions d'utilisation, la date d'achat, le modèle et le numéro de série. Vous trouverez la liste des pièces détachées à la fin de ce mode d'emploi. Seules des pièces mentionnées dans la liste des pièces de rechange peuvent être utilisées dans l'appareil.

CODE D'ERREUR

Lorsqu'elle détecte un défaut de fonctionnement, l'interface affiche un code d'erreur sur l'écran.

SYSTEM CHECK FAILED - Mauvais fonctionnement éventuel de la commande du moteur. Débrancher le courant du tapis de course à partir de l'interrupteur principal, attendre une minute et remettre en marche. Si le message d'erreur n'apparaît plus, vous pouvez utiliser l'appareil normalement. Si le message d'erreur ne disparaît pas, prendre contact avec le vendeur de l'appareil.

SPEED SENSOR ERROR - Mauvais fonctionnement du capteur de vitesse. Prendre contact avec le vendeur de l'appareil.

MOTOR SPEED ERROR - Mauvais fonctionnement du réglage de vitesse de la piste. Vérifier que vous utilisez l'appareil de manière appropriée : ne poussez pas la piste avec vos pieds. Débrancher le courant du tapis de course à partir de l'interrupteur principal, attendre une minute et remettre en marche. Si le message d'erreur n'apparaît plus, vous pouvez utiliser l'appareil normalement. Si le message d'erreur ne disparaît pas, prendre contact avec le vendeur de l'appareil.

MOTOR OVERLOAD - Surcharge du moteur. Vérifier que vous utilisez l'appareil de manière appropriée : ne freinez pas la piste. Vérifier que la piste est suffisamment lubrifiée, si nécessaire, procéder à une lubrification d'entretien. Débrancher le courant du tapis de course à partir de l'interrupteur principal, attendre une minute et remettre en marche. Si le message d'erreur n'apparaît plus, vous pouvez utiliser l'appareil normalement. Si le message d'erreur ne disparaît pas, prendre contact avec le vendeur de l'appareil.

LIFT MOTOR ERROR - Mauvais fonctionnement du moteur de levage. Prendre contact avec le vendeur de l'appareil.

LIFT MOTOR OVERLOAD - Surcharge du moteur de levage. Vérifier que vous utilisez l'appareil de manière appropriée : ne surchargez pas le moteur en changeant en permanence le réglage d'angle. Débrancher le courant du tapis de course à partir de l'interrupteur principal, attendre une minute et remettre en marche. Lors de la mise en marche, le tapis effectue automatiquement le calibrage du moteur de levage. Si le message d'erreur n'apparaît plus, vous pouvez utiliser l'appareil normalement. Si le message d'erreur ne disparaît pas, prendre contact avec le vendeur de l'appareil.

CODE D'ENTRETIEN

CHECK LUBRICATION. Vérifier que la piste est suffisamment lubrifiée. Si nécessaire, procéder à une lubrification d'entretien. Appuyez deux fois sur la touche ENTER, et le code disparaît.

TRANSPORT ET RANGEMENT

Vous pouvez lever la surface de course de T60F dans une position de rangement. Le tapis doit absolument être arrêté avant d'être redressé en position de rangement. Débrancher le courant à partir du commutateur et débrancher le fil électrique de la prise et du tapis de course. Saisir la partie arrière de la piste et la soulever jusqu'à ce que le ressort à gaz se verrouille. **IMPORTANT !** Ne jamais laisser la piste en position de rangement uniquement reposant sur les ressorts à gaz ! L'appareil se soulève automatiquement en position de rangement en prenant appui sur les roulettes de transport. Déplacer l'équipement en le poussant sur les roulettes de transport. Déverrouiller le verrouillage du ressort à gaz en appuyant légèrement avec le pied sur le ressort à gaz du côté gauche, sur le point de verrouillage indiqué par un autocollant. Abaisser prudemment la piste.

ATTENTION ! Placez une protection sous l'appareil. Transporter l'appareil avec l'attention extrême au-dessus des surfaces inégales, par exemple au-dessus d'une marche. L'appareil ne doit jamais être transporté dans les escaliers à l'aide des roulettes de transport, au lieu de cela il doit être porté. Le déplacement de l'équipement peut abîmer certains revêtements de sol, par ex. les parquets en bois. Dans ce cas, veillez à protéger le sol. Il peut être nécessaire d'ajuster à nouveau l'alignement du tapis après un déplacement de l'appareil.

Pour garantir un bon fonctionnement à votre appareil, rangez-le dans un endroit sec, sans variations de température importantes, et protégez-le contre les poussières. N'oubliez pas de débrancher votre appareil après chaque utilisation.

CARACTERISTIQUES TECHNIQUES

Longueur	202 cm
(Position de rangement	115 cm)
Hauteur	138 cm
(Position de rangement	175 cm)
Largeur	94 cm
Poids	107 kg
Surface de course	51 x 138 cm
Vitesse	0,5-16,0 km/h
Angle d'inclinaison	0-10 %
Moteur	2,0 ch (1,49 kW)

Les appareils Tunturi ont été conçus afin de satisfaire aux exigences posées par la directive communautaire concernant la compatibilité électromagnétique, EMC (EN 61000-6-1, EN 61000-6-3, 61000-3-3) et les appareils électriques destinés à une utilisation dans certaines limites de tensions (EN 60335-1). Les produits portent en conséquence le label CE. Le T60F est conforme aux normes CEN de définition et de sécurité (Classe HA, EN-957, paragraphe 1 et 6).

Du fait de sa politique de développement continu des produits, Tunturi se réserve le droit de modifier les spécifications sans préavis.

ATTENTION ! La garantie ne couvre pas les dommages dus à une négligence des instructions d'assemblage, de réglages ou de maintenance données dans ce mode d'emploi. Suivez les instructions scrupuleusement pour l'assemblage, l'utilisation et la maintenance de votre équipement. Des changements ou modifications non expressément approuvés par Tunturi Oy Ltd rendront nulle l'autorité de l'utilisateur sur l'équipement.

Nous vous souhaitons d'agréables et nombreuses séances d'exercice avec votre partenaire d'entraînement Tunturi!

INHOUD

OPMERKINGEN EN ADVIEZEN.....	40
MONTAGE.....	40
FITNESS TRAINING.....	41
HARTSLAG.....	42
METER.....	43
INSTELLING VAN GEBRUIKERGEGEVENS.....	44
POSITION SPEED CONTROL (PSC).....	44
TRAININGSKEUZE.....	45
MANUELE TRAINING.....	45
HARTSLAGAANGEPASTE TRAINING.....	45
CONDITIETEST.....	46
TRAININGSPROFIELEN.....	47
GEHEUGENFUNCTIE.....	49
ONDERHOUD.....	49
GEBRUIKSSTORINGEN.....	50
STORINGEN.....	50
TRANSPORT EN OPSLAG.....	51
TECHNISCHE GEGEVENS.....	51

OPMERKINGEN EN ADVIEZEN

Deze gids is een essentieel onderdeel van uw Tunturi looptrainer. Lees deze gids zorgvuldig door vóórdat u begint met monteren, gebruiken of onderhouden van uw looptrainer. Bewaar de gids op een handige plaats. U kunt er, nu en in de toekomst, nuttige informatie uithalen die u nodig heeft voor het gebruik en het onderhoud van de apparatuur. Volg de instructies altijd met zorg op.

- De trainer mag alleen worden aangesloten op een geaard stopcontact. Het stroomverbruik bedraagt maximaal 10 A. Het gebruik van een verlengsnoer is niet toegestaan. Spanningsfluctuaties van meer dan 10 % kunnen storingen in de werking van de trainer veroorzaken of de elektronische componenten beschadigen. Indien de netspanning onvoldoende gereguleerd is of de trainer anderszins niet overeenkomstig deze gebruiksaanwijzing wordt aangesloten, vervalt de garantie.

- De T60F mag alleen worden aangesloten op een geaard stopcontact. Het gebruik van een verlengsnoer is niet toegestaan.

- Beperk u tot het onderhoud en instellingen zoals in deze handleiding worden beschreven. Stop direct als zich andere problemen voordoen en vraag advies bij uw Tunturi specialist.

- Laat door een arts, voordat u met trainen begint, uw gezondheid controleren.

- Mocht u tijdens het trainen last krijgen van misselijkheid, duizeligheid of andere niet normale verschijnselen, stop dan direct uw training en raadpleeg een arts.

- Bij het afstellen en het onderhouden van de trainer dient u deze gebruiksaanwijzing op te volgen. Bij montage- en onderhoudswerkzaamheden dient u eerst de hoofdschakelaar van de looptrainer, uit te schakelen en de stekker uit het stopcontact te nemen.

- De T60F mag niet worden gebruikt door personen die zwaarder zijn dan 135 kg.

- Gebruik de looptrainer alleen binnenshuis. De ideale gebruikstemperatuur is tussen +10°C en +35°C. De luchtvochtigheid mag nooit hoger dan 90 % zijn.

- De T60F is voor thuisgebruik. De garantietermijn

van de T60F bij thuisgebruik is 24 maanden. De garantie vervalt bij schade ontstaan tijdens vervoer of door het niet volgen van de in deze handleiding gegeven instructies betreffende het monteren, afstellen en onderhoud van het apparaat.

WELKOM IN DE WERELD VAN TUNTURI-TRAINING!

Uw keuze toont aan, dat u echt in uw gezondheid en conditie wilt investeren. Het bewijst ook, dat u kwaliteit en stijl belangrijk vindt en dit waardeert. Met deze Tunturi looptrainer heeft u een veilig, motiverend, kwaliteitsproduct als trainingspartner gekozen. Wat uw trainingsdoel ook is, wij zijn ervan overtuigd dat de keuze van deze trainer de juiste is, om uw doel te bereiken. Informatie betreffende het gebruik van Uw trainingsapparatuur en een efficiënte training hiermede kunt U in deze gids en Tunturi's website WWW.TUNTURI.COM vinden.

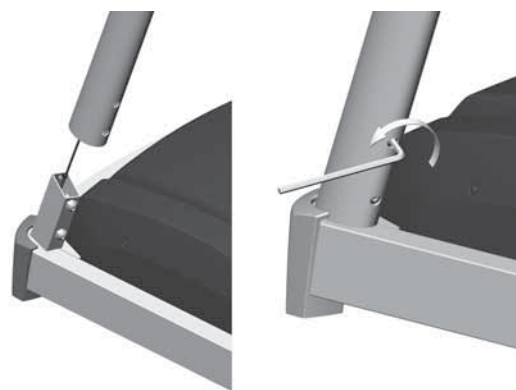
MONTAGE

Controleer of de verpakking alle onderdelen bevat:

1. Frame
2. Voorleuningen
3. Dwarssteun
4. Meter
5. Elektriciteits snoer
6. Set met montagebenodigdheden (met * in de onderdelenlijst): Bewaar de montagebenodigdheden, omdat u die o.a. nog bij de bijstelling van de apparatuur kunt gebruiken.

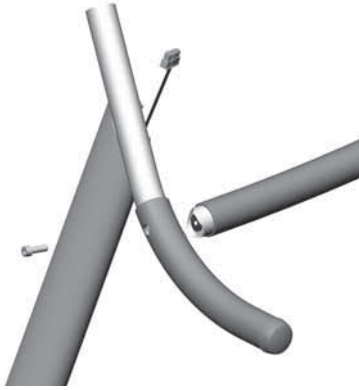
De aanduidingen rechts, links, voor en achter betekenen steeds rechts, links enz. gezien vanuit de gebruiker, staand op de loopmat. Neem bij problemen contact op met uw Tunturi dealer. Voor de montage zijn twee personen nodig. Monteer de looptrainer als volgt:

VOORLEUNINGEN



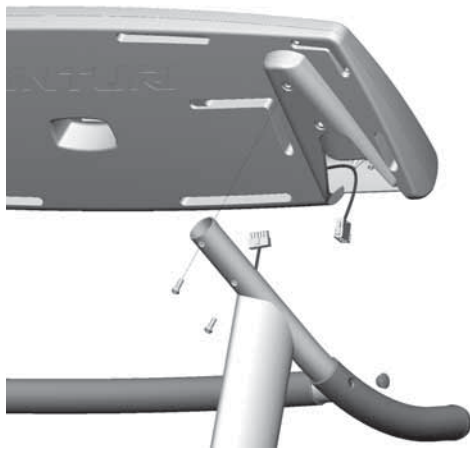
BELANGRIJK! De bevestigingsbouten zijn al geplaatst, draai deze niet los! Let op, door de linker stuurstang loopt een kabel: pas op dat deze niet geheel in het stuur verdwijnt! Monteer de voorleuningen op hun plaats aan de zijkanten van het frame. Trek tegelijk het snoer omhoog dat uit de linker voorleuning komt, zodat dit niet bekneld raakt tussen de voorleuning en het frame. Draai de schroeven pas strak vast nadat u de dwarssteun en de meter heeft gemonteerd.

DWARSSTEUN



Plaats de dwarssteun zo tussen de voorleuningen, dat de bolle zijde naar de achterkant van de loopmat wijst. Bevestig de dwarssteun met inbusbouten aan beide zijden op de voorleuningen. Tip: klem de schroef op de sleutel voordat u deze door de doorvoeropening in het stuur duwt.

METER



Sluit het snoer dat uit de linker voorleuning komt aan op de stekker van het snoer van de meter en duw het aangesloten snoer de voorleuning in. Duw de meter vast op de uiteinden van de voorleuningen en bevestig hem met vier inbusbouten aan de achterkant van de meter. Het bevestigen gaat eventueel wat gemakkelijker als u de dwarse handsteun losmaakt. Maak de handsteun echter niet los aan de kant waar de zwarte, rubberen moer zit.

Draai nu de bevestigingsschroeven van de voorleuningen vast. Steek het uiteinde van de inbusleutel door de opening in de voorleuning om bij de kop van de bevestigingsbout te komen. **BELANGRIJK!** De bevestigingsbouten tegen de klok in vastdraaien! Zet ze niet te strak vast. Sluit de openingen in de voorleuningen af met de plastic pluggen. Trek de folie van het display af. Het bevestigen gaat makkelijker als u het stuur iets naar voren duwt terwijl u de schroeven vastdraait.

NOODSTOP

De looptrainer en het bedieningspaneel werken alleen indien de veiligheidssleutel correct is geplaatst: als de veiligheidssleutel niet of niet juist is geplaatst, verschijnt op het display een foutmelding. Controleer of de knijper van de veiligheidssleutel goed aan uw kleding is bevestigd. Het koord van de sleutel mag, wanneer er aan getrokken wordt, niet los kunnen schieten van uw kleding voordat de sleutel uit het bedieningspaneel komt.

ELEKTRICITEITSSNOER

Controleer, vóór u het apparaat aansluit op het elektriciteitsnet, of het voltage overeenkomt met het voltage dat aangegeven staat op het typeplaatje van uw apparatuur. Sluit de stroom aan het toestel met de stroomschakelaar naast de stekker aan. **BELANGRIJK!** De T60 mag alleen worden aangesloten op een geaard stopcontact. Het gebruik van een verlengsnoer is niet toegestaan.

FITNESS TRAINING

Men moet zich voor de training zorgvuldig op de hoogte stellen van de werking en het gebruik van deze motorisch aangedreven loopmat.

Trainen op een looptrainer is een uitstekende aërobe training. Het basisidee is een voldoende lichte training die langere tijd kan worden volgehouden. Aërobe training bevordert het zuurstofopnamevermogen van het lichaam, waardoor ook het uithoudingsvermogen en de conditie verbeteren. Het menselijk vermogen tot het verbranden van vet is afhankelijk van dit zuurstofopnamevermogen.

Aerobische lichaamsbeweging moet vooral prettig aanvoelen. Zweeten "moet", maar de hartslag mag niet te hoog worden. Zo kan men ook langer trainen. De aanbevolen trainingstijd is drie keer per week 30-60 minuten, afhankelijk van de basisconditie, het gewenste effect en de mogelijkheid om te trainen.

Als u wilt trainen door te wandelen, kunt u de mate en de wijze van inspanning variëren door de hellingshoek van de loopmat te wijzigen. Wandeltraining kan ook woden gevarieerd door tegelijkertijd de armspieren te trainen door kleine gewichten in de hand te nemen. Let dan wel op uw evenwicht en andere veiligheidsaspecten.

Informatie betreffende het gebruik van Uw trainingsapparatuur en een efficiënte training hiermede kunt U in deze gids en Tunturi's website www.tunturi.com vinden.

OVER DE RUIMTE WAAR U TRAJNT

- Zorg ervoor dat de ruimte waar u traint goed geventileerd wordt, maar dat het er niet tocht. Dit voorkomt kouvatten.
- Gebruik de looptrainer alleen binnenshuis.
- Plaats de trainer op een zo vlak mogelijke ondergrond, met aan de voorkant en aan de zijkanten minstens 100 cm vrije ruimte en aan de achterkant minstens 100x200 cm. Zorg er ook voor dat er tijdens

het gebruik van de loopmat geen kinderen of huisdieren in dit gebied kunnen komen.

- Het is beter om de apparatuur op een extra stuk vloerbedekking of rubberen mat te plaatsen. Bij zware transpiratie is de vloer dan ook makkelijker schoon te maken.

OVER HET GEBRUIK VAN DE APPARATUUR

- Ouders of volwassenen die verantwoordelijk zijn voor kinderen moeten zich altijd realiseren dat de speelsheid en nieuwsgierigheid van kinderen, kan leiden tot situaties waarvoor de apparatuur niet is ontworpen. Gebruik van de apparatuur door kinderen mag daarom alleen plaatsvinden onder supervisie van een volwassene.
- De T60F mag door slechts één persoon tegelijk gebruikt worden.
- Blijf altijd met uw handen uit de buurt van de band wanneer deze in beweging is. Zorg ervoor dat er zich geen obstakels onder het onderstel van de trainer bevinden en steek geen handen, voeten of voorwerpen tussen bewegende delen.
- Draag tijdens de training de juiste kleding en schoenen. Zorg ervoor dat uw schoenveters goed gestrikt zijn. Gebruik schoenen die alleen binnen worden gedragen. Steentjes, zand en ander vuil afkomstig van buitenschoenen, kunnen extra slijtage en/of storingen veroorzaken.
- Controleer voordat u met de training begint of de looptrainer in orde is. Gebruik de looptrainer nooit indien deze defect is.
- Gebruik de trainer alleen indien de behuizing en de beschermkappen correct zijn aangebracht.
- Laat de mat nooit zonder toezicht lopen.

BEGINNEN MET DE TRAINING

- Om spierpijn te voorkomen, begin en eindig uw training met enkele rek en strek oefeningen.
- Ga voordat u de looptrainer start wijdbeens staan op de grijze treeplanken, die zich aan weerszijden van de band bevinden en start dan pas de looptrainer. Start de looptrainer nooit terwijl u er op staat.
- Begin de training met lage snelheid en vergroot de snelheid en / of de hoek geleidelijk aan. Dat kunt u doen op gevoel; houd rekening met uw conditie.
- Houdt u altijd, bij het op- en afstappen van de band, of wanneer u tijdens het lopen de bandsnelheid wijzigt, vast aan de handgrepen. Spring nooit van een draaiende loopmat af!
- Houd uw rug en nek recht. Zo voorkomt dat uw nek, schouders en rug vast gaan zitten en pijn gaan doen. Loop altijd zoveel mogelijk in het midden van de mat en blijf zo ver van de meter af dat deze u niet hindert, maar dat u er wel goed bij kunt.
- Als er tijdens de training storingen aan het apparaat optreden, pak dan de handsteun vast en ga direct wijdbeens staan, met de voeten op de randplaten van de mat. Schakel de loopmat uit en kijk in de gebruiksaanwijzing bij Storingen.
- Mocht u tijdens het trainen last krijgen van misselijkheid, duizeligheid of ander abnormale verschijnselen, stop dan direct uw training en raadpleeg een arts.

NA IEDERE TRAINING

- Houd niet plotseling op met de training, maar verminder de snelheid geleidelijk aan. Vergeet na de training de rekoefeningen niet.
- Neem de veiligheids sleutel uit het bedieningspaneel.
- Schakel de stroom uit via de hoofdschakelaar.
- Neem de stekker uit het stopcontact en neem het snoer uit de trainer.
- Met een vochtige doek de looptrainer schoonmaken. Gebruik geen oplosmiddelen.
- Berg het snoer op een veilige plaats op, buiten het bereik van kinderen.

HARTSLAG

Wat uw doel, uw streven ook met het trainen is, u bereikt het beste resultaat door te trainen op een niveau dat u aankunt. Daarvoor is, zoals gezegd, uw hartslag de beste graadmeter. De telemetrische borstbandsensor is het meest betrouwbare systeem, dat werkt met een borstband met meerdere elektrodes waarvan de gemeten waarden draadloos doorgeseind worden naar de monitor. Als u een pacemaker heeft, moet u eerst uw arts raadplegen over het gebruik van draadloze hartslagmeting.

BELANGRIJK! Als u een pacemaker gebruikt, mag u de borstband alleen met toestemming van een arts gebruiken.

Wanneer u uw hartslag tijdens de training op deze manier wilt controleren, moeten de geribbelde elektroden aan de binnenzijde van de borstband vochtig gemaakt worden (water). Plaats de zender juist onder de borst met de elastische band strak genoeg om tijdens het fietsen de elektroden contact te laten houden met de huid, maar niet zo strak dat normaal ademen wordt belemmerd.

De zender geeft de hartslag automatisch door aan de monitor die zich niet verder dan één meter van de borstband mag bevinden. Wanneer de zender verder van de monitor verwijderd is, wordt het signaal te zwak om te ontvangen. Let er ook op dat niet meerdere personen met een borstband om, binnen een straal van één meter rond de monitor staan, want de monitor ontvangt dan van elke elektrode een signaal en telt deze dan bij elkaar op. Door vocht en transpiratie op de elektrodes kan de zender aan blijven staan. Om lege batterijen te voorkomen maakt u de elektrodes na gebruik goed schoon en droog.

Denkt u eraan wat de trainingskleding betreft, dat bepaalde in de kleding gebruikte vezels (zoals polyester of polyamide) statische electriciteit veroorzaken, wat bij de hartslagmeting problemen veroorzaken kan. Denkt u eraan dat mobiele telefoons, een teevée of andere elektronische apparaten een electromagnetisch veld om zich heen vormen, wat bij de hartslagmeting problemen veroorzaken kan.

Om te beginnen dient u te weten wat uw maximale hartslag is: dit is de hartslag die bij meer inspanning niet meer hoger wordt. Als u niet weet wat uw maximale hartslag is, kunt u de volgende formule als leidraad

nemen:

208 – 0,7 X DE LEEFTIJD

Het maximum varieert van persoon tot persoon. De maximale hartslag daalt per jaar met gemiddeld èen punt. Als u tot de risicogroepen behoort, vraag dan een arts uw maximale hartslag te bepalen. Om u te helpen met uw training, hebben wij drie verschillende hartslag niveaus geselecteerd.

BEGINNER: 50 tot 60 % van de maximale hartslag

Dit niveau is ook geschikt voor mensen die lijnen, mensen die hersteltende zijn van een ziekte en mensen die lang niet getraind hebben. Drie trainingen van tenminste een halfuur per week zijn aan te bevelen. Regelmatig trainen stimuleert bij een beginner de ademhaling en bloedsomloop in sterke mate en zorgt al snel voor een merkbaar resultaat.

GEMIDDELDE SPORTER: 60 tot 70 % van de maximale hartslag

Een perfect niveau om de conditie te verbeteren en op peil te houden. Zelfs een redelijk normale inspanning - minimaal 3 trainingen van 30 minuten per week - heeft een positief effect op hart en longen. Om uw conditie verder te verbeteren kunt u het aantal keren trainen per week verhogen of de duur van uw training verlengen. Verhoog echter nooit beide tegelijkertijd!

GETRAINDE SPORTER: 70 tot 80 % van de maximale hartslag

Trainen op dit niveau is alleen weggelegd voor wie écht fit is en wie gewend is aan langdurige conditie trainingen.

METER

TOETSEN

START

Begin met de door u gekozen training.

SNELHEID (Haas / Schildpad)

Door op de toets HAAS te drukken kunt u de snelheid van de band te doen toenemen in stappen van 0,1 km/h. De SCHILDPAD - toets dient om de snelheid van de band laten afnemen in stappen van 0,1 km/h. Langer op deze toetsen drukken maakt dat de snelheid sneller verandert. De loopbandsnelheid is van 0,5 tot 16,0 km/h.

LOOPHOEK

Door op de loophoek omhoog –toets te drukken, verhoogt u de hellinghoek telkens met 0,5 %; door op de loophoek omlaag –toets te drukken, verlaagt u de hellinghoek met telkens 0,5 %. Als u een toets ingedrukt houdt, versnelt u de verandering. De hellinghoek kunt u van 0 tot 10 % veranderen.

PIJLTOETSEN

Op de gebruikerinstelling kunt u de instellingswaarden veranderen met behulp van de toetsen van de

snelheidsregeling. Op de hartsлагаangepaste training kunt u het hartsलगniveau veranderen met behulp van de toetsen van de snelheidsregeling. Pijl omhoog-toets te drukken, verhoogt u de moeilijkheidsgraad; door op de pijl omlaag-toets te drukken, verlaagt u de moeilijkheidsgraad.

STOP / PAUSE / RESET

U beëindigt de training door op de STOP-toets te drukken. Als U éénmaal op de STOP-toets drukt, gaat de loopmat over op een 5 minuten durende pauze, en tegelijk begint de meting van de herstel hartslag automatisch. Tijdens deze 5 minuten kunt u de afgebroken training herstarten door het drukken op de START-toets. U beëindigt de training door nog eens op de STOP-toets te drukken. Indien u de STOP-toets 2 seconden ingedrukt houdt, zet u de monitor op nul. De meter keert in de uitgangspositie.

SELECT

Voordat u de START-toets indrukt, kunt u via de SELECT-toets de trainingsmethode kiezen. Wanneer u de training heeft gestart, kunt u via de SELECT-toets de profieldisplay kiezen.

ENTER

Bevestig hiermee uw keuze (trainingsmethode of -programma, gebruikerinstelling).

MEMORY

Met de MEM-knop kunt u de zojuist afgesloten training in het geheugen van de meter opslaan. Daarvoor is een gebruikerscode vereist. Elke gebruikerscode heeft 5 geheugenlocaties.

PSC

Met de PSC-functie kunt u zonder de meter aan te hoeven raken de snelheid van de loopmat tijdens de training wijzigen, door een andere plaats op de mat te kiezen. Voor de PSC-functie is het nodig dat de hartslagmeter in gebruik is. De PSC-functie kan worden gebruikt bij met de hand in te stellen training, bij HRC-training die wordt bestuurd door de hellingshoek, in het Rolling Hills-profiel en bij beide conditietesten.

SET

De SET-knop dient voor de selectie van uw gebruikerscode, voor het instellen van uw gebruikersgegevens, voor selectie van de meeteenheden die het toestel gebruikt en voor het bekijken van de totale loopafstand en loopuren van het toestel.

T-WARE PROGRAMMA

Deze trainer is geschikt voor het gebruik van de T-Ware fitness test- en conditieprogramma. Informatie betreffende het gebruik van T-Ware kunt U in Tunturi's website www.tunturi.com vinden.

FUNCTIES

HEART RATE (hartslagmeting)

45-220 bpm. Het hartslaglampje licht altijd op, als de meter het hartsignaal registreert.

KCAL (Calorieën)
Calorieverbruik 0-9999 kcal met 1 kcal nauwkeurigheid

ELEVATION (loophoek)
0-10 %, met 0,5 % nauwkeurigheid

TIME (tijd)
Trainingstijd 0:00 - 99:59 met 1 s nauwkeurigheid, h1:
40-h9:59 met 1 min nauwkeurigheid

DISTANCE (Afstand)
Trainingsafstand 0,00-99,99 km met 0,01 km
nauwkeurigheid

SPEED (Snelheid)
Snelheid van de mat 0,5-16,0 km/h, met 0,1 km/h
nauwkeurigheid. De controlelamp geeft de geselecteerde
eenheid aan (km/h, mph, pace = minuut / kilometer).

GRAFIEK/TEKSTDISPLAY
Het model T60F heeft een gecombineerd tekst- en
profieldisplay, dat in het Engels informatie verstrekt aan
het begin van en tijdens de training.

INSTELLING VAN

GEbruIKERGEDEVENs

Wij adviseren u om een gebruikerscode te kiezen en uw persoonlijke gegevens op te slaan. Deze informatie wordt o.a. gebruikt bij het schatten van uw persoonlijke calorieverbruik. Verder kunt u instellen met welke meeteenheden het toestel moet werken en de totaalwaarden van het toestel bekijken. Met uw gebruikerscode kunt u ook uw zojuist afgesloten training opslaan.

1. Druk de SET-toets. Kies met de pijltoets gebruikerscode 1-4. Bevestig de waarde van de instelling met de ENTER-toets. LET OP! Onder "NO USER" staan toestelinstellingen, met totale loopafstand en -tijd.
2. Stel de meeteenheden in (Metric = gegevens volgens het metrische systeem / Imperial = gegevens in Engelse eenheden): verander de instelling met de pijltoets en bevestig de ingestelde waarde met de ENTER-toets; u gaat dan verder naar de volgende instelling.
3. Geef uw gewicht op. Verander de instelling met de pijltoets en bevestig de ingestelde waarde met de ENTER-toets; u gaat dan verder naar de volgende instelling. Deze gegevens zijn nodig voor de inschatting van het energieverbruik.
4. Stel het geslacht in (Male = man / Female = vrouw): verander de instelling met de pijltoets en bevestig de ingestelde waarde met de ENTER-toets; u gaat dan verder naar de volgende instelling. Deze gegevens zijn nodig voor de inschatting van het energieverbruik.
5. Stel de leeftijd van de gebruiker in: verander de instelling met de pijltoets en bevestig de waarde van de instelling met de ENTER-toets; u gaat dan verder naar de volgende instelling. Deze gegevens zijn nodig voor de inschatting van het energieverbruik.
6. Stel het gebruik van het signaalteken in (ON = signaalteken klinkt / OFF = signaalteken klinkt niet): Bij profieltraining meldt de meter profielwijzigingen van

tevorens d.m.v. een geluidssignaal. Verander de instelling met de pijltoets en bevestig de ingestelde waarde met de ENTER-toets; u gaat dan verder naar de volgende instelling. **BELANGRIJK!** U kunt de eenheden tijdens het trainen instellen: druk de SET-toets, verander de instelling met de pijltoets en bevestig met de ENTER-toets.

7. Stel de eenheden van het display in (km/h, min/km, mph, min/mijl). Verander de instelling met de pijltoets en bevestig de ingestelde waarde met de ENTER-toets; u gaat dan verder naar de volgende instelling.

8. Stel voor training met PSC- of hartslagbesturing de topsnelheid van de loopmat in met de pijltoets: bij deze trainingvormen wordt de snelheid gekozen op basis van de hartslag. Als er geen topsnelheid is opgegeven, kan deze tijdens de training te hoog worden. De standaardwaarde voor de topsnelheid is 12 km/h. Verander de instelling met de pijltoets en bevestig de ingestelde waarde met de ENTER-toets; u gaat dan verder naar de volgende instelling.

9. Op het display TOTAL TIME -ziet u uw eigen totale gebruiksduur van de loopmat. Door de ENTER-toets in te drukken, gaat u verder naar het volgende display.

10. Op het display TOTAL DIST -ziet u uw eigen loopafstand op de loopmat. Door de ENTER-toets in te drukken, keert u terug naar de instelling van gebruikergegevens, met de START-toets laat u de getoonde gebruikerinstelling verdwijnen.

Wanneer u uw gegevens heeft ingevoerd, kunt u deze later benutten door aan het begin van de training uw eigen gebruikerscode te selecteren. De gekozen gebruikerscode blijft in het geheugen van de meter tot er een andere code in gebruik wordt genomen, of tot de veiligheidssleutel wordt verwijderd of de stekker uit het stopcontact wordt getrokken.

POSITION SPEED CONTROL (PSC)

In de functie Position Speed Control (PSC) regelt u de snelheid van de loopmat door uw plaats op de mat te veranderen. De snelheid van de loopmat verhoogt, als u zich naar voren beweegt, en ze verlaagt, als u zich naar achteren beweegt, en ze blijft dezelfde, als u zich op het middenvlak van de loopmat blijft voortbewegen.

BELANGRIJK! Het gebruik van de PSC-functie veronderstelt het gebruik van een Polar T41 hartslagriem. Als teken van de meter dat de hartslagmeting functioneert, knippert - als de display de Heart Rate aangeeft - er een vierkantje op.

BELANGRIJK! Maak de klem van de veiligheidssleutel altijd zorgvuldig aan uw hemd vast als u de PSC-functie gebruikt. Regel de lengte van de snoer van het veiligheidssleutel zo, dat het zich van de meter losmaakt, als u te ver naar achteren gaat.

BELANGRIJK! Als u met behulp van de PSC-functie traint, mag er in de nabijheid van de loopmat geen andere hartslagzender zijn - de onderlinge afstand tussen de loopmatten moet minstens twee meter bedragen; gelijktijdige signalen van twee zenders brengen de gebruikersveiligheid in gevaar, omdat ze de sturing van

de PSC-functie in de war brengen.

Tijdens het instellen van de PSC-functie moet de loopmat stilstaan.

1. Begin het gebruik van de PSC-functie door de limieten van de snelheidsbereiken in te stellen. Druk dan op de PSC-toets van de meter.
2. Op het display komt de tekst PSC ON (functie aan) of PSC OFF (functie uit), afhankelijk van de laatste instelling van de meter. Stel in PSC ON met de pijltoetsen en druk op ENTER.
3. Op het display verschijnt de tekst PRESS ENTER TO CALIBRATE PSC OR START TO EXIT (Druk op ENTER om naar de PSC-instellingen te gaan of op START als u niets meer wilt instellen). Ga in het midden van de mat staan. Ongeveer 10 cm voor dat punt zal de mat sneller gaan en ongeveer 20 cm achter dat punt zal de mat langzamer gaan. Druk ENTER, waardoor op het display verschijnt de tekst PLEASE WAIT 8 en de meter uw loopafstand meet op basis van het hartslagsignaal. Als de meting van 8 seconden voorbij is, verschijnt er op de display de tekst CALIBRATION READY PRESS START (instelling gereed, begin functie met START-knop).
4. Indien de meter niet op het hartslagsignaal reageert of indien er een probleem ontstaat bij de meting van de loopafstand, laat de meter op de display weer het teken CALIBRATION verschijnen. Bij zulke storingsituaties verschijnt er op de display gedurende vijf seconden de tekst CHECK TRANSMITTER. Controleert u in dat geval of u de gegeven aanwijzingen over het gebruik van de hartslaggordel op de juiste manier hebt opgevolgd.

Als de limieten van de snelheidsbereiken naar uw mening in orde zijn, kunt u de PSC-functie voortaan in gebruik nemen door PSC ON instellen, de ENTER en START-toets te drukken en daarna de trainingsvorm te kiezen, die u wenst. Als u de marges van de snelheidsbereiken wilt veranderen, herhaal dan stappen 1-3 door op een geschikter punt op de mat te gaan staan.

1. Kies de trainingsvorm Manual, Rolling Hills, en conditietest of de op de instelling van de hellingshoek gebaseerde standaardhartslagtraining. Hierbij kunt u de snelheid van de loopmat regelen met behulp van de PSC functie. Of de PSC-functie geactiveerd is, kunt u zien, doordat het PSC-lichtsignaal van de meter brandt. De gegevens op de balken laten zien, in welk snelheidsbereik u zich telkens bevindt (haas = sneller, - = standaard, schildpad = langzamer).
2. Begin uw trainingskeuze door op de START-toets te drukken en regel de snelheid van de loopmat door er naar voren of naar achteren op te bewegen. Let u er wel op, dat tijdens de PSC functie ook de toetsen van de snelheidsregulator (schildpad/haas) functioneren. BELANGRIJK! Indien de PSC-functie u niet al van vroeger bekend is, raden wij u aan, u in een rustig trainingstempo met deze functie vertrouwd te maken.
3. U schakelt het gebruik van de PSC-functie uit door na beëindiging van uw training twee keer op de STOP-

toets te drukken.

TRAININGSKEUZE

Druk de SELECT-toets zo lang in, totdat het signaallampje brandt naast de door u gewenste training. U kunt dus kiezen:

1. een manueel doorgevoerde oefening, waarbij u zelf tijdens de training zowel de snelheid als de hoek kunt regelen;
2. een hartslagaangepaste HRC-training, waarbij de loopmat automatisch wordt geregeld zodat u permanent bij de door u ingestelde hartslag traint. Zulke hartslagaangepaste profielen vereisen altijd het gebruik van de hartslaggordel;
3. conditietest: de mat biedt twee testmogelijkheden, een wandeltest van 2 km of een Coopertest van 12 minuten.
4. een voorgegeven trainingsprofiel, waarbij de snelheid/hellingshoek of het hartslagniveau op een vooraf ingestelde manier afwisselen.

MANUELE TRAINING

DIRECT BEGINNEN:

1. Manuele training is de uitganginstelling van de loopmat. U kunt de training direct beginnen door op de START-toets te drukken. De mat beweegt nu met een snelheid van 1,5 km/h.

BEGIN VIA DE GEBRUIKERSINSTELLINGEN:

2. Als u uw gebruikersgegevens wilt benutten of uw training wilt opslaan, geef dan uw gebruikersgegevens op of kies uw gebruikerscode (1-4). Met de START-toets bevestigt u de instelling.
3. Druk de SELECT-toets in, totdat het signaallampje naast de MANUAL-tekst brandt.
4. Druk de START-toets in. De mat beweegt nu met een snelheid van 1,5 km/h. U kunt deze snelheid verder regelen met de Haas/Schildpad-toetsen en met PSC.
5. Om de minuut verschijnen op het profieldisplay de snelheidsgegevens van de training. Na verloop van 20 minuten verdwijnt het displaybeeld van de monitor naar links en kunt u de snelheidsgegevens van de afgelopen 20 minuten aflezen. Als u tijdens de training op SELECT drukt, komen op het monitor de cumulatieve snelheids-, hellings- en hartslagprofiel te staan.
6. Door tijdens de training de STOP-toets 1 x in te drukken, staat de mat stil en gaat in een vijf minuten durende pauzetijd over. Gedurende deze tijd kunt u de onderbroken training voortzetten door de START-toets te drukken. In de wachtmodus kunt u ook de training in het geheugen opslaan (zie bij Geheugenfunctie). Door twee keer op de STOP-knop te drukken, beëindigt u het trainingsprogramma; het display toont de gegevens over de geleverde prestatie en gaat terug in de startmodus.

HARTSLAGAANGEPASTE TRAINING

Gecontroleerde hartslagtrainingen geven de mogelijkheid tot training op een gewenst hartslagniveau. Hartslagaangepaste profielen veronderstellen altijd het gebruik van de hartslaggordel. Als de hartslagmeting

niet functioneert, verschijnt er in het tekstveld het foutteken CHECK TRANSMITTER. Dan moet u controleren of u de gegeven aanwijzingen voor het gebruik van de hartslag gordel hebt opgevolgd.

1. Als u uw gebruikersgegevens wilt benutten of uw training wilt opslaan, geef dan uw gebruikersgegevens op of kies uw gebruikerscode (1-4). Met de ENTER-toets bevestigt u de instelling.

2. Druk de SELECT-toets in, totdat het signaallampje naast de HRC-tekst brandt. Met de ENTER-toets bevestigt u de instelling.

3. Selecteer met de pijltoetsen een van de volgende hartslagmodellen:

a) Snelheid besturing = De looptrainer houdt uw hartslag door middel van de snelheidsbesturing constant. Indien gewenst is de loophoek ook tijdens de training te veranderen.

b) Loophoek besturing = De besturing van de hartslag is door de hellinghoek van de band aan te passen. In deze mode, wordt de snelheid aangepast door op het Haas of op de Schildpad-toets te drukken. Bij deze trainingsvorm regelt u zelf de snelheid van de loopmat via de PSC-functie of met behulp van de haas/schildpad-toetsen.

c) Combinatie = De looptrainer houdt uw hartslag ook constant door de hellinghoek en de snelheid evenredig aan te passen.

4. Druk ENTER voor bevestiging van uw keuze.

5. Kies de gewenste hartslagniveau (80-180) met de pijltoetsen.

6. Druk op de START-toets om training met een constant hartslagniveau te beginnen. Tijdens de training kunt u het hartslagniveau met de pijltoetsen veranderen.

7. Om de minuut verschijnen op het profiel display de snelheidsgegevens van de training. Na verloop van 20 minuten verdwijnt het displaybeeld van de monitor naar links en kunt u de snelheidsgegevens van de afgelopen 20 minuten aflezen. Als u tijdens de training op SELECT drukt, komen op het monitor de cumulatieve snelheids-, helling- en hartslagprofiel te staan.

8. Door tijdens de training de STOP-toets 1 x in te drukken, staat de mat stil en gaat in een vijf minuten durende pauzetijd over. Gedurende deze tijd kunt u de onderbroken training voortzetten door de START-toets te drukken. In de wachtmodus kunt u ook de training in het geheugen opslaan (zie bij Geheugenfunctie). Door twee keer op de STOP-knop te drukken, beëindigt u het trainingsprogramma; het display toont de gegevens over de geleverde prestatie en gaat terug in de startmodus.

CONDITIETEST

Met de loopmat zijn twee verschillende conditietests mogelijk. De lichte conditietest is een wandeltest van 2 km, die u snel wandelend moet afleggen. Voor personen met een goede conditie is de Cooper-hardlooptest geschikter, deze duurt 12 minuten.

1. Druk de SELECT-toets in, totdat het signaallampje naast de TEST-tekst brandt. Met de ENTER-toets

bevestigt u de instelling.

2. Druk op de SELECT-knop, hiermee kunt u kiezen voor de wandeltest van 2 km of de Coopertest. Met de ENTER-toets bevestigt u de instelling.

2 KM LOOPTEST

Bij de wandeltest moet de hartslagmeter worden gebruikt: de conditie wordt beoordeeld aan de hand van de hartslag tijdens het lopen en de tijd die u voor het wandelen van 2 km nodig had. Aan de test gaat een opwarmfase van 3 min vooraf. Wij adviseren dan ook aan, om na de test rustig te blijven door lopen totdat uw hartslagniveau weer de normale waarde bereikt heeft. Op basis van de resultaten geeft de meter een schatting van uw maximale zuurstofopnamecapaciteit.

BEGIN VAN DE WANDELTEST:

1. In het tekstveld van de meter wordt de lengte van de deelnemer aan de test gevraagd (HEIGHT): stel deze in met de pijltoetsen. Bevestig met ENTER.

2. In het tekstveld van de meter wordt het geslacht van de deelnemer gevraagd (SEX): stel dit in met de pijltoetsen. Bevestig met ENTER.

3. In het tekstveld van de meter wordt het gewicht van de deelnemer gevraagd (WEIGHT): stel uw gewicht in met de pijltoetsen. Bevestig met ENTER.

4. In het tekstveld van de meter wordt de leeftijd van de deelnemer gevraagd (AGE): stel deze in met de pijltoetsen. Bevestig met ENTER.

5. In het tekstveld van de meter wordt gemeld, dat de opwarmfase van 3 min (WARM UP) kan beginnen. Druk op START om te beginnen.

6. De helling van de mat wordt automatisch op 1 % gezet; dit simuleert de luchtweerstand. U kunt de snelheid regelen met de snelheidsknoppen.

Wij adviseren voor de opwarmfase een iets hoger wandeltempo dan gemiddeld.

7. Tijdens het opwarmen telt de klok drie minuten terug. Wanneer de klok op 0:00 komt, klinkt een geluidssignaal en begint de eigenlijke test (TEST STARTED!).

UITVOERING VAN DE WANDELTEST:

1. Het is de bedoeling de afstand van 2 km zo snel mogelijk wandelend af te leggen. U kunt uw loopsnelheid zelf regelen met de snelheidsknoppen. Let op: u mag niet hardlopen!

2. Als de hartslagmeting niet werkt, wordt dat in het tekstveld van de meter aangegeven met de mededeling CHECK TRANSMITTER. Controleert u in dat geval of u de gegeven aanwijzingen over het gebruik van de hartslag gordel op de juiste manier hebt opgevolgd.

3. Na 2 km geeft de meter een geluidssignaal. Dan begint de automatische afkoelfase van 5 minuten, waarna de loopmat stopt. In het tekstveld van de meter wordt het testresultaat gegeven in de vorm van uw maximale zuurstofopnamecapaciteit en een schatting van de conditie. U kunt dat vergelijken met de bijgaande tabel met conditieniveaus van diverse leeftijdsgroepen.

COOPERTEST

Bij de Coopertest wordt uw conditie berekend op basis van de afstand die u in 12 minuten heeft gerend. Hoe verder u bent gekomen, hoe beter uw conditie is. Aan de test gaat een opwarmfase van 3 min vooraf. Wij adviseren dan ook aan, om na de test rustig te blijven door lopen totdat uw hartslagniveau weer de normale waarde bereikt heeft. Op basis van de resultaten geeft de meter een schatting van uw maximale zuurstofopnamecapaciteit.

BEGIN VAN DE COOPERTEST:

1. In het tekstveld van de meter wordt gemeld COOPER SELECTED. Met de START-toets bevestigt u de instelling.
2. In het tekstveld van de meter wordt het geslacht van de deelnemer gevraagd (SEX): stel dit in met de pijltoetsen. Bevestig met ENTER.
3. In het tekstveld van de meter wordt de leeftijd van de deelnemer gevraagd (AGE): stel deze in met de pijltoetsen. Bevestig met ENTER.
4. In het tekstveld van de meter wordt gemeld, dat de opwarmfase van 3 min (WARM UP) kan beginnen. Druk op START om te beginnen.
5. De helling van de mat wordt automatisch op 1 % gezet; dit simuleert de luchtweerstand. U kunt de snelheid regelen met de snelheidsknoppen. Wij adviseren voor de opwarmfase een iets hoger

wandeltempo dan gemiddeld.

6. Tijdens het opwarmen telt de klok drie minuten terug. Wanneer de klok op 0:00 komt, klinkt een geluidssignaal en begint de eigenlijke test (TEST STARTED!).

UITVOERING VAN DE COOPERTEST:

1. Het is de bedoeling dat u in 12 minuten een zo groot mogelijke afstand rennend aflegt. U kunt de snelheid regelen met de snelheidstoetsen of de SPEED-toets.
2. In het tekstveld van het display staat een schatting van het testresultaat bij de gebruikte snelheid.
3. Na 12 minuten geeft de meter een geluidssignaal. Dan begint de automatische afkoelfase van 5 minuten, waarna de loopmat stopt. In het tekstveld van de meter wordt het testresultaat gegeven in de vorm van uw maximale zuurstofopnamecapaciteit en een schatting van de conditie. U kunt dat vergelijken met de bijgaande tabel met conditieniveaus van diverse leeftijdsgroepen.

TRAININGSPROFIELEN

Om u van een veelzijdige, aangename en doelbewuste training te verzekeren, heeft Tunturi een paar klare, op verschillende manier functionerende trainingsprofielen ontwikkeld. Tijdens de training biedt de monitor u bovendien belangrijke informatie aan over

het door u gekozen profiel. De monitor geeft op tijd door een klankteken aan, als er veranderingen in het profiel optreden. Het profieldisplay geeft zowel het soort profiel als de gegevens van de volgende profielbalk aan. Als u uw gebruikersgegevens wilt benutten of uw training wilt opslaan, geef dan uw gebruikersgegevens op of kies uw gebruikerscode (1-4).

A. De combinatieprofielen 1-3 hebben een verschillende moeilijkheidsgraad. De snelheid en de helling zijn voorgeprogrammeerd. U kunt de snelheid naar believen instellen. Voor de trainingslengte kunt u kiezen uit trainingstijd of trainingsafstand. Deze profielen vereisen het gebruik van de hartslagbordel wel niet, maar de gordel biedt toch wel interessante extra gegevens over uw prestaties.

1. Druk de SELECT-toets in, totdat het signaallampje bij het door u gewenste profiel (1-3) brandt. Met de START-toets bevestigt u de instelling.

3. Stel de afstand / tijd van het profiel in. De laatst ingestelde duur ziet u op het cijferdisplay op de monitor. Met de SELECT-knop kunt u naar de volgende instelwaarde. U kunt de duur met de pijltoetsen veranderen (grenswaarden tussen 10 minuten - 0:00 - en 3 uur - h3:00 -, de schaal eenheid bedraagt 5 minuten / 3 km - 42 km, de schaal eenheid bedraagt 1 km). Deze blijft in het geheugen van de meter tot ze door een

MANNEN / MAXIMALE ZUURSTOFOPNAMEVERMOGEN (VO2MAX) 1 = ZEER SLECHT - 7 = UITSTEKEND							
LEEFT.	1	2	3	4	5	6	7
18-19	<33	33-38	39-44	45-51	52-57	58-63	>63
20-24	<32	32-37	38-43	44-50	51-56	57-62	>62
25-29	<31	31-35	36-42	43-48	49-53	54-59	>59
30-34	<29	29-34	35-40	41-45	46-51	52-56	>56
35-39	<28	28-32	33-38	39-43	44-48	49-54	>54
40-44	<26	26-31	32-35	36-41	42-46	47-51	>51
45-49	<25	25-29	30-34	35-39	40-43	44-48	>48
50-54	<24	24-27	28-32	33-36	37-41	42-46	>46
55-59	<22	22-26	27-30	31-34	35-39	40-43	>43
60-65	<21	21-24	25-28	29-32	33-36	37-40	>40

VROUWEN / MAXIMALE ZUURSTOFOPNAMEVERMOGEN (VO2MAX) 1 = ZEER SLECHT - 7 = UITSTEKEND							
LEEFT.	1	2	3	4	5	6	7
18-19	<28	28-32	33-37	38-42	43-47	48-52	>52
20-24	<27	27-31	32-36	37-41	42-46	47-51	>51
25-29	<26	26-30	31-35	36-40	41-44	45-49	>49
30-34	<25	25-29	30-33	34-37	38-42	43-46	>46
35-39	<24	24-27	28-31	32-35	36-40	41-44	>44
40-44	<22	22-25	26-29	30-33	34-37	38-41	>41
45-49	<21	21-23	24-27	28-31	32-35	36-38	>38
50-54	<19	19-22	23-25	26-29	30-32	33-36	>36
55-59	<18	18-20	21-23	24-27	28-30	31-33	>33
60-65	<16	16-18	19-21	22-24	25-27	28-30	>30

andere waarde wordt vervangen.

4. Druk de START-toets in: de training begint en de loopmat zet zich in beweging.

5. U kunt het snelheidsniveau van het profiel telkens met 1 % naar boven of naar beneden op schaal aanpassen. Als u tijdens de training op SELECT drukt, komen op het monitor de cumulatieve snelheids-, hellings- en hartslagprofielen te staan.

6. Door tijdens de training de STOP-toets 1 x in te drukken, staat de mat stil en gaat in een vijf minuten durende pauzetijd over. Gedurende deze tijd kunt u de onderbroken training voortzetten door de START-toets te drukken. U kunt de training in het geheugen opslaan (zie bij Geheugenfunctie). Door twee keer op de STOP-knop te drukken, beëindigt u het trainingsprogramma; het display toont de gegevens over de geleverde prestatie en gaat terug in de startmodus.

7. Aan het eind van het programma begint de automatische afkoelfase, waarna de loopmat stopt. U kunt de training in het geheugen opslaan (zie bij Geheugenfunctie).

B. Rolling Hills is een soort intervaltraining, waarbij u tijdens de training de afstand en de duur van de training kunt instellen en de snelheid van de loopmat zelf kunt regelen. Bij de Rolling Hills training kunt uw snelheid regelen met de PSC-functie. Als u de PSC-functie niet gebruikt, hoeft u voor dit profiel de riem voor hartslagmeting niet te gebruiken. Hartslagmeting geeft echter interessante informatie over uw trainingsprestatie.

1. Druk de SELECT-toets in, totdat het signaallampje bij het profiel 4 brandt. Met de START-toets bevestigt u de instelling.

2. Stel de afstand / tijd van het profiel in. De laatst ingestelde duur ziet u op het cijferdisplay op de monitor. Met de SELECT-knop kunt u naar de volgende instelwaarde. U kunt de duur met de pijltoetsen veranderen (grenswaarden tussen 10 minuten - 0:00 - en 3 uur - h3:00 -, de schaaleenheid bedraagt 5 minuten / 3 km - 42 km, de schaaleenheid bedraagt 1 km). Deze blijft in het geheugen van de meter tot ze door een andere waarde wordt vervangen.

3. U kunt uw snelheid regelen met behulp van de snelheidsregeltoets of PSC. Als u tijdens de training op SELECT drukt, komen op het monitor de cumulatieve hellings- en hartslagprofielen te staan.

4. U kunt een hellingsprofiel kiezen met de pijltoetsen.

5. Door tijdens de training de STOP-toets 1 x in te drukken, staat de mat stil en gaat in een vijf minuten durende pauzetijd over. Gedurende deze tijd kunt u de onderbroken training voortzetten door de START-toets te drukken. U kunt de training in het geheugen opslaan (zie bij Geheugenfunctie). Door twee keer op de STOP-knop te drukken, beëindigt u het trainingsprogramma; het display toont de gegevens over de geleverde prestatie en gaat terug in de startmodus.

6. Aan het eind van het programma begint de automatische afkoelfase, waarna de loopmat stopt. U kunt de training in het geheugen opslaan (zie bij Geheugenfunctie).

C. De HRC-profielen zijn wat het eiseniveau betreft getrapte hartslagaangepaste trainingsprofielen, waarbij u de duur van de training zelf kunt instellen. De

hartslagaangepaste profielen veronderstellen altijd het gebruik van de hartslaggordel. Als de hartslagmeter niet functioneert, verschijnt er in het tekstveld van de display het foutteken CHECK TRANSMITTER. Controleert u in dat geval of u de gegevens aanwijzingen over het gebruik van de hartslaggordel op de juiste manier hebt opgevolgd.

1. Druk de SELECT-toets in, totdat het signaallampje naast het door u gewenste profiel (5-8) brandt. Met de ENTER-toets bevestigt u de instelling.

2. Selecteer met de pijltoetsen een van de hartslagmodellen. Druk de ENTER-toets weer in om de instelling te bevestigen.

3. Stel de afstand / tijd van het profiel in. De laatst ingestelde duur ziet u op het cijferdisplay op de monitor. U kunt de duur met de pijltoetsen veranderen (grenswaarden tussen 10 minuten - 00:10 - en 3 uur - h3:00 -, de schaaleenheid bedraagt 5 minuten / 3 km - 42 km, de schaaleenheid bedraagt 1 km). Met de SELECT-knop kunt u naar de volgende instelwaarde.

4. Druk de START-toets in: de training begint en de loopmat zet zich in beweging. U kunt het snelheidsniveau van het profiel telkens met 1 % naar boven of naar beneden op schaal aanpassen.

5. Door tijdens de training de STOP-toets 1 x in te drukken, staat de mat stil en gaat in een vijf minuten durende pauzetijd over. Gedurende deze tijd kunt u de onderbroken training voortzetten door de START-toets te drukken. U kunt de training in het geheugen opslaan (zie bij Geheugenfunctie). Door twee keer op de STOP-knop te drukken, beëindigt u het trainingsprogramma; het display toont de gegevens over de geleverde prestatie en gaat terug in de startmodus.

6. Aan het eind van het programma begint de automatische afkoelfase, waarna de loopmat stopt. U kunt de training in het geheugen opslaan (zie bij Geheugenfunctie).

PROFIELEN

(aan het eind van de gebruiksaanwijzing vindt u gedetailleerde uitleg over de programma's)

PROFIEL 1 (Hill Walk). Profiel met regelmatige wijzigingen van de helling en een gelijkmatig, flink wandeltempo. Het profiel is geschikt voor beginners en actieve wandelaars. Met standaardinstellingen is de gemiddelde snelheid 5,2 km/h en de topsnelheid 5,8 km/h, de gemiddelde helling is 2,7 %.

PROFIEL 2 (Hill Jog). Profiel met afwisselende helling en tamelijk gelijkmatig, licht jogtempo. Het profiel is geschikt voor beginners en om de conditie op peil te houden. Met standaardinstellingen is de gemiddelde snelheid 6,9 km/h en de topsnelheid 7,2 km/h, de gemiddelde helling is 1,9 %.

PROFIEL 3 (Hill Run). Profiel met gelijkmatige en lichte helling en een gelijkmatig afwisselend flink hardlooptempo. Het profiel is geschikt voor hardlopers. Met standaardinstellingen is de gemiddelde snelheid 11,6 km/h en de topsnelheid 12,5 km/h, de gemiddelde helling is 1,8 %.

PROFIEL 4 (Rolling Hills). Afstandsprofiel: u kunt

de lengte van het profiel in kilometers instellen. Het profiel is vooral bedoeld voor training in deze tak van sport, maar zorgt ook voor afwisseling bij de conditietraining. De maximale afstand is 42 km. Met standaardinstellingen is de afstand 3 km, instelbaar in stappen van 1 km. De hellingsinstellingen zijn van het intervaltype, de gemiddelde helling is 2,4 %.

PROFIEL 5 (Fatburner 1). Hartslagprofiel met lage intensiteit, gebaseerd op gelijkmatig toe- en afnemen van de hartslag. Het profiel is geschikt voor gewichtsbeheersing. Met standaardinstellingen is de gemiddelde hartslag 114, maximaal 125.

PROFIEL 6 (Fatburner 2). Hartslagprofiel met middelzware intensiteit, gebaseerd op toe- en afnemen van de hartslag in intervallen. Het profiel is geschikt voor conditietraining en gewichtsbeheersing. Met standaardinstellingen is de gemiddelde hartslag 122, maximaal 136.

PROFIEL 7 (Cardio). Hartslagprofiel met middelzware intensiteit, gebaseerd op gelijkmatig toe- en afnemen van de hartslag, de hartslag blijft bijna de hele tijd rond de 130-140. Het profiel is uitstekend voor conditietraining. Met standaardinstellingen is de gemiddelde hartslag 129, maximaal 145.

PROFIEL 8 (Fit). Hartslagprofiel met zware intensiteit, gebaseerd op gelijkmatig toe- en afnemen van de hartslag. De hartslag blijft bijna de hele tijd rond de 135-145. Het profiel is geschikt voor conditietraining en -verbetering, voor mensen met een goede conditie. Met standaardinstellingen is de gemiddelde hartslag 133, maximaal 150.

GEHEUGENFUNCTIE

Voor de geheugenfunctie is de gebruikerscode vereist: de training wordt opgeslagen onder de gekozen gebruikerscode. U kunt in de meter 5 trainingen per gebruikerscode opslaan.

UW EIGEN PROFIEL OPSLAAN:

1. Geprogrammeerde profielen kunnen direct na afloop van het profiel worden opgeslagen. U kunt de profielen, manuele en HRC-trainingen beëindigen door een keer op STOP te drukken; daarna kunt u de training opslaan. Als u op de knop MEM drukt, komt u in het geheugenmenu.
2. In het tekstveld van de meter wordt gevraagd op welke geheugenlocatie u de training wilt opslaan (SAVE AS OWN 1-5). Selecteer de gewenste geheugenlocatie met de pijltoetsen en bevestig uw keuze met ENTER: de training wordt nu op die geheugenlocatie opgeslagen.
3. Als alle geheugenlocaties al vol zijn, kunt u een eerder gemaakt profiel vervangen door het nieuwe. In het tekstveld van de meter wordt dan om bevestiging gevraagd (REPLACE OWN 1-5). Bevestig met ENTER. De training wordt nu op die geheugenlocatie opgeslagen.
4. In het tekstveld van de meter wordt dit bevestigd (SAVED AS OWN 1-5). De meter gaat automatisch in de startmodus.

LET OP! In een profiel worden hoogstens 30 wijzigingen van snelheid of hellingen opgeslagen! Het te bewaren profiel moet minstens 10 minuten duren.

Uw eigen profiel gebruiken:

1. Kies uw gebruikerscode.
2. Druk op de MEM-knop.
3. Druk op de SELECT-knop tot het lampje van het door u gewenste eigen profiel (O1-5 MEMORY) aan gaat. Druk op ENTER om uw selectie te bevestigen. Kies nu ofwel RERUN (profiel gebruiken zonder wijzigingen) of RACE (profiel gebruiken als basis voor wedstrijdfunctie) met de SELECT-knop.
4. Met de ENTER-toets bevestigt u de instelling.
5. Start het profiel met de START-knop.
6. In de functie RERUN kunt u uw eigen profiel verhogen of verlagen en de wijzigingen opslaan.

WEDSTRIJDFUNCTIE

Door in het menu van de eigen snelheids/hoekprofielen te kiezen voor RACE, kunt u een wedstrijd houden met het profiel dat u eerder heeft opgeslagen. Het doel is, het profiel zo snel mogelijk te lopen.

1. Druk de START-toets in: de training begint en de loopmat zet zich in beweging.
2. U kunt desgewenst uw snelheid handmatig of met de PSC-functie wijzigen.
3. Het display van de meter toont tijdens de training het verloop van het profiel en de op komst zijnde wijzigingen, en de stand ten opzichte van de opgeslagen trainingsprestatie: de tekst "YOU ARE x.xx BEHIND" wil zeggen dat u x seconden achterloopt en de tekst "YOU ARE x.xx AHEAD" dat u x seconden voorloopt op de eerder opgeslagen trainingsprestatie.
4. Na afloop van het profiel stopt de loopmat automatisch. U kunt de training in het geheugen opslaan (zie bij Geheugenfunctie).

ONDERHOUD

Voor een veilig gebruik van het toestel is het nodig dit regelmatig te onderhouden en te letten op bepaalde zaken die kunnen leiden tot storingen (slijtage van onderdelen enz.). Controleer een keer per jaar of alle bouten en moeren nog goed vast zitten. Draai ze echter niet te strak aan. Het toestel mag alleen worden gebruikt als het geheel in orde is.

REINIGING EN SMERING VAN DE LOOPTRAINER

Verwijder stof en vuil van het bedieningspaneel en reinig de handgrepen met een licht vochtige doek. Gebruik geen oplosmiddelen. Reinig de zichtbare delen van het frame (o.a. onderstel en zijpanelen) en de band regelmatig met een stofzuiger. Klapt u de looptrainer op om de onderkant schoon te maken.

BELANGRIJK! Houdt u ook de omgeving van de loopmat schoon. Bij gebruik vergaart de loopmat bijvoorbeeld stof, wat problemen kan veroorzaken bij het functioneren van de apparatuur.

De onderhoudssmering is een belangrijke onderhoudsmaatregel voor de loopmat. Bij normaal gebruik in huis (maximaal 1 uur training per dag) moet men om de 300 gebruiksuren controleren of de mat gesmeerd moet worden. Met de totaalmeter van de meter kunt u gemakkelijk bijhouden hoeveel het apparaat gebruikt is. Controleer de smering altijd wanneer de mat schokkend loopt. Schakel de loopmat dan uit en voel met de hand aan de onderplaat onder de mat; als uw vingers niet vet worden en de onderplaat niet glad aanvoelt, moet u de loopmat smeren. Dat doet u als volgt.

1. Schuif het rietje op de T-Lube spuitbus.
2. Schakel de mat uit en til de rand omhoog. Til de loopmat op.
3. Plaats de straalpijp tussen de mat en de plaat op ongeveer 20 cm van de oorkant van de looptrainer.
4. Spuit smeermiddel over de hele lengte van de onderplaat, zoveel mogelijk in het midden van het looponderstel. Een fles T-Lube is genoeg voor twee smeerbeurten.
5. De looptrainer is nu weer klaar voor gebruik.

BELANGRIJK! De looptrainer dient uitsluitend te worden gesmeerd met de door Tunturi aanbevolen smeermiddel. De looptrainer mag nooit met andere smeermiddel worden gesmeerd, dan T-Lube S. Raadpleeg uw plaatselijke Tunturi dealer voor het verkrijgen van het juiste smeermiddel T-Lube S.

BELANGRIJK! U moet de loopmat na het smeren minstens 5 minuten laten lopen voordat u hem rechtop in de bewaarstand zet. Zo wordt voorkomen dat het smeermiddel van het looponderstel afloopt.

HET CENTREREN VAN DE LOOPMAT

Controleer tijdens het gebruik of de loopmat goed blijft lopen. Indien de band afstelling behoeft, wacht hier dan niet mee tot na de training maar voer dit onmiddellijk uit. De band dient altijd over het midden van de trainer te lopen. Centreren zal over het algemeen niet nodig zijn wanneer:

- de looptrainer op een vlakke ondergrond staat en de loopmat goed gespannen is;
- de loopmat correct is gecentreerd.

Het kan echter zijn dat als gevolg van een bijzondere loopstijl de loopmat enigszins uit het midden raakt. Het centreren van de loopmat:

1. Controleer eerst of de looptrainer horizontaal / waterpas staat. Laat de loopmat vrij draaien met een snelheid van 5 km/u.
2. Indien de band naar links trekt, draai dan de linker inbusbout achter op de trainer ¼ slag in de richting van de klok mee en de rechter inbusbout ¼ slag tegen de klok in. Het afstellen dient met de nodige voorzichtigheid te gebeuren daar een achtste slag al aanzienlijke gevolgen heeft voor de loop van de loopmat. Draai de inbusbouten dus met maximaal ¼ slag in de richting van de klok of tegen de klok in. Controleer elke keer het gevolg hiervan. Laat de mat enkele minuten draaien, voor weer verder te gaan met

afstellen. Indien de mat naar rechts trekt, draai dan de rechter inbusbout achter op de trainer ¼ slag in de richting van de klok en de linker inbusbout ¼ slag tegen de klok in.

3. De loopmat is correct afgesteld wanneer deze in het midden blijft lopen. Wanneer de mat nog steeds naar links of naar rechts trekt dient u het afstellen te herhalen, stapje voor stapje, totdat de loopmat recht loopt. Indien de mat gedurende langere tijd aanloopt kan deze ernstig beschadigen. De garantie op de trainer dekt geen storingen of beschadigingen die ontstaan zijn door het niet centreren van de mat.

HET SPANNEN VAN DE LOOPMAT

Indien de mat gaat slippen dient u deze wat strakker te stellen. Het is niet goed om de loopmat te strak te zetten; houd de spanning zo laag mogelijk. Het bijstellen van de spanning doet u met dezelfde inbusbouten die ook voor het centreren worden gebruikt.

1. Laat de band vrij lopen met een snelheid van ongeveer 5 km/h.
2. Draai de beide inbusbouten achter op de trainer ¼ slag in de richting van de klok.
3. Controleer of de spanning correct is door op de looptrainer te gaan lopen en deze af te remmen (alsof u bergaf loopt).

Indien de band bij licht afremmen nog steeds slipt, draai dan de inbusbouten nogmaals ¼ slag aan en herhaal de controle. Bij krachtig afremmen mag de loopmat slippen. Als de mat, ondanks het afstellen, blijft doorslippen, neem dan contact op met uw Tunturi dealer.

GEBRUIKSTORINGEN

BELANGRIJK! Ondanks voortdurende kwaliteitscontroles, kunnen er defecten of storingen optreden die het gevolg zijn van het niet goed functioneren van onderdelen die in de looptrainer zijn gebruikt. In de meeste gevallen is het onnodig om het gehele apparaat ter reparatie aan te bieden, aangezien de storing meestal kan worden opgelost door het vervangen van het defecte onderdeel. Mochten er storingen optreden bij het gebruik van de trainer, neem dan onmiddellijk contact op met uw Tunturi dealer. Vermeldt daarbij altijd het model en het serienummer van uw Tunturi trainer, de eventuele storingscode en door wie de trainer is geïnstalleerd.

Indien u merkt dat er iets niet in orde is met de looptrainer, schakelt u direct de looptrainer uit door de aan- en uitknop in te drukken. Wacht vervolgens één minuut en schakel de looptrainer weer aan. Op deze manier moeten incidentele fouten hersteld zijn en kan de looptrainer opnieuw worden gebruikt. Indien de looptrainer na het aan- en uitschakelen door de aan- en uitknop nog steeds niet goed functioneert, neem dan contact op met uw Tunturi dealer voor onderhoud.

Vermeldt bij het bestellen van onderdelen het model, het serienummer van het apparaat en het nummer van het onderdeel. Op de laatste pagina's van deze gids vindt

u de onderdelenlijst.

STORINGEN

De monitor meldt de storingen op het screen aan.

SYSTEM CHECK FAILED - Eventuele storing van de motorbesturing. Schakel de stroom van de loopmat uit met de hoofdschakelaar, wacht een minuut en zet hem dan opnieuw aan. Als de foutmelding niet terugkomt, kunt u het toestel verder normaal gebruiken. Als de foutmelding niet verdwijnt, neem dan contact op met de verkoper van het toestel.

SPEED SENSOR ERROR - Storing van de snelheidssensor. Neem contact op met de verkoper van het toestel.

MOTOR SPEED ERROR - Storing van de snelheidsregeling van de mat. Controleer of u de mat correct gebruikt: duw de mat niet met uw voeten voort. Schakel de stroom van de loopmat uit met de hoofdschakelaar, wacht een minuut en zet hem dan opnieuw aan. Als de foutmelding niet terugkomt, kunt u het toestel verder normaal gebruiken. Als de foutmelding niet verdwijnt, neem dan contact op met de verkoper van het toestel.

MOTOR OVERLOAD - Overbelasting van de motor. Controleer of u het toestel correct gebruikt: de mat niet afremmen. Controleer of de mat voldoende gesmeerd is; smeer de mat eventueel (onderhoudsbeurt). Schakel de stroom van de loopmat uit met de hoofdschakelaar, wacht een minuut en zet hem dan opnieuw aan. Als de foutmelding niet terugkomt, kunt u het toestel verder normaal gebruiken. Als de foutmelding niet verdwijnt, neem dan contact op met de verkoper van het toestel.

LIFT MOTOR ERROR - Storing van de hefmotor. Neem contact op met de verkoper van het toestel.

LIFT MOTOR OVERLOAD - Overbelasting van de hefmotor. Controleer of u het toestel correct gebruikt: overbelast de hefmotor niet door steeds de hellingshoek te wijzigen. Schakel de stroom van de loopmat uit met de hoofdschakelaar, wacht een minuut en zet hem dan opnieuw aan. Bij het starten voert de mat automatisch het ijken van de hefmotor uit. Als de foutmelding niet terugkomt, kunt u het toestel verder normaal gebruiken. Als de foutmelding niet verdwijnt, neem dan contact op met de verkoper van het toestel.

ONDERHOUD MELDING

CHECK LUBRICATION. Controleer of de mat voldoende gesmeerd is; smeer de mat eventueel. Druk op de ENTER twee keer om de melding te verwijderen.

TRANSPORT EN OPSLAG

De T60F kunt u opklappen. De loopmat moet absoluut worden gestopt voordat u deze in de bewaarstand zet. Schakel de stroom uit met de schakelaar en trek de stekker uit het stopcontact en uit de loopmat. Pak het

looponderstel achter vast en til het op tot de gasveer vergrendeld wordt. **BELANGRIJK!** Laat het looponderstel nooit in de bewaarstand terwijl het alleen op de gasveren rust! Het toestel komt in de bewaarstand automatisch op de transportwielen te staan. U kunt het apparaat nu verplaatsen door het te duwen en verrijden op de wielen. Open de vergrendeling van de gasveren door het grendelpunt (op linker gasveer aangegeven met sticker) licht met de voet in te drukken en trek het looponderstel naar beneden. Laat het looponderstel voorzichtig op de grond zakken.

BELANGRIJK! Extra voorzichtigheid is geboden bij het verplaatsen van de looptrainer over een oneffen vloer of over een drempel. Ook mag de looptrainer beslist nooit op de wielen over een trap gereden worden, in dit geval moet de looptrainer worden opgetild. Pas op dat de vloer niet beschadigt wanneer u het toestel verplaatst. Bescherm tere vloermaterialen zoals parketvloeren enz. Het kan zijn dat de loopmat opnieuw gecentreerd moet worden nadat deze verplaatst is.

Berg de trainer op in een droge ruimte met een redelijk constante temperatuur en dek de trainer af tegen stof. Haal na gebruik altijd de stekker uit het stopcontact.

TECHNISCHE GEGEVENS

Lengte	202 cm
(Opgeklapte stand	115 cm)
Hoogte	138 cm
(Opgeklapte stand	175 cm)
Breedte	94 cm
Gewicht	105 kg
Lengte loopvlak	138 cm
Breedte loopvlak	51 cm
Snelheid	0,5-16,0 km/u
Hellinghoek	0-10 %
Motor.....	2,0 pk (1,49 kW)

Alle Tunturi modellen voldoen aan de eisen van EUs EMC. Directiven betreffende elektromagnetische compatibiliteit (EN 61000-6-1, EN 61000-6-3, 61000-3-3) en elektrische apparatuur ontworpen voor gebruik binnen bepaalde spanningslimieten (EN 60335-1). Daarom is dit product met de CE label voorzien. De Tunturi T60F looptrainer voldoen aan EN precisie- en veiligheidsnormen (Norm HA, EN-957, deel 1 en 6).

In verband met ons beleid van voortdurende productinnovatie, is Tunturi gerechtigd om specificaties te veranderen zonder daarover nader te berichten.

BELANGRIJK! De garantie vervalt bij schade als gevolg van het niet volgen van de instructies in deze gids betreffende het monteren, het instellen en het onderhouden van de apparatuur. Veranderingen of modificaties, welke niet door Tunturi Oy Ltd zijn goedgekeurd, laten de Tunturi Oy Ltd product aansprakelijkheid geheel vervallen.

Wij wensen u veel plezierige trainingen met uw nieuwe Tunturi trainingspartner!

INDICE

AVVERTENZE	52
ASSEMBLAGGIO.....	52
ALLENAMENTO.....	53
BATTITO CARDIACO.....	54
PANNELLO.....	55
DISPLAY	55
INSERIMENTO DATI UTENTE	56
CONTROLLO VELOCITÀ DA POSIZIONE (PSC) ...	56
ESERCIZIO IN MANUAL.....	57
ESERCIZIO A CONTROLLO PULSAZIONI	
CARDIACHE	57
TEST DI CONDIZIONE FISICA.....	58
PROFILI DI ESERCIZIO.....	59
FUNZIONE MEMORIA.....	61
MANUTENZIONE.....	61
CODICI DISFUNZIONI.....	62
SPOSTAMENTO ED IMMAGAZZINAGGIO.....	63
DATI TECNICI	63

AVVERTENZE

Questo libretto di istruzioni è una parte essenziale della tua attrezzatura da ginnastica. Leggi con attenzione quanto scritto in questa guida, prima del montaggio dei pezzi e prima di fare uso dell'attrezzo o di effettuarne qualunque manutenzione. Ti raccomandiamo pure di conservare la presente guida in un; essa ti fornirà, adesso e nel futuro, le istruzioni necessarie all'uso e alla manutenzione della tua attrezzatura da ginnastica. Tali istruzioni devi seguirle sempre con molta attenzione!

- Assicuratevi che l'impianto sia collegato a terra. Evitare di usare prolunghe. Il consumo massimo è 10 A. Prolunghe che servono più apparecchi, o che hanno fl uttuazioni di voltaggio + 10 % possono risultare dannose all'elettronica del treadmill.
- Non effettuare alcuna manutenzione o riparazione, al di fuori di quelle descritte nella presente guida. Qualunque riparazione più impegnativa, deve essere effettuata da un esperto nella manutenzione di congegni elettromeccanici, autorizzato, in conformità alle leggi della nazione in questione, o comunque abilitato, ad effettuare i predetti lavori di manutenzione o di riparazione. Le istruzioni per le riparazioni, contenute in questa guida, devono essere seguite con molta attenzione.
- Prima dell'inizio del training, consulta un medico per il controllo del tuo stato di salute.
- Se provi nausea, capogiri o presenti altri sintomi anormali, durante gli allenamenti, smetti immediatamente ogni esecuzione e vai dal medico.
- Non tentate riparazioni e manutenzioni diverse da quelle descritte in questo manuale. Seguite alla lettera. Assicuratevi che la presa di corrente sia staccata, prima di metterti a fare qualunque lavoro di montaggio pezzi o di manutenzione.
- Non usatelo in esterno. Consigliamo di conservare l'attrezzatura a temperatura ambiente da +10 a +35°C. Il tasso d'umidità non deve mai superare il 90 %.
- L'attrezzo non può essere usato da persone, il cui peso superi i 135 kg.
- Questo attrezzo è concepito per uso domestico. La garanzia per il uso domestico é 24 mesi. La garanzia non copre danni derivati da negligenze derivate nelle

regolazioni o nelle manutenzioni descritte i questo manuale.

SEI BENVENUTO NEL MONDO DEGLI ALLENAMENTI TUNTURI!

Hai fatto un'ottima scelta. Si vede che tieni alla tua forma fisica. Indubbiamente sei una persona esigente che richiede il meglio in quanto a qualità e stile. Nella Tunturi troverai il tuo partner ideale. Alta tecnologia, sicurezza e stimolo per sempre migliori prestazioni sono le sue caratteristiche. Qualunque sia il tipo di allenamento che intendi praticare, questo è lo strumento fatto per te. Nel fascicolo unito al tuo attrezzo Tunturi troverai le informazioni necessarie per un allenamento efficace. Puoi anche consultare il sito internet della Tunturi (WWW.TUNTURI.COM).

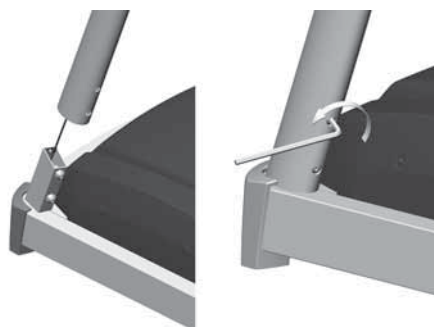
ASSEMBLAGGIO

Incomincia col disimballaggio dell'attrezzatura, e controlla che essa sia comprensiva delle seguenti parti:

1. Telaio
2. Barre d'appoggio anteriori
3. Supporto trasversale
4. Pannello
5. Cavo di alimentazione
6. Kit utensili d'installazione (le parti sono segnate con * nella lista pezzi di ricambio): conserva tali utensili con cura, in quanto ne puoi aver bisogno (per esempio, in fase di regolazione dell'attrezzo).

Le direzioni sinistra, destra, fronte e retro sono definite in rapporto alla posizione in cui si trova la persona durante l'allenamento. In caso di problemi, contattate immediatamente il rivenditore dell'attrezzatura. L'imballaggio è inclusivo di sacchetto riempito con silicati, per l'assorbimento dell'umidità durante l'immagazzinamento e il trasporto. Ricordati di disartene, dopo il disimballaggio dell'attrezzatura. Per installare l'attrezzatura sono necessarie due persone. Per il montaggio, segui le seguenti istruzioni:

BARRE D'APPOGGIO ANTERIORI



NOTA BENE! Le viti di fissaggio sono già in posizione e quindi non devono essere estratte! Ricordate che attraverso la barra d'appoggio anteriore sinistra viene fatto passare il cavetto: fare attenzione che questo non cada all'interno della barra. Posizionare le barre d'appoggio anteriori negli alloggiamento laterali del telaio. Tirare verso l'alto il cavo che fuoriesce dalla barra

anteriore sinistra, in modo che non rimanga schiacciato tra questa ed il telaio. Serra la viti solo dopo aver montato il corrimano e il pannello.

SUPPORTO TRASVERSALE



Montare il supporto trasversale tra le barre d'appoggio anteriori, in modo che la superficie convessa sia rivolta verso la parte posteriore dell'attrezzo. Fissare il supporto trasversale alla barre d'appoggio anteriori, utilizzando delle viti esagonali. Per facilitare la connessione, inserire la chiave nella testa della vite di fissaggio prima che questa venga messa nel foro della barra anteriore.

PANNELLO



Collegare alla presa del pannello il cavo che fuoriesce dalla barra d'appoggio anteriore sinistra. Inserire poi il cavo all'interno della barra d'appoggio. Pressare adesso il blocco del pannello in corrispondenza dell'estremità delle barre anteriori. Serrare tutte le quattro viti esagonali dal retro del pannello. Se necessario, per facilitare quest'operazione è possibile allentare la vite del supporto trasversale: non allentare comunque il dado di gomma nero che si trova all'estremità del poggiatesta.

Serra poi le viti di fissaggio delle barre anteriori. Serrare le viti di fissaggio, inserendo la chiave esagonale nella testa della vite, attraverso il foro della barra d'appoggio. **NOTA BENE!** Le viti devono essere fissate in senso antiorario! Evitare di spanare le viti. Pressare i tappi di plastica nei fori delle barre d'appoggio anteriore. Rimuovi la pellicola protettiva del display del pannello. Per facilitare il serraggio della vite, pressare in avanti al barra anteriore.

CHIAVE DI SICUREZZA

Se la chiave di sicurezza viene rimossa dal pannello il tappeto si ferma immediatamente. Inserite la chiave entro l'apposito alloggiamento e attaccate la clip all'altro capo alla maglietta o al colletto. Assicurarsi che la clip della chiave di sicurezza sia fissata correttamente ad un capo dell'abbigliamento che indossate; anche se con il cavo sotto tensione, la clip non deve mai staccarsi dal capo di abbigliamento prima che la chiave non sia stata rimossa dal pannello.

CAVO PER LA CORRENTE

Prima di collegare il dispositivo a una presa di corrente, assicurati che il voltaggio in uso sia quello indicato sulla piastrina di specificazione dell'attrezzo in questione.

Attacca la corrente al dispositivo, usando l'interruttore che si trova vicino alla presa per l'elettricità.

ATTENZIONE! T60F deve essere collegato a corrente con presa di terra. Non fare uso di prolunghe, quando colleghi l'attrezzo ad una presa di corrente.

ALLENAMENTO

Prima di iniziare l'allenamento, leggere attentamente le istruzioni di funzionamento ed uso del treadmill motorizzato.

L'allenamento con il treadmill è un eccellente esercizio aerobico molto meglio se di bassa intensità ma di lunga durata per persone di tutte le età. L'allenamento aerobico migliora la capacità polmonare, che migliora la resistenza e la condizione fisica in generale. La capacità del corpo umano di bruciare grasso è direttamente dipendente alla capacità di immissione dell'ossigeno.

L'esercizio aerobico è particolarmente piacevole. Nonostante l'esercizio stimoli la sudorazione, il battito cardiaco deve comunque rimanere entro limiti accettabili. In questo modo l'allenamento può essere prolungato nel tempo. Si consigliano sedute di allenamento di 30-60 minuti, tre volte alla settimana in linea con la propria condizione fisica e con gli obiettivi prefissati.

Se desideri camminare e non correre, potrai variare il carico d'allenamento, modificando l'inclinazione del treadmill. Inoltre, si possono utilizzare dei piccoli manubri per diversificare di più questo tipo di allenamento. Fare comunque attenzione al mantenimento dell'equilibrio e a tutti gli altri fattori di rischio.

CIRCA L'AMBIENTE IN CUI ESERCITARSI

- Colloca l'attrezzatura su di una superficie solida e piana. Lasciate 200x100 cm di spazio dietro e 100 cm ai lati e davanti. Assicurarsi inoltre che durante l'uso dell'attrezzo né i bambini, né gli animali domestici si avvicinino a quest'area.
- È una buona idea, quella di collocare l'attrezzo su di una base protettiva.
- Assicurati che l'ambiente abbia una ventilazione adeguata. Per evitare raffreddori, non far allenamento in un posto esposto a correnti d'aria.

CIRCA L'USO DELL'ATTREZZO

- Stacca sempre la corrente, tramite l'apposito interruttore, dopo ogni sessione di allenamento.
- I genitori, o chi per loro, dovrebbero far attenzione alla tendenza naturale dei bambini, di voler giocare e di essere curiosi. Ciò potrebbe portare a situazioni e a comportamenti, che non rientrano tra i requisiti dell'attrezzatura. Se l'attrezzo viene lasciato all'uso dei bambini, bisogna
- controllarli, ed insegnare loro ad usarlo correttamente, facendo sempre mente locale allo sviluppo fisico e mentale dei bambini, e alla loro personalità.
- Il treadmill può essere usata da una sola persona alla volta.
- Non avvicinare le mani a parti dell'attrezzo che siano in movimento.
- Durante gli allenamenti, usa abiti e scarpe adeguate.
- Prima di incominciare ad usare l'attrezzatura, assicurati che tutti i suoi congegni siano funzionanti a dovere. Non usare attrezzi difettosi.
- Non usare l'attrezzo, qualora l'involucro di protezione non sia fissato al suo posto.
- Non lasciare il treadmill in funzione da solo.

INIZIO DI ESECUZIONE

- Se provi nausea, capogiri o presenti altri sintomi anormali, durante gli allenamenti, smetti immediatamente ogni esecuzione e vai dal medico.
- Mettete i piedi sui binari laterali e non sul nastro.
- Inizia l'allenamento selezionando una velocità moderata. Aumenta poi la velocità o modifica l'inclinazione del treadmill a secondo degli obiettivi dell'allenamento.
- Per evitare dolori e sforzi muscolari, inizia e finisci ogni esecuzione con lo stretching.
- Mantieni la schiena ed il collo dritti in modo da evitare il loro indolenzimento. Ricorda sempre di correre nell'area centrale del tappeto, mantenendo costante la distanza dal contatore. In questo modo sarà sempre a portata di mano.
- Se, durante l'uso dell'attrezzatura, dovessero manifestarsi degli inconvenienti, afferra i corrimano e metti i piedi sui supporti laterali del tappeto. Spegni il treadmill e consulta il manuale di istruzioni al paragrafo Disturbi durante l'uso.
- Impugnate sempre il manubrio quando salite o scendete dal treadmill e quando cambiate velocità. Non saltate giù quando il nastro è in movimento.

ALLA FINE DI ESECUZIONE

- Non interrompere l'allenamento improvvisamente. Consigliamo di ridurre gradatamente sia la velocità che il livello di resistenza. Inoltre, ricordiamo l'importanza dello stretching alla fine dell'allenamento.
- Attaccare la chiave di sicurezza.
- Spegner l'interruttore generale.
- Togliere la spina e levare il cavo dalla portata di bambini.
- Se necessario pulire l'attrezzo con un panno umido. Non usare solventi.

BATTITO CARDIACO

Qualunque sia lo scopo che tu ti sia prefissato, i risultati migliori saranno raggiunti col suddetto training al giusto livello di sforzo, e la misura migliore, per tale sforzo, è il ritmo del tuo stesso cuore. La misurazione telemetrica è la più affidabile, gli elettrodi rilevano e trasmettono le pulsazioni dal cuore al pannello per mezzo di un campo elettromagnetico.

ATTENZIONE! Coloro i quali sono portatori di pacemaker devono consultare il proprio medico, che indicherà o meno la possibilità di utilizzare l'attrezzo con questo tipo di cardiografometro.

Se volete misurare le pulsazioni in questo modo durante l'allenamento, inumidite gli elettrodi in gomma posti sulla cinghia elastica con saliva e acqua. Allacciate la cintura sotto al petto abbastanza stretta in modo che gli elettrodi rimangano a contatto con la pelle, ma non così stretta da rendere difficile la respirazione. Il campo di trasmissione massimo o è circa 1 m. nella portata di trasmissione. Se allacciate le cintura sopra una maglietta, inumiditela leggermente nei punti di contatto degli elettrodi.

Se gli elettrodi non sono umidi, il vostro battito non appare sullo schermo. Se gli elettrodi sono asciutti, inumiditeli nuovamente. Se ci sono parecchi sistemi di rilevazione telemetrica vicini, è bene che la distanza tra loro sia di almeno 1.5 m. Il trasmettitore si accende da solo appena rileva i primi battiti. Sudore o creme possono mantenerlo acceso anche dopo l'uso consumando la batteria. Ecco perché è bene pulire gli elettrodi dopo l'uso.

Prima di scegliere gli abiti da ginnastica, tieni presente che alcune fibre tessili in essi usate (esempio poliesteri e poliamidi) sono produttrici di elettrostaticità, e ciò può inficiare l'affidabilità della misura pulsazioni. Tieni anche presente che telefono cellulare, TV ed altri apparati elettrici formano all'intorno un campo elettromagnetico, con conseguenti problemi nella misura del battito cardiaco.

Per prima cosa, quindi, devi sapere qual'è il livello massimo di battiti cardiaci, ovvero il livello, oltre il quale le pulsazioni non aumentano, pur aggiungendo sforzi. Se tu non conosci il numero massimo delle tue pulsazioni, puoi usare la seguente formula indicativa:

$$208 - 0,7 \times \text{L'ETÀ}$$

Naturalmente, il valore massimo effettivo varia da persona a persona. Il numero massimo di pulsazioni cardiache diminuisce, in media, di un punto ogni anno. Se appartieni ad un gruppo a rischio, chiedi a un medico di misurare il tuo livello massimo di pulsazioni cardiache. Abbiamo definito tre differenti aree di pulsazioni, per aiutarti a stabilire il tuo livello di training.

PRINCIPIANTI: 50-60 % del massimo di pulsazioni

Questo livello è indicato anche per i weight-watchers, per i convalescenti e per coloro che non hanno fatto

allenamento per lungo tempo. Si raccomandano tre periodi di training ininterrotto alla settimana, ognuno della durata di almeno mezz'ora. Un esercizio regolare migliora notevolmente la performance respiratoria e circolatoria del principiante, tanto da farti sentire presto molto più in forma.

TRAINER: 60-70 % del massimo di pulsazioni

Questo livello è perfetto per chi voglia migliorare il proprio fitness e mantenerlo in ottime condizioni. Uno sforzo ragionevole e bilanciato migliora notevolmente le funzioni cardiovascolari e respiratorie; il training deve durare per almeno 30 minuti e deve essere fatto come minimo tre volte alla settimana. Per migliorare ulteriormente la tua condizione fisica, puoi aumentare la frequenza o l'intensità dello sforzo, ma non entrambi allo stesso tempo!

TRAINER ATTIVO: 70-80 % del massimo di pulsazioni

Le esercitazioni a questo livello vanno bene solo per coloro che hanno raggiunto una forma quasi perfetta e devono essere precedute da lunghi periodi di allenamenti "endurance".

PANNELLO

TASTI FUNZIONE

START

Parti con l'esercizio prescelto.

TASTI VELOCITÀ (LEPRE / TARTARUGA)

Premendo la tasto lepre incrementa la velocità del nastro a passi di 0,1 km/h, premendo la tasto tartaruga diminuisce la velocità a passi di 0,1 km/h. Premendo questi tasti più a lungo il cambiamento di velocità si verifica più rapidamente. La scala di velocità della pedana va da 0,5-16 km/h.

TASTI INCLINAZIONE

Ad ogni pressione della tasto "su", l'inclinazione della pedana aumenta dello 0,5 %, mentre ogni volta che si preme la tasto "giù", l'inclinazione diminuisce dello 0,5 %. Per variazioni più veloci, la pressione sulle frecce deve essere continua. L'inclinazione può variare fra 0 e 10 %.

TASTI FRECCIA

Questi tasti ti permettono di graduare il livello di difficoltà negli esercizi programmati ed di graduare il livello di pulsazioni cardiache negli esercizi a controllo pulsazioni cardiache. Ad ogni pressione del tasto "su", il grado di difficoltà aumenta, mentre ogni volta che si preme il tasto "giù", il livello di difficoltà diminuisce.

STOP

Premendo una volta il tasto STOP, il treadmill si ferma e va ad assumere una posizione di attesa per la durata di 5 minuti e nello stesso tempo inizia automaticamente la misurazione delle pulsazioni di risposta cardiaca. Nel periodo dei suddetti 5 minuti, puoi riavviare l'esercizio interrotto, premendo il tasto START. Se poi premi di nuovo il tasto STOP, il tuo esercizio è finito. Una

pressione di 2 secondi sul tasto STOP avrà l'effetto di azzerare il contatore, per cui questo sarà pronto per una nuova partenza. Nello stesso tempo, la pedana tornerà in posizione orizzontale.

SELECT

Prima di premere il tasto START, il tasto SELECT ti permette di scegliere la forma di esercizio. Durata dell'esercizio, il tasto SELECT ti permette di scegliere la forma del profilo sul display grafico.

ENTER

Conferma la tua scelta (forma di esercizio o esercizio predisposto, setup utente).

MEMORY

Il tasto MEM permette di salvare nella memoria del pannello il risultato dell'esercizio svolto. La memorizzazione può essere selezionata solo dopo aver inserito il codice utente. Ogni codice utente comprende 5 posti memoria.

PSC

La funzione PSC permette di regolare la velocità del treadmill, modificando la propria posizione sul nastro durante l'allenamento e senza dover fare nessuna digitazione sul pannello. La funzione PSC può essere utilizzata solo insieme al cardiofrequenzimetro. La funzione PSC può essere attivata solo durante i programmi di allenamento manuale, inclinazione, HRC (controllo frequenza cardiaca), profilo Rolling Hills ed i due test di condizione fisica.

SET

Pressando il tasto SET, si può selezionare il codice utente, impostare i dati utente, selezionare le unità di misura da utilizzare e verificare la distanza complessiva e le ore di esercizio dell'attrezzo.

T-WARE

Questo attrezzo è compatibile con il software di T-Ware. Consulta il sito internet della Tunturi (www.tunturi.com).

DISPLAY

HEART RATE

Medición del ritmo cardíaco, 45-220 bpm. La lucetta pulsazioni lampeggia sempre, quando il contatore riceve segnali da battito cardiaco.

KCAL

Calorie, il presunto consumo energetico (0-9999 kcal), con intervalli di 1 chilocaloria.

ELEVATION

Ángulo de inclinación, 0-10 %, con intervalli di 0,5 %.

TIME

durata dell'esercizio, riportata con la precisione di un secondo nel periodo 00:00 - 99:59. Dopo tale periodo, e cioè h1:40- h9:59, la precisione è al minuto.

DISTANCE

Distanza, il tragitto effettuato in chilometri (0,00-99,99 km), con intervalli di 0,01 km.

SPEED

La velocità del tappeto in chilometri orari (0,5-16,0 km/h), con intervalli di 0,1 km/h. La spia evidenzia l'unità di misura selezionata (km/h, mph, pace = minuti / chilometri).

DISPLAY GRAFICO/TESTO

Il modello T60F è dotato di un display grafico/testo che illustra all'utente in inglese le operazioni da effettuare prima e durante l'allenamento.

INSERIMENTO DATI UTENTE

Raccomandiamo di selezionare il codice utente e di inserire i propri dati personali: questi dati vengono utilizzati dall'attrezzo per calcolare, per esempio, il consumo calorico dettagliato dell'utente. Inoltre, sarà importante selezionare le unità di misura desiderate e verificare tutti i parametri di funzionamento. Selezionando il codice utente, è possibile inoltre salvare i risultati delle varie sessioni di allenamento.

1. Premi il tasto SET. Selezionare il codice utente 1-4 con i tasti freccia. **NOTA BENE!** La selezione NO USER apre il menu impostazioni attrezzo ed il sottomenu con i dati di percorrenza complessiva ed ore di esercizio. Confermare la selezione con il tasto ENTER.
2. Inserisci le unità di misura (Metric = sistema metrico-decimale, Imperial = unità di misura inglesi); spostati da un dato all'altro tramite i tasti freccia, e conferma il dato da inserire facendo uso del tasto ENTER. A questo punto passerai all'inserimento del dato successivo.
3. Impostare il peso dell'utente. Cambia i dati tramite i tasti freccia, e conferma il dato inserito facendo uso del tasto ENTER. Il dato è necessario per effettuare il calcolo sul consumo di energia.
4. Dati concernenti il sesso (Male = maschile, Female = femminile); spostati da un dato all'altro tramite i tasti freccia, e conferma il dato da inserire facendo uso del tasto ENTER. Il dato è necessario per effettuare il calcolo sul consumo di energia.
5. Scrivi l'età dell'utente; cambia i dati tramite i tasti freccia, e conferma il dato inserito facendo uso del tasto ENTER. Il dato è necessario per effettuare il calcolo sul consumo di energia.
6. Disponi circa l'uso di segnale acustico (ON = segnale acustico in uso, OFF = segnali acustici non in uso); spostati da un'opzione all'altra tramite i tasti freccia, e conferma l'opzione da inserire facendo uso del tasto ENTER. Durante il programma profilo, il pannello comunica in anticipo l'imminente variazione del profilo, emettendo un segnale acustico.
7. Impostare le unità di misura dell'attrezzo (km/h, min/km, mph, min/miglia). Cambia i dati tramite i tasti freccia, e conferma il dato inserito facendo uso del tasto ENTER. La selezione delle unità di misura può essere effettuata anche durante l'allenamento: premi il tasto SET, cambia i dati tramite i tasti freccia, e conferma il dato inserito facendo uso del tasto ENTER.
8. Durante i programmi PSC e controllo frequenza

cardiaca il treadmill deve essere regolato alla velocità massima. Durante questi programmi, la velocità viene regolata automaticamente in base alla frequenza cardiaca dell'utente; se la velocità del treadmill non venisse impostata al massimo fin dall'inizio, questa potrebbe aumentare in misura eccessiva durante l'allenamento. Il valore di default della velocità massima è pari a 12 km/h. Cambia i dati tramite i tasti freccia, e conferma il dato inserito facendo uso del tasto ENTER.

9. La schermata TOTAL TIME visualizza le ore di utilizzo complessive del treadmill per utente. Con tasto ENTER passerai al dato successivo. 10. La schermata TOTAL DISTANCE visualizza la distanza complessiva percorsa dall'utente. Con tasto ENTER ritornerai ai dati concernenti il sesso dell'utente. Per uscire dalla fase "Inserimento dati utente", basta premere il tasto START.

Dopo aver impostato i dati utente, questi possono essere sfruttati ed utilizzati, selezionando il codice utente personale all'inizio di ogni allenamento. Il codice utente selezionato rimane nella memoria dell'attrezzo fino a quando non sarà selezionato un nuovo codice, la chiave di sicurezza non sarà estratta o la spina di alimentazione non sarà tolta dalla presa di corrente.

CONTROLLO VELO

CITÀ DA POSIZIONE (PSC)

Nella funzione Controllo Velocità da Posizione (PSC), la regolazione velocità del treadmill avviene cambiando la propria posizione sul nastro. In particolare, la velocità aumenta se, sul nastro, ti sposti in avanti, diminuisce, se ti sposti all'indietro e rimane invariata, se resti al centro del nastro.

ATTENZIONE! L'uso della funzione PSC presuppone l'uso di cintura pulsazioni di Polar T41! A riprova del funzionamento misura palpitazioni, sul display del misuratore Heart Rate compare un quadratino lampeggiante.

ATTENZIONE! Quando usi la funzione PSC, devi sempre aver cura di collegare bene alla tua camicia il fermaglio della chiave di sicurezza. Regola la lunghezza del laccio della chiave, in maniera tale, che la chiave stessa venga a staccarsi dal misuratore, qualora tu indietreggiassi troppo.

ATTENZIONE! Se esegui le tue esercitazioni con l'aiuto della funzione PSC, nelle vicinanze del treadmill (entro un raggio per lo meno di due metri) non deve trovarsi alcun altro trasmettitore pulsazioni; il segnale emesso contemporaneamente da due trasmettitori è un pericolo per la sicurezza, in quanto rende ingarbugliato il controllo della funzione PSC!

L'impostazione della funzione PSC deve essere effettuata quando il nastro è fermo.

1. Incomincia l'uso della funzione PSC, fissando i limiti per le zone velocità. Premi il tasto del misuratore PSC.
2. Sul display viene visualizzato il messaggio PSC ON (funzione attiva) o PSC OFF (funzione non attiva) in base al tipo di selezione fatta durante l'allenamento

precedente. Selezionare PSC ON con i tasti frecci e confermare con il tasto ENTER.

3 Sul display viene visualizzato il messaggio PRESS ENTER TO PSC CALIBRATION OR START TO EXIT (premere ENTER per accedere alle impostazioni della funzione PSC, START per uscire). Posizionarsi nella parte centrale del nastro del treadmill. L'area di accelerazione si trova a circa 10 cm dalla posizione dell'utente, in direzione della parte anteriore del nastro, mentre quella di decelerazione a circa 20 cm verso la parte posteriore. Premi ENTER, sul display viene visualizzato il messaggio PLEASE WAIT 8, e così il contatore misura la tua distanza, basandosi sul segnale pulsazioni. Passati 8 secondi di misurazione, sul display compare il testo CALIBRATION READY PRESS START (taratura completata, attiva la funzione, premendo il tasto START).

4. Se al contatore non arrivasse il segnale pulsazioni, o qualora si presentasse qualche problema nella misura della distanza, il contatore ritornerà sul display in posizione CALIBRATION. In tale situazione, sul display compare il testo CHECK TRANSMITTER. In questo caso, accertati di avere osservato tutte le istruzioni concernenti l'uso di cintura pulsazioni.

Se tu pensi che i limiti delle zone velocità siano quelli adatti, anche in seguito puoi usare la funzione PSC, semplicemente premendo il tasto PSC (ON), ENTER e START e scegliendo, dopo di ciò, il modo di esercizio desiderato. Se si desiderano modificare i limiti delle aree di regolazione della velocità, ripetere le procedure 1-3, posizionandosi nelle aree relative dei nastri durante l'operazione di impostazione.

1. Scegli un'esercitazione in Manual, Rolling Hills, test di condizione fisica oppure un'esercitazione a pulsazioni costanti, basata sulla regolazione dell'angolo pedana. In esse puoi guidare la velocità del tappeto, usando la funzione PSC. L'attivazione di tale funzione risulta dall'accensione di un apposito segnale luminoso sul contatore PSC. L'attività della funzione PSC viene mostrata tramite le barrette che si trovano a destra del display di grafica del misuratore. Le barrette mostrano in che ambiti di velocità vieni a trovarti, di volta in volta (lepre = aumento della velocità, - = velocità costante, tartaruga = riduzione della velocità).

2. Incomincia l'esercizio prescelto premendo il tasto START e regola la velocità del tappeto, spostandoti su di esso in avanti o all'indietro. Fai attenzione, perché con la funzione PSC sono attivi anche i tasti di regolazione velocità (tartaruga/lepre). **ATTENZIONE!** Quando provi la funzione PSC per la prima volta, è meglio prima fare un pò di prove a velocità ridotta.

SCelta DELL'ESERCIZIO

Premi quindi il tasto SELECT, finché la spia luminosa non si accenda in corrispondenza dell'esercizio da te scelto. Le selezioni possibili sono le seguenti:

1. Esercizio in Manual, in cui sei tu stesso, durante l'esecuzione, a regolare sia la velocità che l'angolo di inclinazione della pedana.
2. Esercizio HRC, a controllo frequenza cardiaca. In esso la velocità / inclinazione del treadmill viene ad essere

regolata automaticamente, in modo che l'esecuzione proceda sempre al livello pulsazioni da te prestabilito; i profili a controllo frequenza cardiaca presuppongono sempre l'uso di cintura pulsazioni.

3. Test di condizione fisica: il treadmill offre due alternative, test di camminata da 2 km e prova di corsa Cooper da 12 km.

4. Esercizio a profilo prestabilito, in cui la velocità, l'angolo o il livello pulsazioni variano seguendo uno schema prefissato in precedenza.

ESERCIZIO IN MANUAL

AVVIO RAPIDO:

1. L'esercitazione in Manual è quella che il treadmill ha come predisposizione di base. Puoi passare direttamente all'esercizio, premendo il tasto START, e il tappeto si metterà in movimento alla velocità di 1,5 km all'ora.

AVVIO DOPO L'INSERIMENTO DEL CODICE UTENTE:

2. Se si desidera sfruttare i dati personali inseriti in memoria o salvare il proprio allenamento personalizzato, bisogna impostare o selezionare il proprio codice utente (1-4). Premi il tasto START per confermare.

3. Premi il tasto SELECT, finché non si accenda la spia luminosa vicina al testo MANUAL.

4. Premi il tasto START, e il tappeto si metterà in movimento, alla velocità di 1,5 km all'ora. Sei tu a regolare la velocità del nastro, mediante la funzione PSC o tramite i tasti lepre e tartaruga, ed la inclinazione, facendo uso dei tasti inclinazione.

5. Sul display del profilo, ad intervalli di un minuto, si predispongono i dati relativi alla velocità di esecuzione. Trascorsi 20 minuti, i dati in visione incominciano a spostarsi a sinistra, in modo che sul display restino solo i dati velocità relativi agli ultimi 20 minuti. Premendo il tasto SELECT durante l'allenamento, è possibile visualizzare i profili cumulativi di velocità, inclinazione e frequenza cardiaca dell'esercizio.

6. Premendo una volta il tasto STOP, il treadmill si ferma e va ad assumere una posizione di attesa, per la durata di 5 minuti. In modalità stand-by è possibile salvare i risultati dell'allenamento nella memoria del pannello (vedi funzione memoria. Per fermare l'attrezzo basta premere due volte il tasto STOP. In questo caso il pannello visualizzerà le informazioni relative all'allenamento completato e poi passerà in modalità avviamento.

ESERCIZIO A CONTROLLO

PULSAZIONI CARDIACHE

Gli esercizi a pulsazioni standard rendono possibile l'esecuzione di un esercizio, in cui le pulsazioni cardiache si mantengano ai livelli desiderati. Gli esercizi presuppongono sempre l'uso di cintura pulsazioni. Se la misura dei battiti non funziona, sulla lavagna del display compare l'avviso CHECK TRANSMITTER. In questo caso, accertati di avere osservato tutte le istruzioni concernenti l'uso di cintura pulsazioni.

1. Se si desidera sfruttare i dati personali inseriti in memoria o salvare il proprio allenamento personalizzato, bisogna impostare o selezionare il proprio codice utente

- (1-4). Premi il tasto START per confermare.
2. Premi il tasto SELECT, finché non si accenda la spia luminosa vicina al testo HRC. Premi il tasto ENTER per confermare.
3. Selezionare il modello di controllo in base alla frequenza cardiaca, utilizzando i tasti freccia:

a) **Inclinazione** = La definizione del livello delle pulsazioni si basa principalmente sui cambiamenti del livello di pendenza della piattaforma. In questo modo di esercizio sei tu a regolare la velocità del nastro, mediante la funzione PSC o tramite i tasti lepre e tartaruga.

b) **Velocità** = La definizione del livello delle pulsazioni si basa sui cambiamenti della velocità del tappeto. Se lei desidera, lei può cambiare l'inclinazione a mano.

c) **Combinazione** = La definizione del livello delle pulsazioni si basa sul controllo esercitato dall'attrezzo in maniera uguale sia sull'angolo di pendenza della piattaforma che sulla velocità del tappeto.

4. Premi il tasto ENTER per confermare.
5. Fissa il valore pulsazioni, da te desiderato (80-180), facendo uso dei tasti freccia.
6. Inizia il programma a pulsazioni standard premendo il tasto START. Durante l'esercizio, puoi cambiare il livello di frequenza cardiaca facendo uso dei tasti freccia.
7. Sul display del profilo, ad intervalli di un minuto, si predispongono i dati relativi alla velocità di esecuzione. Trascorsi 20 minuti, i dati in visione incominciano a spostarsi a sinistra, in modo che sul display restino solo i dati velocità relativi agli ultimi 20 minuti. Premendo il tasto SELECT durante l'allenamento, è possibile visualizzare i profili cumulativi di velocità, inclinazione e frequenza cardiaca dell'esercizio.
8. Premendo una volta il tasto STOP, il treadmill si ferma e va ad assumere una posizione di attesa, per la durata di 5 minuti. In modalità stand-by è possibile salvare i risultati dell'allenamento nella memoria del pannello (vedi funzione memoria. Per fermare l'attrezzo basta premere due volte il tasto STOP. In questo caso il pannello visualizzerà le informazioni relative all'allenamento completato e poi passerà in modalità avviamento.

TEST DI CONDIZIONE FISICA

Il treadmill permette di eseguire due diversi test di condizione fisica. Il più leggero è un test di camminata di 2 km, che viene effettuata a velocità sostenuta. Per i più in forma è invece consigliato il test di corsa Cooper, che dura 12 minuti.

1. Premi il tasto SELECT, finché non si accenda la spia luminosa vicina al testo TEST. Premi il tasto ENTER per confermare.
2. Premere il tasto SELECT per selezionare il test di camminata da 2 km od il test Cooper. Premi il tasto ENTER per confermare.

TEST FITNESS DI 2 KM DI CAMMINATA

Il test di camminata richiede l'uso del cardiofrequenzimetro. Durante il test, il livello della condizione fisica viene calcolato in base alla frequenza cardiaca ed al tempo impiegato per completare

il percorso di 2 km. Il test prevede 3 minuti di riscaldamento. Raccomandiamo inoltre che, terminato il test, l'utente continui a camminare a velocità più bassa per far tornare al suo ritmo normale la frequenza cardiaca. In base ai risultati del test, sul display viene visualizzato il consumo di ossigeno calcolato.

INIZIO DEL TEST DI CAMMINATA:

1. Il programma chiede nel campo di testo l'altezza (HEIGHT) dell'utente: inserire la propria altezza, utilizzando i tasti freccia. Confermare la selezione, premendo il tasto ENTER.
2. Il programma chiede nel campo di testo il sesso (SEX) dell'utente: inserire il proprio sesso, utilizzando i tasti freccia. Confermare la selezione, premendo il tasto ENTER.
3. Il programma chiede nel campo di testo il peso (WEIGHT) dell'utente: inserire il proprio peso, utilizzando i tasti freccia. Confermare la selezione, premendo il tasto ENTER.
4. Il programma chiede nel campo di testo l'età (AGE) dell'utente: inserire la propria età, utilizzando i tasti freccia. Confermare la selezione, premendo il tasto ENTER.
5. Il programma indica nel campo di testo l'inizio dei 3 minuti di riscaldamento (WARM UP). Avviare il riscaldamento con il tasto START.
6. L'inclinazione del treadmill viene regolata automaticamente all'1%, in modo da simulare la resistenza del vento durante il test. Regolare la velocità con i test freccia. Per il riscaldamento consigliamo una velocità di camminata leggermente superiore a quella media.
7. Durante la fase di riscaldamento il timer eseguirà il conto alla rovescia, partendo da tre minuti. Quando il timer arriverà a 0:00, il pannello emetterà un segnale acustico, avvertendo l'utente dell'inizio del test vero e proprio (TEST STARTED!).

OBIETTIVO DEL TEST DI CAMMINATA:

1. L'obiettivo del test è di camminare il più velocemente possibile per 2 km. Regolare la velocità con i test freccia. Ricordare che durante il test non si può correre!
2. Se il cardiofrequenzimetro non dovesse funzionare correttamente, nel campo di testo verrà visualizzato il messaggio CHECK TRANSMITTER. In questo caso, accertati di avere osservato tutte le istruzioni concernenti l'uso di cintura pulsazioni.
3. Alla fine dei 2 km, il pannello emetterà un segnale acustico. Una volta completato il programma impostato ed il periodo di defaticamento di 5 minuti automatico, il treadmill si fermerà da solo. Nel campo di testo il programma visualizzerà il risultato del test, come consumo massimo di ossigeno e come possibile livello di condizione fisica. Confrontare il proprio risultato con i valori della tabella di riferimento allegata, che evidenzia i livelli di condizione fisica, ripartiti per fasce di età.

TEST COOPER

Nel test Cooper il livello della condizione fisica viene calcolato in base alla distanza corsa in un intervallo di tempo di 12 minuti: più lunga sarà la distanza percorsa, migliore sarà la condizione fisica dimostrata. Il test prevede 3 minuti di riscaldamento. Raccomandiamo inoltre che, terminato il test, l'utente continui a

camminare a velocità più bassa per far tornare al suo ritmo normale la frequenza cardiaca. In base ai risultati del test, sul display viene visualizzato il consumo di ossigeno calcolato.

INIZIO DEL TEST COOPER:

1. Sul display compare il testo COOPER SELECTED. Confermare la selezione, premendo il tasto START.
2. Il programma chiede nel campo di testo il sesso (SEX) dell'utente: inserire il proprio sesso, utilizzando i tasti freccia. Confermare la selezione, premendo il tasto ENTER.
3. Il programma chiede nel campo di testo l'età (AGE) dell'utente: inserire la propria età, utilizzando i tasti freccia. Confermare la selezione, premendo il tasto ENTER.
4. Il programma indica nel campo di testo l'inizio dei 3 minuti di riscaldamento (WARM UP). Avviare il riscaldamento con il tasto START.
5. L'inclinazione del treadmill viene regolata automaticamente all'1%, in modo da simulare la resistenza del vento durante il test. Regolare la velocità con i test freccia. Per il riscaldamento consigliamo una velocità di camminata leggermente superiore a quella media.
6. Durante la fase di riscaldamento il timer eseguirà il conto alla rovescia, partendo da tre minuti. Quando il timer arriverà a 0:00, il pannello emetterà un segnale acustico, avvertendo l'utente dell'inizio del test vero e

proprio (TEST STARTED!).

OBIETTIVO DEL TEST COOPER:

1. L'obiettivo del test è di correre il più velocemente possibile per 12 minuti. Regolare la velocità con i test freccia o con la funzione PSC.
2. Nel campo di testo il programma visualizzerà il risultato del test in relazione alla velocità.
3. Alla fine dei 12 minuti, il pannello emetterà un segnale acustico. Una volta completato il programma impostato ed il periodo di defaticamento di 5 minuti automatico, il treadmill si fermerà da solo. Nel campo di testo il programma visualizzerà il risultato del test, come consumo massimo di ossigeno e come possibile livello di condizione fisica. Confrontare il proprio risultato con i valori della tabella di riferimento allegata, che evidenzia i livelli di condizione fisica, ripartiti per fasce di età.

PROFILI DI ESERCIZIO

Per assicurarsi che ogni esercizio possa essere variopinto e piacevole, oltre che orientato a raggiungere determinati risultati, Tunturi ha messo in programma profili di esercizio in grado di soddisfare le più svariate esigenze. Un segnale acustico, proveniente dal contatore, annuncerà per tempo i cambiamenti di profilo. Sul display compare sia la forma del profilo che i dati relativi alla successiva colonna profilo. Se si desidera sfruttare i dati personali inseriti in memoria o salvare il proprio allenamento personalizzato, bisogna impostare o selezionare il proprio codice utente (1-4).

A. I profili combi 1-3 presentano livelli di difficoltà variabili e valori di velocità ed inclinazione prefissati. La velocità può essere scalata in base al livello desiderato; inoltre, l'utente può selezionare in modo personalizzato sia il valore di durata che di distanza. I profili non prevedono uso di cintura pulsazioni, purtuttavia l'uso di tale cintura può fornire ulteriori ed interessanti dati sulla tua prestazione.

1. Premi il tasto SELECT, finché non si accenda la spia luminosa vicina al profilo (1-3). Premi il tasto ENTER per confermare.
2. Impostare la distanza / durata del profilo. Tra i numeri che compaiono sullo schermo è indicata la durata / distanza prefissata nell'esercizio precedente. Premi il tasto SELECT per cambiare distanza / durata. Puoi cambiare tale valore, facendo uso dei tasti freccia (i valori vanno da un minimo di 10 minuti (10:00) ad un massimo di 3 ore (h3:00), con variazioni graduali di 5 minuti alla volta / 3 km - 42 km, con variazioni graduali di 1 km alla volta).
3. Premi il tasto START; l'esercizio incomincia e il tappeto si mette in movimento. Puoi graduare il livello velocità del profilo, facendo uso dei tasti freccia: in su o in giù, del 1 % alla volta. Premendo il tasto SELECT durante l'allenamento, è possibile visualizzare i profili cumulativi di velocità, inclinazione e frequenza cardiaca dell'esercizio in corso.

UOMINI / CAPACITÀ MASSIMA DI IMMISSIONE DI OSSIGENO (VO2MAX) 1 = MOLTO BASSO - 7 = OTTIMO							
ETÀ	1	2	3	4	5	6	7
18-19	<33	33-38	39-44	45-51	52-57	58-63	>63
20-24	<32	32-37	38-43	44-50	51-56	57-62	>62
25-29	<31	31-35	36-42	43-48	49-53	54-59	>59
30-34	<29	29-34	35-40	41-45	46-51	52-56	>56
35-39	<28	28-32	33-38	39-43	44-48	49-54	>54
40-44	<26	26-31	32-35	36-41	42-46	47-51	>51
45-49	<25	25-29	30-34	35-39	40-43	44-48	>48
50-54	<24	24-27	28-32	33-36	37-41	42-46	>46
55-59	<22	22-26	27-30	31-34	35-39	40-43	>43
60-65	<21	21-24	25-28	29-32	33-36	37-40	>40
DONNE / CAPACITÀ MASSIMA DI IMMISSIONE DI OSSIGENO (VO2MAX) 1 = MOLTO BASSO - 7 = OTTIMO							
ETÀ	1	2	3	4	5	6	7
18-19	<28	28-32	33-37	38-42	43-47	48-52	>52
20-24	<27	27-31	32-36	37-41	42-46	47-51	>51
25-29	<26	26-30	31-35	36-40	41-44	45-49	>49
30-34	<25	25-29	30-33	34-37	38-42	43-46	>46
35-39	<24	24-27	28-31	32-35	36-40	41-44	>44
40-44	<22	22-25	26-29	30-33	34-37	38-41	>41
45-49	<21	21-23	24-27	28-31	32-35	36-38	>38
50-54	<19	19-22	23-25	26-29	30-32	33-36	>36
55-59	<18	18-20	21-23	24-27	28-30	31-33	>33
60-65	<16	16-18	19-21	22-24	25-27	28-30	>30

4. Premendo una volta il tasto STOP, il treadmill si ferma e va ad assumere una posizione di attesa, per la durata di 5 minuti. Puoi salvare i risultati dell'allenamento nella memoria del pannello (vedi funzione memoria). Entro tale lasso di tempo, puoi riavviare l'esercizio interrotto, premendo il tasto START. Per fermare l'attrezzo basta pressare due volte il tasto STOP. In questo caso il pannello visualizzerà le informazioni relative all'allenamento completato e poi passerà in modalità avviamento.

5. Una volta completato il programma impostato ed il periodo di defaticamento automatico, il treadmill si fermerà da solo. Alla fine del programma profilo è possibile salvare i risultati dell'allenamento nella memoria del pannello (vedi funzione memoria).

B. Rolling Hills è un programma di allenamento tipo intervallato che permette all'utente di definire la distanza da percorrere, la durata dell'esercizio e la velocità del treadmill. Nel programma Rolling Hills è possibile inoltre utilizzare anche la funzione di regolazione della velocità PSC. Se non si utilizza la funzione PSC, il profilo non richiede l'impiego del cardiofrequenzimetro. Ciononostante, questo strumento fornisce tutta una serie di dati interessanti, legati al rendimento dell'utente.

1. Premi il tasto SELECT, finchè non si accenda la spia luminosa vicina al profilo 4. Premi il tasto ENTER per confermare.

2. Impostare la distanza / durata del profilo. Tra i numeri che compaiono sullo schermo è indicata la durata / distanza prefissata nell'esercizio precedente. Premi il tasto SELECT per cambiare distanza / durata. Puoi cambiare tale valore, facendo uso dei tasti freccia (i valori vanno da un minimo di 10 minuti (10:00) ad un massimo di 3 ore (h3:00), con variazioni graduali di 5 minuti alla volta / 3 km – 42 km, con variazioni graduali di 1 km alla volta). Premi quindi il tasto ENTER per confermare il dato fornito.

3. Premi il tasto START; l'esercizio incomincia e il tappeto si mette in movimento.

4. In questo modo di esercizio sei tu a regolare la velocità del nastro, mediante la funzione PSC o tramite i tasti lepre e tartaruga. Pressando il tasto SELECT durante l'allenamento, è possibile visualizzare i profili cumulativi di inclinazione e frequenza cardiaca dell'esercizio in corso.

5. Premendo una volta il tasto STOP, il treadmill si ferma e va ad assumere una posizione di attesa, per la durata di 5 minuti. Entro tale lasso di tempo, puoi riavviare l'esercizio interrotto, premendo il tasto START. Se poi premi per due volte il tasto STOP, il tuo esercizio programmato finisce definitivamente. Una pressione di 2 secondi sul tasto STOP avrà l'effetto di azzerare il contatore, per cui questo sarà pronto per una nuova partenza.

6. Alla fine del programma profilo, il treadmill si arresta automaticamente. Alla fine del programma profilo è possibile salvare i risultati dell'allenamento nella memoria del pannello (vedi funzione memoria).

C. I profili HRC sono profili a frequenza cardiaca controllate, con diversi livelli di impegno. In essi puoi predeterminare la durata dell'esercitazione. In quanto

profili a controllo frequenza cardiaca presuppongono sempre l'uso di cintura pulsazioni. Se la misura dei battiti non funziona, sulla lavagna del display compare l'avviso CHECK TRANSMITTER. In questo caso, accertati di avere osservato tutte le istruzioni concernenti l'uso di cintura pulsazioni.

1. Premi il tasto SELECT, finchè non si accenda la spia luminosa vicina al profilo (5-8). Premi il tasto ENTER per confermare.

2. Selezionare il modello di controllo in base alla frequenza cardiaca, utilizzando i tasti freccia. Premi il tasto ENTER per confermare.

3. Impostare la distanza / durata del profilo. Tra i numeri che compaiono sullo schermo è indicata la durata / distanza prefissata nell'esercizio precedente. Premi il tasto SELECT per cambiare distanza / durata. Puoi cambiare tale valore, facendo uso dei tasti freccia (i valori vanno da un minimo di 10 minuti (10:00) ad un massimo di 3 ore (h3:00), con variazioni graduali di 5 minuti alla volta / 3 km – 42 km, con variazioni graduali di 1 km alla volta).

4. Premi il tasto START; l'esercizio incomincia e il tappeto si mette in movimento. Puoi graduare il livello velocità del profilo, facendo uso dei tasti freccia: in su o in giù, del 1 % alla volta.

5. Premendo una volta il tasto STOP, il treadmill si ferma e va ad assumere una posizione di attesa, per la durata di 5 minuti. Entro tale lasso di tempo, puoi riavviare l'esercizio interrotto, premendo il tasto START. Se poi premi per due volte il tasto STOP, il tuo esercizio programmato finisce definitivamente. Una pressione di 2 secondi sul tasto STOP avrà l'effetto di azzerare il contatore, per cui questo sarà pronto per una nuova partenza.

6. Alla fine del programma profilo, il treadmill si arresta automaticamente. Alla fine del programma profilo è possibile salvare i risultati dell'allenamento nella memoria del pannello (vedi funzione memoria).

PROFILI

(le foto sono riportate nella copertina di fondo)

PROFILO 1 (Hill Walk). Il profilo prevede variazioni di pendenza costanti ed un passo sostenuto ed uniforme. È particolarmente indicato per i principianti e per chi pratica la camminata (walking). La velocità media preimpostata è di 5,2 km/h e la massima di 5,8 km/h. La pendenza media è pari a 2,7%.

PROFILO 2 (Hill Jog). Il profilo prevede cambiamenti di pendenza varie ed un ritmo di corsa leggero ed uniforme. È particolarmente indicato per i principianti e per il mantenimento della condizione fisica. La velocità media preimpostata è di 6,9 km/h e la massima di 7,2 km/h. La pendenza media è pari a 1,9 %.

PROFILO 3 (Hill Run). Il profilo prevede una pendenza uniforme e limitata, ed un ritmo di corsa sostenuto e variabile. È indicato per chi pratica la corsa. La velocità media preimpostata è di 11,6 km/h e la massima di 12,5 km/h. La pendenza media è pari a 1,8 %.

PROFILO 4 (Rolling Hills). Distanza da percorrere: la lunghezza del profilo può essere impostata in chilometri.

Nonostante questo profilo sia stato sviluppato soprattutto per chi pratica lo sport a livello agonistico, è indicato anche per il miglioramento della condizione fisica. La lunghezza massima del percorso è pari a 42 km, distanza preimpostata pari a 3 km e possibilità di regolazione 1 km alla volta. Le importazioni della pendenza sono di tipo ad intervallo ed il valore medio è pari al 2,4%.

PROFILI 5 (Fatburner 1). Profilo d'intensità media, con controllo della frequenza cardiaca. Questo profilo si basa sull'aumento e la riduzione intervallata della frequenza cardiaca. Questo profilo è indicato per il controllo del peso corporeo. La frequenza cardiaca preimpostata è pari a 114 battiti, mentre quella massima a 125.

PROFILO 6 (Fatburner 2). Profilo d'intensità media, con controllo della frequenza cardiaca. Questo profilo si basa sull'aumento e la riduzione intervallata della frequenza cardiaca. È particolarmente indicato per il miglioramento della condizione fisica e per il controllo del peso corporeo. La frequenza cardiaca preimpostata è pari a 122 battiti, mentre quella massima a 136.

PROFILO 7 (Cardio). Profilo d'intensità media, con controllo della frequenza cardiaca. Questo profilo si basa sull'aumento e la riduzione costante della frequenza cardiaca, che si attesta intorno a 130-140 battiti per l'intera durata dell'esercizio. Questo profilo è particolarmente indicato per il miglioramento della condizione fisica. La frequenza cardiaca preimpostata è pari a 129 battiti, mentre quella massima a 145.

PROFILO 8 (Fit). Profilo d'intensità elevata, con controllo della frequenza cardiaca. Questo profilo si basa sull'aumento e la riduzione costante della frequenza cardiaca, che si attesta intorno a 135-145 battiti per l'intera durata dell'esercizio. Questo profilo è particolarmente indicato per chi gode già di un'ottima condizione fisica e per chi invece la vuole migliorare. La frequenza cardiaca preimpostata è pari a 133 battiti, mentre quella massima a 150.

FUNZIONE MEMORIA

La funzione memoria richiede l'uso del codice utente: i risultati dell'allenamento vengono salvati sotto il codice utente selezionato. La memoria del pannello permette di salvare 5 allenamenti / codice utente.

MEMORIZZAZIONE DEL PROPRIO PROFILO

1. I risultati di allenamento dei profili pronti possono essere memorizzati immediatamente dopo la fine dell'esercizio. Per quanto concerne invece i programmi manuale e HRC (controllo frequenza cardiaca), alla fine dell'allenamento bisogna pressare una volta il tasto STOP, prima di poter procedere alla memorizzazione dei risultati. Per passare alla funzione di memorizzazione, bisogna pressare il tasto MEM.
2. Nel campo di testo del pannello verrà visualizzato il testo (SAVE AS OWN 1-5) salva la sessione di allenamento. Selezionare la posizione memoria desiderata, utilizzando i tasti freccia e confermare con ENTER. La sessione di allenamento sarà quindi salvata nella posizione memoria selezionata.

3. Se tutte le posizioni memoria sono già occupate, sovrascrivere uno dei profili precedenti con quello nuovo. In questo caso il programma chiederà la conferma, visualizzando nel campo di testo (REPLACE OWN 1-5). Confermare la selezione, premendo il tasto ENTER: la sessione di allenamento sarà quindi salvata nella posizione memoria selezionata.

4. Nel campo di testo, sarà confermata l'operazione, attraverso la visualizzazione del messaggio (SAVED AS OWN 1-5). Il pannello entrerà automaticamente in stato di avviamento.

NOTA BENE! Il profilo viene salvato solo se la variazione di velocità o inclinazione è pari a 30. I profili da salvare, devono avere una durata di almeno 10 minuti.

UTILIZZO DEL PROPRIO PROFILO

1. Inserire il codice utente.
2. Pressare il tasto MEM.
3. Pressare il tasto SELECT fino a quando non si accenderà la spia del proprio profilo (01-5 MEMORY). Pressare il tasto ENTER per confermare la selezione. Selezionare RERUN (utilizzo del profilo senza modifiche) oppure RACE (utilizzo del profilo sulla base del programma competizione) con il tasto SELECT.
4. Pressare il tasto ENTER per confermare la selezione.
5. Avviare il profilo con il tasto START.
6. La funzione RERUN permette di scalare il proprio profilo e di salvarlo nuovamente dopo le modifiche.

FUNZIONE COMPETIZIONE

Selezionando dal menu profili propri la funzione RACE, sarà possibile competere contro il profilo salvato. L'obiettivo è di correre il profilo velocità/inclinazione il più velocemente possibile.

1. Avviare il profilo con il tasto START.
2. Regolare la propria velocità manualmente o per mezzo della funzione PCS in linea con propria condizione fisica.
3. Il display del pannello visualizza l'avanzamento del profilo, le variazioni di livello di difficoltà ed il rendimento dell'utente rispetto ai valori memorizzati: il messaggio "YOU ARE X.XX BEHIND" indica all'utente che è in ritardo rispetto ai tempi di riferimento, mentre "YOU ARE X.XX AHEAD" indica che l'utente è in avanti rispetto ai tempi di riferimento del profilo.
4. Alla fine del programma profilo, il treadmill si arresta automaticamente. Alla fine del programma profilo è possibile salvare i risultati dell'allenamento nella memoria del pannello (vedi funzione memoria).

MANUTENZIONE

Per garantire la sicurezza del treadmill è necessario svolgere regolarmente i vari interventi di manutenzione e servizio e riparare eventuali anomalie (usura dei componenti). Importante è controllare periodicamente la tenuta di tutte le viti ed i dadi di fissaggio. Se un componente si guasta, dovrà essere sostituito tempestivamente. Il treadmill non potrà essere utilizzato se non è perfettamente funzionante.

PULIZIA DAL TREADMILL ED LUBRIFICAZIONE

Pulite i corrimano ed il pannello dalle polveri con un panno umido, senza usare solventi. Usate un'aspirapolvere con punta piccola per pulire dalla polvere tutte le parti visibili (nastro, piattaforma, bordi dei rulli etc.). Aspirate anche nelle grate del motore. Per pulire la base dell'attrezzo, sollevarlo verticalmente in posizione di riposo salvaspazio.

ATTENZIONE! Anche l'ambiente adiacente al treadmill va conservato pulito. In fase esecutiva, sul treadmill potrebbero concentrarsi polveri o altro sudiciume, con conseguenze dannose al funzionamento dell'apparato.

La lubrificazione del treadmill rappresenta un intervento di servizio estremamente importante. In normali condizioni d'uso (uso a casa, allenamenti della durata di 1 ora/giorno) il treadmill deve essere lubrificato ogni 300 ore. Il contatore permette di visualizzare le ore di esercizio complessive del treadmill. Controlla la lubrificazione se il tappeto inizia a muoversi a scatti. Ferma il tappeto e controlla con le mani la superficie sotto il tappeto; se le dita rimarranno asciutte ed il tappeto non è scivoloso, allora dovrai eseguire la lubrificazione nel modo seguente:

1. Posiziona il beccuccio di lubrificazione sulla bocca della bottiglia.
2. Solleva il bordo del tappeto fermo.
3. Inserisci la cannuccia fra il tappeto e la base, a circa 20 cm. di distanza dall'estremità frontale dell'attrezzo.
4. Spruzza il lubrificante su tutta la superficie della base del tappeto, possibilmente nell'area centrale. Una bottiglia di T-Lube è sufficiente per due lubrificazioni.
5. L'attrezzo è pronto all'uso.

ATTENZIONE! Per la lubrificazione della base, usare esclusivamente lubrificante T-Lube S, della Tunturi. Il T-Lube S può essere richiesto direttamente dal vostro rivenditore di fiducia.

ATTENZIONE! Dopo la lubrificazione, raccomandiamo di utilizzare il treadmill per almeno 5 minuti prima di riporlo in posizione verticale. In questo modo s'impedisce la fuoriuscita dell'olio di lubrificazione.

ALLINEAMENTO DEL NASTRO

Controllate la scorrevolezza del tappeto nel corso dell'esercizio ed eseguite le eventuali operazioni di regolazione. Il nastro deve scorrere nella parte centrale dell'attrezzo. Normalmente non c'è bisogno di eseguire alcun tipo di allineamento, se

- il treadmill si trova su una superficie uniforme e la tensione del nastro è corretta
- il nastro si trova in posizione centrale

Se necessario, l'allineamento del nastro è regolato dai due dadi posti sul retro dell'attrezzo.

1. Accendere l'attrezzo e regolare la velocità su 5 km/h.
2. Se il nastro scivola a sinistra girare di $\frac{1}{4}$ il dado a sinistra in senso orario e svitare di $\frac{1}{4}$ il dado a destra in senso antiorario. Non girate più di $\frac{1}{4}$ per volta. Se

il nastro scivola a destra girare di $\frac{1}{4}$ il dado a destra in senso orario e svitare di $\frac{1}{4}$ il dado a sinistra in senso antiorario.

3. Se il nastro resta in centro, l'allineamento è corretto, altrimenti continuate ad effettuare piccole regolazioni come sopra finché il nastro non rimanga in centro. Se il nastro è lasciato per lunghi periodi toccare da una parte, si deteriora e deve essere cambiato. Questo non è coperto da garanzia perché è dovuto ad una mancanza di manutenzione.

REGOLAZIONE DELLA TENSIONE DEL NASTRO

Il nastro deve essere teso se scivola sui rulli. In uso normale, comunque, mantenete il più lento possibile! Per regolare la tensione del nastro si agisce sugli stessi dadi che si regolano per l'allineamento.

1. Accendere l'attrezzo e regolare la velocità su 5 km/h.
2. Stringere entrambi i dadi in modo uguale ($\frac{1}{4}$ in senso orario).
3. Camminando sul tappeto, e tenendosi ai corrimano, cercate di rallentarlo (come quando si cammina in discesa).

Se il nastro scivola, stringete ancora i dadi di $\frac{1}{4}$ e ripetete il test. Se frenate violentemente il tappeto può scivolare. Se, nonostante la regolazione, il tappeto si allenta continuamente, contatta il tuo fornitore.

DISTURBI DURANTE L'USO

ATTENZIONE! Nonostante un continuo controllo della qualità, l'attrezzatura potrebbe talvolta presentare difetti e malfunzionamenti, causati da qualche singolo componente. Nella maggior parte dei casi, non c'è bisogno di mettersi a far riparare tutta l'attrezzatura, ma generalmente basta sostituire il pezzo o la parte difettosa.

Se nel tuo treadmill compaiono delle funzioni che siano fuori dell'ordinario, gira l'interruttore di corrente in posizione OFF e aspetta per circa un minuto. Poi rimetti in funzione il tappeto ed assicurati che il fenomeno sia scomparso. Qualora non si presenti più il suddetto problema, l'attrezzo può essere usato come d'abitudine. Se però il problema non fosse scomparso, contatta il rivenditore.

Se l'attrezzo non funziona bene durante l'uso o se si ha bisogno dei pezzi di ricambio, contatta il tuo rivenditore Tunturi indicando che cosa si tratta, le condizioni in cui la usi, la data di acquisto, il modello e il numero di serie del tuo attrezzo. Si raccomanda di utilizzare sempre pezzi di ricambio originali.

CODICI DISFUNZIONI

Il display fornisce le informazioni relative a malfunzionamenti da essa stessa rilevati.

SYSTEM CHECK FAILED - Eventuale problema nel controllo del motore. Disattivare l'alimentazione di corrente dell'attrezzo, spegnendo l'interruttore principale. Attendere un minuto e riaccendere l'attrezzo. Se il messaggio di errore non viene più visualizzato, allora potrete continuare ad utilizzare l'attrezzo

regolarmente. Se invece il messaggio di errore venisse visualizzato ancora una volta, allora raccomandiamo di contattare il rivenditore.

SPEED SENSOR ERROR - Funzionamento anomalo del sensore di velocità. Raccomandiamo di contattare il rivenditore.

MOTOR SPEED ERROR - Funzionamento anomalo della regolazione di velocità del nastro. Assicurarsi di utilizzare correttamente l'attrezzo. Non spingere il nastro con i piedi. Disattivare l'alimentazione di corrente dell'attrezzo, spegnendo l'interruttore principale. Attendere un minuto e riaccendere l'attrezzo. Se il messaggio di errore non viene più visualizzato, allora potrete continuare ad utilizzare l'attrezzo regolarmente. Se invece il messaggio di errore venisse visualizzato ancora una volta, allora raccomandiamo di contattare il rivenditore.

MOTOR OVERLOAD - Sovraccarico del motore. Assicurarsi di utilizzare correttamente l'attrezzo. Non frenare il nastro. Disattivare l'alimentazione di corrente dell'attrezzo, spegnendo l'interruttore principale. Attendere un minuto e riaccendere l'attrezzo. Se il messaggio di errore non viene più visualizzato, allora potrete continuare ad utilizzare l'attrezzo regolarmente. Controllare la corretta lubrificazione del nastro e, se necessario, aggiungere dell'olio. Se invece il messaggio di errore venisse visualizzato ancora una volta, allora raccomandiamo di contattare il rivenditore.

LIFT MOTOR ERROR - Funzionamento anomalo del motore di sollevamento. Raccomandiamo di contattare il rivenditore.

LIFT MOTOR OVERLOAD - Sovraccarico del motore di sollevamento. Assicurarsi di utilizzare correttamente l'attrezzo. Non sovraccaricare il motore di sollevamento, variando continuamente l'inclinazione dell'attrezzo. Disattivare l'alimentazione di corrente dell'attrezzo, spegnendo l'interruttore principale. Attendere un minuto e riaccendere l'attrezzo. All'avviamento il treadmill esegue automaticamente la taratura del motore di sollevamento. Se il messaggio di errore non viene più visualizzato, allora potrete continuare ad utilizzare l'attrezzo regolarmente. Se invece il messaggio di errore venisse visualizzato ancora una volta, allora raccomandiamo di contattare il rivenditore.

CODICI MANUTENZIONE

CHECK LUBRICATION. Controllare la corretta lubrificazione del nastro e, se necessario, aggiungere dell'olio. Per cancellare, premi sul tasto ENTER due volte.

SPOSTAMENTO ED

IMMAGAZZINAGGIO

Il T60F è possibile sollevarlo verticalmente in posizione di riposo salvaspazio. Il treadmill deve essere fermato sempre prima di mettere l'attrezzo in posizione verticale. Spegni l'interruttore e scollega il cavo di alimentazione sia dalla presa di corrente che dal treadmill. Afferrare la parte posteriore del treadmill e sollevare l'attrezzo fino a quando l'ammortizzatore a gas non si sarà bloccato. **NOTA BENE!** Non lasciare mai il treadmill in posizione di immagazzinamento

solo poggiato sugli ammortizzatori a gas! L'attrezzo si posizionerà automaticamente in posizione di trasporto, poggiando sulle apposite ruote. Sposta l'attrezzatura nel punto desiderato, utilizzando le apposite rotelle. Aprire il blocco degli ammortizzatori a gas, premendo leggermente con il piede il meccanismo contrassegnato da un adesivo sull'ammortizzatore stesso. Abbassare poi il treadmill. Abbassa il treadmill delicatamente sul pavimento.

ATTENZIONE! Muovete l'attrezzo con estrema cautela su superfici non perfettamente piane, per esempio sulle soglie delle porte. Non trasportatelo con le sue ruote mai per le scale, dove invece essere trasportato. Posizionare l'attrezzo su una superficie la più piana possibile. Lo spostamento del treadmill può danneggiare alcuni tipi di pavimento, come per esempio il parquet. Raccomandiamo quindi di proteggere adeguatamente il pavimento. Può darsi che dopo uno spostamento si debba allienare nuovamente il nastro.

Per prevenire problemi, conservate l'attrezzo in luogo non umido e con minori variazioni di temperatura possibili, protetto dalla polvere. Staccate sempre la spina quando non in uso.

DATI TECNICI

Lunghezza	202 cm
(verticale	115 cm)
Altezza	138 cm
(verticale	175 cm)
Larghezza	94 cm
Peso	105 kg
Dimensioni nastro	51 x 138 cm
Velocità	0,5-16,0 km/h
Pendenza	0-10 %
Motore	2,0 HP (1,49 KW)

Tutti i modelli Tunturi sono stati progettati in conformità delle direttive dell'Unione Europea circa i congegni elettromagnetici, EMC (EN 61000-6-1, EN 61000-6-3, 61000-3-3) e materiale elettrico destinato all'uso nell'ambito di determinati limiti di tensione (EN 60335-1) e possono perciò portare affisso il marchio di conformità CE. Il T60F è in conformità con gli standard EN per la precisione e la sicurezza (Classe HA, EN-957, parti 1 e 6).

A causa di una politica volta a un continuo sviluppo del prodotto, la Tunturi si riserva il diritto di effettuare cambiamenti nelle caratteristiche degli attrezzi, senza darne relativo preavviso.

ATTENZIONE! La garanzia non copre danni derivanti da inosservanza, nel montaggio, regolazione e manutenzione, delle istruzioni fornite nella presente guida. Le istruzioni per montaggio, uso e manutenzione della tua attrezzatura, devono essere seguite con molta cura. Non rispondiamo di cambi o modifiche non espressamente approvate da Tunturi Oy Ltd.

Ti auguriamo di avere la gioia di fare tanti allenamenti, insieme al tuo nuovo amico Tunturi!

INDICE

INFORMACIÓN Y PRECAUCIONES.....	64
MONTAJE.....	64
ASPECTOS GENERALES DEL ENTRENAMIENTO	65
RITMO CARDÍACO	66
CONTADOR	67
CONTROL DE VELOCIDAD POR LA POSICIÓN (PSC)	68
SELECCIÓN DEL EJERCICIO	69
EJERCICIO MANUAL	69
PRUEBA PARA MEDIR LA CONDICIÓN PERFILES DE EJERCICIO.....	70
FUNCIÓN DE MEMORIA.....	73
MANTENIMIENTO	73
DEFECTOS DE FUNCIONAMIENTO	74
TRASLADO Y ALMACENAJE	75
DATOS TÉCNICOS.....	75

INFORMACIÓN Y PRECAUCIONES

Esta guía es una parte esencial de su equipo de entrenamiento. Lea atentamente esta guía antes del montaje, uso o mantenimiento de su equipo de ejercicio. Mantenga esta guía en lugar seguro; le brindará hoy y en el futuro la información que necesite para usar y mantener su equipo. Siga siempre atentamente sus instrucciones.

- Esta máquina sólo se debe enchufar a un enchufe con toma de tierra. No enchufe nunca la máquina a una alargadera. El consumo máximo de la máquina es de 10 A. Los enchufes a los que se conecten otros aparatos o cuya corriente fl uctúe en más de un 10 % pueden producir el funcionamiento errático de la máquina o afectar negativamente a su electrónica. El uso de una corriente eléctrica distinta a la especificada en este manual anula la garantía explícita o tácita de la máquina.
- Esta máquina está equipada con un cordón con enchufe con toma de tierra. No cambie la clavija suministrada con la máquina. Si no la puede enchufar a su enchufe, pida a un electricista autorizado o a una persona familiarizada con el mantenimiento de aparatos electromecánicos que le instale uno adecuado, que cumpla además las normas en vigor.
- Antes de iniciar cualquier entrenamiento, consulte a un médico para revisar su estado de salud.
- Si siente náuseas, vértigo u otros síntomas anormales, deje el ejercicio inmediatamente y consulte a un médico.
- No intente hacer revisiones o ajustes no descritos en este Manual. Siga al pie de la letra las instrucciones de servicio. Antes de hacer cualquier tarea de montaje o mantenimiento compruebe si la máquina está apagada y desenchufada.
- Esta máquina no se debe usar a la intemperie. El equipo tolera una temperatura ambiente de entre +10°C y + 35°C. La humedad relativa ambiente nunca debe exceder el 90 %.
- El equipo no puede ser usado por personas de más de 135 kg.
- El equipo ha sido diseñado para un uso en casa. La garantía se aplica sólo a defectos o malfuncionamiento en un uso en casa (24 meses). Anótese que la garantía no cubre daños debidos a transportes o negligencias

de ajuste o no seguir instrucciones de mantenimiento descritas en este manual.

BIENVENIDO AL MUNDO TUNTURI DEL EJERCICIO!

Su elección demuestra que Ud. realmente está dispuesto a invertir en su bienestar y en su condición física, y asimismo sabe apreciar la calidad y el estilo. Con el equipamiento de ejercicio Tunturi, Ud. ha elegido como compañero de entrenamiento un producto de alta calidad, seguro y motivador. Cualquiera sea su meta, puede estar seguro de que este equipo le acompañará hasta cumplirla. Encontrará información sobre el uso de su equipo de ejercicios y todo lo inherente a un entrenamiento eficiente en el sitio de Tunturi en Internet (WWW.TUNTURI.COM).

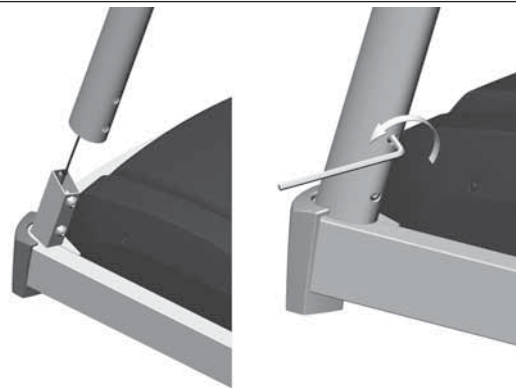
MONTAJE

Compruebe si en los embalajes están todas las piezas:

1. Cuadro
2. Barandillas delanteras
3. Reposabrazos transversal
4. Contador
5. Cable de alimentación
6. Kit de montaje (piezas han marcado con * en la lista): se recomienda guardar las piezas de kit, por ejemplo, para eventuales reajustes del equipo.

Las direcciones derecha, izquierda, adelante y atrás se definen desde la posición de ejercicio. Si hubiera algún problema, póngase en contacto con su distribuidor Tunturi. El paquete incluye un saco de silicato para absorber la humedad durante el almacenamiento y transporte. Puede desecharlo una vez que haya abierto el paquete. Para la instalación son necesarias dos personas. El montaje se realiza de la siguiente manera:

BARANDILLAS DELANTERAS



¡ATENCIÓN! ¡No retire los tornillos de sujeción, porque ya están colocados en su lugar! Observe que a través de la barandilla delantera izquierda discurre un cable: tenga cuidado de que el cable no caiga dentro de la barandilla. Coloque las barandillas delanteras a cada lado del cuadro: tire al mismo tiempo hacia arriba del cable que viene de la barandilla para que no quede cogido entre la barandilla y el armazón. Apriete los tornillos después de haber colocado el manillar y el contador en su sitio.

REPOSABRAZOS TRANSVERSAL



Coloque el reposabrazos transversal entre las barandillas delanteras, de forma que el lado convexo esté mirando hacia la parte trasera de la máquina. Ayudándose de tornillos de cabeza hexagonal, sujete el reposabrazos transversal a los dos lados de las barandillas delanteras. Facilite la fijación poniendo el tornillo de ajuste en la cabeza de la llave antes de introducirlo en la abertura que se encuentra en la barandilla delantera.

CONTADOR



Conecte el cable que viene de la barandilla izquierda al conector del cable del contador y meta el cable conectado dentro de la barandilla. Apoye contra los extremos de las barandillas laterales el contador y fíjelo por detrás mediante seis tornillos de cabeza hexagonal. En caso necesario puede facilitar la conexión aflojando el reposabrazos transversal: no afloje el reposabrazos por el lado donde hay una rosca negra de goma.

Apriete ahora los tornillos de fijación de la barandilla. Apriete los tornillos de sujeción introduciendo la cabeza de la llave macho hexagonal por la ranura de la barandilla hacia la cabeza del tornillo de sujeción. **¡ATENCIÓN!** ¡Apriete los tornillos de sujeción girando demasiado los tornillos de sujeción. Presione los pernos de adorno plastificados sobre las barandillas delanteras. Retire la película protectora de la pantalla. Facilite la fijación empujando ligeramente las barandillas hacia delante al ajustar los tornillos.

LLAVE DE SEGURIDAD

Si se quita la llave de la cerradura que hay cerca de la pantalla, la máquina se parará inmediatamente. Meta la llave de seguridad amarilla en el conector de la interfaz. Sujete el clip del otro extremo del cordón de la llave a su

camisa o sudadera. Asegúrese de que el clip de la llave de seguridad está bien sujeto a su ropa, comprobando si al tirar del cordón no se suelta el clip hasta que se desconecte la llave de seguridad de la interfaz de usuario. Al subir o bajar de la máquina y al cambiar de velocidad durante el ejercicio, agárrese bien al manillar. No salte de la máquina mientras esté en movimiento.

CABLE DE ALIMENTACIÓN

Conecte la clavija pequeña del cable en el enchufe que lleva la máquina en la parte delantera. Antes de conectar el equipo a la fuente de electricidad, verifique que la tensión local coincida con la indicada en la placa de modelo. Encienda el equipo con el interruptor que se encuentra al lado del enchufe. **NOTA:** Se debe conectar la T60 a un enchufe con toma de tierra. No use alambres de extensión al conectar el equipo a la corriente.

ASPECTOS GENERALES DEL

ENTRENAMIENTO

Antes de empezar a utilizar la cinta andadora motorizada deberá leer con cuidado las instrucciones referentes a las funciones y el control de la máquina.

El ejercicio con la cinta corredora es un excelente ejercicio aeróbico, siempre que se elija una resistencia no muy alta pero se mantenga durante bastante tiempo. El ejercicio aeróbico consiste en aumentar al máximo el suministro de oxígeno al cuerpo, lo que su vez mejora el estado físico y la resistencia. La capacidad del cuerpo para quemar grasas depende directamente de su capacidad de oxigenación.

El ejercicio aeróbico es ante todo agradable. El objetivo es llegar a sudar, pero sin que el ritmo cardíaco suba de forma excesiva, y, así, poder alargar aún más el entrenamiento. Se recomienda realizar el ejercicio en tres sesiones semanales de entre 30 y 60 minutos cada una, dependiendo del objetivo y la condición física, así como de las posibilidades.

Si lo que desea es caminar, puede añadir al entrenamiento modificaciones y un nivel más exigente sólo con cambiar la inclinación de la superficie de carrera. El ejercicio de marcha se puede hacer más variado si al mismo tiempo se ejercitan los músculos de los brazos con unas pesas pequeñas. En este caso, deberá tomar en consideración su equilibrio y otros factores de seguridad.

Encontrará información sobre el uso de su equipo de ejercicios y todo lo inherente a un entrenamiento eficiente en el sitio de Tunturi en Internet (www.tunturi.com).

SOBRE EL ESPACIO DE EJERCICIO

- Coloque el equipo sobre una superficie firme y nivelada. Deje unos 100x200 cm de espacio detrás de la máquina y unos 100 a cada lado y delante. Asegúrese de que niños y animales domésticos se mantengan alejados mientras el equipo esté en uso.
- Es una buena idea colocar el equipo sobre una base

protectora.

- Verifique que el sitio de ejercicio tenga una ventilación adecuada. Para evitar resfriados, no haga ejercicio en un sitio con corrientes de aire.

SOBRE EL USO DEL EQUIPO

- Cierre siempre el interruptor de alimentación después de su sesión de ejercicios.
- Los padres u otros responsables de menores deben notar que el espíritu de juego y la curiosidad natural de los niños pueden conducir a situaciones para las que el equipo no está diseñado. Si se les permite a los niños usar el equipo de ejercitación, deben ser supervisados y educados en el uso del mismo, considerando su desarrollo físico y mental y su personalidad.
- Sólo una persona por vez puede usar el equipo.
- Nunca deje desatendida la cinta mientras esté conectada a la fuente de alimentación.
- Mantenga las manos alejadas de las piezas móviles. No ponga nunca las manos, los pies u otros objetos bajo la máquina de caminar.
- Para hacer ejercicio lleve ropa y calzado adecuado. Atese bien los cordones de los zapatos. Para evitar heridas o un desgaste innecesario de la máquina, limpie bien la suela de sus zapatos de las piedras o gravilla que pudiera tener.
- Antes de comenzar a usar el equipo, asegúrese de que funciona correctamente en todo sentido. No use un equipo averiado.
- No use la máquina sin los protectores.

COMIENZO DE SESIÓN

- Si siente náuseas, vértigo u otros síntomas anormales, deje el ejercicio inmediatamente y consulte a un médico.
- Para evitar dolores y tensiones musculares, comience y finalice cada sesión con ejercicios de estiramiento.
- Cuando no ande, coloque los pies en los raíles izquierdo y derecho. No permanezca de pie sobre la cinta en movimiento.
- Empiece el ejercicio a un ritmo lento y vaya aumentando gradualmente la velocidad y/o inclinación de acuerdo con su forma física y sensación actual.
- Al subir o bajar de la máquina y al cambiar de velocidad durante el ejercicio, agárrese bien al manillar. No salte de la máquina mientras esté en movimiento.
- Mantenga derechos la espalda y el cuello para evitar entumecimientos y dolores en la nuca, los hombros y la espalda. Corra siempre lo más cerca posible del centro de la cinta y deje entre usted y el contador una distancia que no estorbe su ejercicio, pero que le permita llegar hasta él con facilidad.
- Si durante el ejercicio se produjera algún fallo en el funcionamiento del aparato, deberá agarrarse del manillar y colocarse inmediatamente a horcajadas sobre los raíles laterales de la cinta. A continuación, apague la cinta y lea en las instrucciones de uso el apartado Averías.

AL FINAL DE SESIÓN

- No interrumpa el entrenamiento de repente, reduzca la velocidad gradualmente y no olvide realizar estiramientos después del ejercicio en la cinta.
- Desconecte la llave de seguridad de la interfaz.
- Apague la máquina con el interruptor.
- Desenchufar la máquina del conector y de la

corriente.

- Si fuera necesario, limpie la máquina con un paño húmedo. No use disolventes.
- Guarde el cordón donde no estorbe y fuera del alcance de los niños.

RITMO CARDÍACO

Sea cual sea su objetivo, obtendrá los mejores resultados entrenando a un nivel de esfuerzo adecuado, para lo cual el mejor indicador es su propio ritmo cardíaco. La medida del pulso es más fiable si se hace con un sensor telemétrico en el que los electrodos de un transmisor sujeto al pecho transmiten las pulsaciones del corazón al contador creando un campo electromagnético.

NOTA: Si Usted tiene incorporado un marcapasos, consulte a su médico antes de utilizar un monitor inalámbrico del ritmo cardíaco.

Si quiere medir su pulso de este modo durante su ejercicio, moje las ranuras de los electrodos del transmisor con saliva o agua. Si quiere ponerse el transmisor y la correa encima de una camiseta ligera, moje un poco la camiseta en los puntos donde los electrodos tocan la piel. Colóquese el transmisor justo debajo del pecho, con la correa elástica suficientemente apretada para que los electrodos estén en contacto con su piel, pero no tan fuerte que no pueda respirar normalmente. El transmisor envía automáticamente la lectura de las pulsaciones al contador hasta una distancia aproximada de 1 m.

Si la superficie de los electrodos no está mojada, no aparece en pantalla la medida del pulso. Si los electrodos se secan, hay que volver a mojarlos. Para que la medida del pulso sea más exacta, espere a que los electrodos se calienten. Si hay varios medidores telemétricos del pulso cerca unos de otros, la distancia mínima debe ser de 1,5 m. Del mismo modo, si sólo se usa un receptor con varios transmisores, sólo debe haber en el radio de alcance del transmisor una persona. El transmisor sólo se activa cuando se usa para medir. Sin embargo, el sudor y otras humedades pueden hacer que se active y gaste pila. Por tanto, es importante secar bien los electrodos después de usarlo.

A la hora de elegir la ropa adecuada para realizar los ejercicios tenga en cuenta que algunas fibras textiles (por ejemplo el poliéster o la poliamida) producen electricidad estática, lo que puede impedir una correcta medición del pulso. Tenga en cuenta que el teléfono móvil, el televisor y otros aparatos eléctricos forman a su alrededor un campo electromagnético que puede producir errores en la medición del pulso.

Determine primero su ritmo cardíaco máximo, es decir, el ritmo que ya no aumenta al incrementarse el esfuerzo. Si Ud. no conoce su ritmo cardíaco máximo, use como guía la siguiente fórmula:

$$208 - 0,7 \times \text{EDAD}$$

El máximo varía según las personas. El ritmo cardíaco máximo disminuye en promedio un punto por año. Si

Ud. pertenece a alguno grupo de riesgo, solicite a un médico que le mida su ritmo cardíaco máximo. Hemos definido tres zonas diferentes de ritmo cardíaco para ayudarle en su entrenamiento dirigido.

PRINCIPIANTE: 50-60 % del ritmo cardíaco máximo

También recomendable para “vigilantes de peso”, convalecientes y personas que no hayan hecho ejercicio físico durante largo tiempo. Se recomiendan tres sesiones semanales de por lo menos media hora cada una. El ejercicio regular mejora considerablemente las funciones respiratorias y circulatorias de los principiantes, quienes rápidamente sentirán el progreso.

ENTRENAMIENTO: 60-70 % del ritmo cardíaco máximo

Perfecto para una ejercitación de progreso y mantenimiento. Un esfuerzo regular y razonable desarrolla efectivamente el corazón y los pulmones entrenando un mínimo de 30 minutos al menos tres veces por semana. Para mejorar aún más su condición, aumente o la frecuencia o el esfuerzo, pero no ambos al mismo tiempo.

ENTRENAMIENTO ACTIVO: 70-80 % del ritmo cardíaco máximo

El ejercicio de este nivel es adecuado sólo para quienes están en óptimo estado, y presupone trabajos de alto rendimiento.

CONTADOR

TECLAS DE FUNCIÓN

START

El ejercicio elegido se pone en marcha.

CONTROL DE LA VELOCIDAD (Liebre / Tortuga)

Aumenta la velocidad de la cinta en pasos de 0,1 km/h pulsando la tecla liebre o reduce la velocidad en pasos de 0,1 km/h pulsando la tecla tortuga. Si se pulsán más prolongadamente estas teclas, la velocidad cambia más rápidamente. La velocidad de la cinta trotadora varía entre 0,5-16 km/h.

CONTROL DE LA PENDIENTE

Pulsando la tecla “arriba” la cinta corredora aumenta la inclinación en intervalos de 0,5 % y pulsando la tecla “abajo” ésta disminuye en la misma proporción. Pulsando dichas teclas durante más tiempo aumenta el ritmo de la modificación introducida. El intervalo de la inclinación es de 0 a 10 %.

LAS TECLAS FLECHA

El nivel de dificultad durante los programas de ejercicio se modifica también pulsando dichas opciones. El nivel de pulso durante los programas de pulso se modifica también pulsando dichas opciones. Pulsando el botón “arriba” el nivel de dificultad aumenta y pulsando la tecla “abajo” éste disminuye.

STOP

Pulsando una vez la tecla STOP, la cinta se para y pasa al estado de espera durante cinco minutos. Al mismo

tiempo, se inicia automáticamente la medición del pulso de recuperación. Durante los cinco minutos, puede volver a iniciar el ejercicio interrumpido volviendo a pulsar la tecla START. Pulsando otra vez la tecla STOP, puede terminar el ejercicio. Pulsando durante dos segundos la tecla STOP el contador vuelve a estado inicial de cero y la cinta vuelve al ángulo cero.

SELECT

Antes de pulsar la tecla START puede seleccionar el modo de ejercicio pulsando la tecla SELECT. Durante el ejercicio puede seleccionar el perfil deseado pulsando la tecla SELECT.

ENTER

Confirme la selección (el modo de ejercicio o el programa de ejercicio y las opciones de usuario).

MEMORY

Mediante el botón MEM podrá registrar en la memoria del contador el ejercicio recién realizado. Para que se puedan grabar los ejercicios hay que seleccionar previamente un identificador de usuario que incluye cinco posiciones de memoria.

PSC

Con la función PSC podrá regular la velocidad del aparato sin tocar el contador sólo con cambiar su posición sobre la cinta durante el ejercicio. La función PSC requiere el uso de un pulsómetro y se puede utilizar en los entrenamientos programados manualmente, en los entrenamientos HRC de inclinación guiada y en el perfil Rolling Hills, así como en las dos pruebas de aptitud física.

SET

Con la tecla SET podrá elegir el identificador de usuario, introducir los datos del usuario, seleccionar las unidades utilizadas por la máquina y comprobar el kilometraje y las horas de uso.

PROGRAMA T-WARE

Este equipo es compatible con T-Ware, programa de ordenador que revisa y monitoriza el fitness. Encontrará información sobre el T-Ware en el sitio de Tunturi en Internet (www.tunturi.com).

PANTALLAS

HEART RATE

De 45 a 220 latidos por minuto. La luz de pulso parpadea siempre que el contador reciba una señal de pulso.

KCAL (Consumo estimado de energía)

Consumo estimado de energía (0-9999 kcal) en escalones de 1 kcal.

ELEVATION (Ángulo de inclinación)

0-10 % en escalones de 0,5 %.

TIME (Duración)

Duración del ejercicio en minutos y segundos 00:00 - 99:59, y después, en horas y minutos h1:40-h9:59.

DISTANCE (Distancia)

Distancia recorrida en kilómetros (0,00-99,99 km) en escalones de 0,01 km.

SPEED (velocidad)

La velocidad de la cinta, 0,5-16 km/h en escalones de 0,1 km/h. La señal luminosa indica la unidad seleccionada (km/h, mph, pace = minutos / kilómetro).

MONITOR GRÁFICO Y DE TEXTO

El monitor, que combina las propiedades de texto y perfil, guía al usuario en inglés durante la realización del ejercicio y al cambiar el tipo de entrenamiento.

INTRODUCIR LOS DATOS DE USUARIO

Le recomendamos que escoja un identificador de usuario y que grabe su información personal, porque los datos se utilizan, por ejemplo, para el cálculo específico del consumo energético. Asimismo, tiene la opción de fijar las unidades que utiliza la cinta y de observar los valores acumulados durante el uso del aparato. La selección del identificador de usuario también le permitirá registrar los datos del ejercicio que acaba de realizar.

1. Pulse la tecla SET. Mediante la tecla de flecha seleccione un identificador de usuario del 1 al 4. A continuación, confirme su selección con la tecla ENTER. **NOTA:** Debajo de la opción NO USER, que forma parte de la configuración del aparato, se muestran el kilometraje y el tiempo total de uso.
2. Sistema métrico (Metric = sistema métrico, Imperial = unidades inglesas); pulsando las teclas flecha y confirmando el valor elegido con la ayuda de ENTER.
3. Introduzca su peso. Pulsando las teclas flecha y confirmando con la ayuda de la tecla ENTER. Dicha información es necesaria para estimar el consumo de energía del usuario.
4. Sexo (Male = Hombre, Female = Mujer); pulsando las teclas flecha y confirmando con la ayuda de la tecla ENTER. Dicha información es necesaria para estimar el consumo de energía del usuario.
5. Edad del usuario; pulsando las teclas flecha y confirmando el valor introducido con la ayuda de la tecla ENTER. Dicha información es necesaria para estimar el consumo de energía del usuario.
6. Señal acústica (ON = activa, OFF = no activa); pulsando las teclas de flecha y confirmando el valor elegido con la ayuda de ENTER. En los ejercicios realizados siguiendo un perfil determinado el contador anuncia con anticipación y mediante una señal acústica cualquier cambio en el perfil.
7. Introduzca las unidades que utiliza el monitor (km/h, min/km, millas/hora min/milla). Pulsando las teclas flecha y confirmando con la ayuda de la tecla ENTER. Dicha información es necesaria para estimar el consumo de energía del usuario. **NOTA:** Usted puede establecer las unidades durante el ejercicio: pulse la tecla SET, pulsando las teclas flecha y confirmando con la ayuda de la tecla ENTER.
8. Introduzca la velocidad máxima de la cinta para los ejercicios PSC y de control de ritmo cardíaco, ya que en este tipo de ejercicios la velocidad se establece a partir del ritmo cardíaco del usuario y, si no se fija un límite,

puede verse aumentada sobremanera. La velocidad máxima por defecto es de 12 km/h. Confirme el valor introducido con la tecla ENTER a fin de proceder a la siguiente configuración.

9. En la ventana TOTAL TIME se puede ver el tiempo total de uso acumulado por el usuario. Para seguir, pulse la tecla ENTER.

10. La ventana TOTAL DISTANCE muestra el total de kilómetros acumulados por el usuario. Para salir pulse ENTER.

Una vez haya introducido sus datos (datos del usuario), podrá hacer un uso provechoso de ellos con sólo seleccionar su identificador de usuario cada vez que inicie un nuevo entrenamiento. El identificador de usuario permanece en la memoria del contador hasta la selección de un nuevo identificador, la extracción de la llave de seguridad o la desconexión del cable de alimentación de red del aparato.

CONTROL DE VELOCIDAD POR LA

POSICIÓN (PSC)

Con la función Control de velocidad por la posición (PSC) puede cambiar la velocidad de la cinta corredera desplazándose en la cinta. Si se desplaza hacia la parte delantera de la cinta aumenta la velocidad de ésta. Moviéndose hacia la parte trasera disminuye la velocidad y situándose en la parte central la velocidad sigue igual.

NOTA: La función PSC exige el uso de la correa de pulso Polar T41. Para indicar el buen funcionamiento de la medición de ritmo cardíaco en la pantalla Heart Rate parpadea un cuadrado.

NOTA: Siempre que se use la función PSC la clave de seguridad de la cinta debe estar bien colocada en su ropa. Coloque la cuerda de la llave de manera que ésta se suelte del velocímetro si usted se haya desplazado demasiado hacia atrás.

NOTA: Si usted entrena con la ayuda de la función PSC no debe haber ningún otro aparato de medición de pulso cerca de la cinta (a una distancia mínima de 2 metros) ya que las señales de dos aparatos pueden constituir un peligro para el usuario al hacer interferencia con el dispositivo de control de la función PSC.

La configuración de la función PSC debe efectuarse cuando la cinta se encuentre inmóvil.

1. Empiece usar de la función PSC seleccionando los límites de las áreas de velocidad. Pulse la tecla PSC del velocímetro.
2. En el monitor aparece el texto PSC ON (función activada) o PSC OFF (función desactivada) de acuerdo con los últimos parámetros introducidos en el contador. Establezca PSC ON con las teclas de flecha y pulse ENTER.
3. En la pantalla aparece el texto PRESS ENTER TO PSC CALIBRATION OR START TO EXIT (pulse ENTER para proceder a la configuración de PSC y el botón START para salir de la pantalla de

configuración). Colóquese sobre la parte central de la cinta. La zona de aceleración empieza a unos 10 cm hacia delante desde el punto de medida, mientras la zona de deceleración empieza a unos 20 cm hacia atrás desde el punto de medida. Pulse ENTER, en la pantalla aparece el texto PLEASE WAIT 8: la pantalla le indica su distancia contada según la señal del pulso. Después de la medición de 8 segundos, en la pantalla aparece el texto CALIBRATION READY PRESS START (Calibración lista. Active la función mediante el botón START).

4. En el caso de que el velocímetro no reciba la señal del pulso o existan problemas en la medición de la distancia éste vuelve a la posición CALIBRATION. En los casos de error aparece en la pantalla el texto CHECK TRANSMITTER. Asegúrese de haber respetado las instrucciones sobre el uso del cinturón.

Si los límites de las áreas de velocidad le parecen adecuados, a continuación puede volver a usar la función PSC pulsando la tecla PSC (ON), ENTER y START y seleccionando el modo de entrenamiento. En el caso de querer cambiar los valores límite de las zonas de velocidad, repita los pasos del 1 al 3 y, al llegar a la fase de calibrado, sitúese en un punto de la cinta que le resulte más adecuado.

1. Seleccione el ejercicio Manual, Rolling Hills, un test de la condición física o el ejercicio de Pulso constante basado en la regulación del nivel de inclinación. En estos ejercicios puede controlar la velocidad de la cinta con la ayuda de la función PSC. La luz indicadora de PSC del velocímetro le indica que la función está activa. Los modelos T60 dispones de tres puntos de luz indicadora de PSC que le indican el área de velocidad en la que se encuentra. (liebre = el ritmo aumenta, - = ritmo constante, tortuga = el ritmo disminuye).
2. Empiece el ejercicio deseado pulsando la tecla START y controle la velocidad de la cinta desplazándose hacia delante o hacia atrás. No olvide que, también, puede usar las teclas reguladoras de velocidad (símbolos de la tortuga y de la liebre) durante la función PSC. **NOTA:** Si no conoce de antemano la función PSC se recomienda empezar el ejercicio con una velocidad baja.

SELECCIÓN DEL EJERCICIO

Pulse la tecla SELECT hasta que la lámpara del ejercicio deseado se encienda. Puede elegir:

1. El ejercicio manual durante el cual el usuario elige tanto la velocidad como el ángulo de la inclinación
2. El ejercicio HRC de pulso durante el cual la cinta regula la velocidad / inclinación de tal modo que el usuario está realizando el ejercicio según el nivel de pulso elegido de antemano; los perfiles de pulso requieren siempre el uso del cinturón de pulso.
3. Prueba para medir la condición física: la cinta ofrece dos posibilidades de test: una prueba de marcha de 2 km y una prueba de carrera Cooper de 12 minutos.
4. El perfil predeterminado durante el cual la velocidad / ángulo o nivel de pulso se alteran de la manera predeterminada.

EJERCICIO MANUAL

PUESTA EN MARCHA INSTANTÁNEA:

1. El ejercicio manual aparece como opción inicial de la cinta. Puede empezar el ejercicio pulsando la tecla START. La cinta se pone en marcha a la velocidad de 1,5 km por hora.

PUESTA EN MARCHA MEDIANTE CONFIGURACIÓN DEL USUARIO:

2. Si lo que desea es utilizar sus datos registrados o grabar su ejercicio, introduzca sus datos o seleccione un identificador de usuario (del 1 al 4). Para aceptar pulse START.
3. Pulse SELECT hasta que aparezca la luz indicadora al lado del texto MANUAL.
4. Pulse START y la cinta se pone en marcha a la velocidad de 1,5 km por hora. Puede regular la velocidad con la ayuda de las teclas "Liebre" / "Tortuga" y con PSC. Puede regular la inclinación con la ayuda de las teclas "arriba" / "abajo".
5. En la pantalla de perfil se acumulan cada minuto los datos sobre la velocidad del ejercicio. Tras 20 minutos los datos de la pantalla empiezan a moverse hacia la izquierda de tal modo que en la misma aparecen los datos de velocidad durante los últimos 20 minutos. Al presionar la tecla SELECT durante el ejercicio aparecerán en el contador el perfil de velocidad, inclinación y ritmo cardíaco.
6. Pulsando la tecla STOP una vez la cinta para y se queda durante 5 minutos en estado de espera. Durante este tiempo puede continuar el ejercicio anterior pulsando la tecla START. En estado de espera también es posible guardar el ejercicio en la memoria del contador (véase Función de memoria). Pulse dos veces la tecla STOP para finalizar el ejercicio. A continuación aparecerá en el campo de texto la información relativa al ejercicio realizado y el contador pasará al estado inicial.

EJERCICIOS DE RITMO CARDÍACO CONSTANTE

Los ejercicios de ritmo cardíaco constante permiten ejecutar ejercicios a un nivel de ritmo cardíaco deseado. Los ejercicios de ritmo cardíaco constante requieren el uso del cinturón de seguridad. Si la medición de pulso no funciona, en el campo textual aparece una información de error CHECK TRANSMITTER. Asegúrese que haya respetado las instrucciones sobre el uso del cinturón.

1. Si lo que desea es utilizar sus datos registrados o grabar su ejercicio, introduzca sus datos o seleccione un identificador de usuario (del 1 al 4). Para aceptar pulse START.
2. Pulse SELECT hasta que aparezca la luz indicadora al lado del texto HRC. Para aceptar pulse ENTER.
3. Utilice las teclas de flecha para seleccionar un modelo de control de ritmo cardíaco:
 - a) Inclinación = El mantenimiento de un pulso constante se basa en las modificaciones de los ángulos de inclinación de la base de correr. De este modo, usted debe ajustar la velocidad con los teclas liebre y tortuga.

En este modo de entrenamiento uno mismo controla la velocidad con la ayuda de función PSC o con las teclas liebre y tortuga.

b) Velocidad = La obtención de un pulso constante se basa en las modificaciones de las velocidades de la cinta. Si usted lo desea, usted puede cambiar la inclinación durante el entrenamiento.

c) Combinación = La obtención de un pulso constante se basa en que el aparato guía equitativamente el ángulo de inclinación de la base de correr al igual que la velocidad de la cinta.

4. Para aceptar pulse ENTER.

5. Instale el valor de ritmo cardíaco (80-180) deseado con las teclas de flecha.

6. Pulse la tecla START para comenzar el ejercicio.

Ud. puede ajustar el nivel de ritmo cardíaco durante el ejercicio con las teclas de flecha.

7. En la pantalla de perfil se acumulan cada minuto los datos sobre la velocidad del ejercicio. Tras 20 minutos los datos de la pantalla empiezan a moverse hacia la izquierda de tal modo que en la misma aparecen los datos de velocidad durante los últimos 20 minutos. Al presionar la tecla SELECT durante el ejercicio aparecerán en el contador el perfil de velocidad y inclinación.

8. Pulsando la tecla STOP una vez la cinta para y se queda durante 5 minutos en estado de espera. Durante este tiempo puede continuar el ejercicio anterior pulsando la tecla START. En estado de espera también es posible guardar el ejercicio en la memoria del contador (véase Función de memoria). Pulse dos veces la tecla STOP para finalizar el ejercicio. A continuación aparecerá en el campo de texto la información relativa al ejercicio realizado y el contador pasará al estado inicial.

PRUEBA PARA MEDIR

LA CONDICIÓN FÍSICA

La cinta andadora ofrece dos pruebas diferentes de condición física. La prueba de marcha de 2 km a ritmo rápido requiere un esfuerzo menor, en tanto que la prueba de carrera Cooper, que tiene una duración de 12 minutos, está más indicada para las personas que están en forma.

1. Pulse SELECT hasta que aparezca la luz indicadora al lado del texto TEST. Para aceptar pulse ENTER.

2. Pulse el botón SELECT para escoger la prueba de marcha de 2 km o la prueba de Cooper. Para aceptar pulse ENTER.

TEST DE CAMINATA DE LOS 2 KM

La prueba de marcha requiere el uso del pulsómetro. En la prueba de marcha, el nivel de forma física se calcula en base al ritmo cardíaco alcanzado durante el ejercicio y al tiempo utilizado en recorrer los 2 km. Previamente a la prueba se debe realizar un calentamiento de 3 minutos. También le recomendamos continuar caminando a baja velocidad después de la prueba para que su ritmo cardíaco retorne progresivamente a la situación normal. Basándose en los resultados, el

contador indica el consumo máximo de oxígeno.

INICIO DE LA PRUEBA DE MARCHA:

1. El campo de texto del contador pregunta la altura del usuario (HEIGHT): fije la altura mediante los botones de flecha. Confirme su configuración mediante el botón ENTER.

2. El campo de texto del contador pregunta el sexo del usuario (SEX): fije el sexo mediante los botones de flecha. Confirme su configuración mediante el botón ENTER.

3. El campo de texto del contador pregunta el peso del usuario (WEIGHT): fije el peso mediante los botones de flecha. Confirme su configuración mediante el botón ENTER.

4. El campo de texto del contador pregunta la edad del usuario (AGE): fije la edad mediante los botones de flecha. Confirme su configuración mediante el botón ENTER.

5. El campo de texto del contador le anuncia que puede empezar el calentamiento (WARM UP) de 3 minutos. Empiece el calentamiento pulsando START.

6. La inclinación de la superficie de carrera se autoregula a un 1 %, lo cual supone en esta prueba la simulación de la resistencia del aire. Regule la velocidad con ayuda de los botones de flecha. Recomendamos una velocidad de calentamiento algo superior al ritmo medio de marcha.

7. Durante el calentamiento el reloj realiza una cuenta atrás de 3 minutos. Cuando en el reloj aparece 0:00, el contador emite una señal acústica y la prueba de verdad empieza (TEST STARTED!).

REALIZACIÓN DE LA PRUEBA DE MARCHA:

1. El objetivo de la prueba es realizar lo más rápido posible un recorrido de 2 km. Usted mismo regula la velocidad con ayuda de los botones de flecha. ¡Recuerde que no se puede correr en esta prueba!

2. Si el pulsómetro no funciona, el campo de texto del contador anuncia CHECK TRANSMITTER. Asegúrese que haya respetado las instrucciones sobre el uso del cinturón.

3. Una vez completado el recorrido de 2 km, el contador emite una señal acústica. Un periodo de estado de espera de 5 minutos sigue automáticamente a la prueba, tras el cual la cinta se detendrá. En el campo de texto del contador aparecerá el resultado de la prueba en forma de capacidad máxima de consumo de oxígeno y una estimación de su nivel de condición física. Compare su resultado con la tabla anexa, en la que figuran las categorías de condición física de diferentes grupos de edad.

PRUEBA DE COOPER

En la prueba de Cooper el nivel de forma física se calcula en base a una carrera de 12 minutos: cuanto mayor sea la distancia que usted puede correr, mejor condición física tendrá usted. Previamente a la prueba se debe realizar un calentamiento de 3 minutos. También le recomendamos continuar caminando a baja velocidad después de la prueba para que su ritmo cardíaco retorne progresivamente a la situación normal. Basándose en los resultados, el contador indica el consumo máximo de oxígeno.

INICIO DE LA PRUEBA DE COOPER:

1. El campo de texto del contador le anuncia COOPER SELECTED. Para aceptar pulse ENTER.
2. El campo de texto del contador pregunta el sexo del usuario (SEX): fije el sexo mediante los botones de flecha. Confirme su configuración mediante el botón ENTER.
3. El campo de texto del contador pregunta la edad del usuario (AGE): fije la edad mediante los botones de flecha. Confirme su configuración mediante el botón ENTER.
4. El campo de texto del contador le anuncia que puede empezar el calentamiento (WARM UP) de 3 minutos. Empiece el calentamiento pulsando START.
5. La inclinación de la superficie de carrera se autoregula a un 1 %, lo cual supone en esta prueba la simulación de la resistencia del aire. Regule la velocidad con ayuda de los botones de flecha. Recomendamos una velocidad de calentamiento algo superior al ritmo medio de marcha.
6. Durante el calentamiento el reloj realiza una cuenta atrás de 3 minutos. Cuando en el reloj aparece 0:00, el contador emite una señal acústica y la prueba de verdad empieza (TEST STARTED!).

REALIZACIÓN DE LA PRUEBA DE COOPER:

1. El objetivo de la prueba es correr la mayor distancia posible en 12 minutos. En este modo de entrenamiento uno mismo controla la velocidad con la tecla SPEED

- o con las teclas liebre y tortuga. El campo de texto del contador indica constantemente durante la prueba el tiempo consumido.
2. El campo de texto del contador muestra una estimación de su resultado en la prueba basándose en la velocidad de marcha.
3. Una vez completado el recorrido de 2 km, el contador emite una señal acústica. Un periodo de estado de espera de 5 minutos sigue automáticamente a la prueba, tras el cual la cinta se detendrá. En el campo de texto del contador aparecerá el resultado de la prueba en forma de capacidad máxima de consumo de oxígeno y una estimación de su nivel de condición física. Compare su resultado con la tabla anexa, en la que figuran las categorías de condición física de diferentes grupos de edad.

PERFILES DE EJERCICIO

Para garantizar los ejercicios variados, agradables y exigentes, Tunturi ha desarrollado diferentes perfiles predeterminados. Durante el ejercicio se facilita, además, información detallada sobre el perfil elegido. El contador indica los cambios de perfil con una señal acústica. La pantalla de perfil indica las características del perfil y los datos del siguiente pilar de perfil. Si lo que desea es utilizar sus datos registrados o grabar su ejercicio, introduzca sus datos o seleccione un identificador de usuario (del 1 al 4).

A. Los perfiles combinados 1, 2 y 3 ofrecen diferentes niveles de exigencia y presentan valores prefijados de velocidad e inclinación. Podrá cambiar el grado de velocidad hasta el nivel que usted desee, así como prefijar la duración del ejercicio en forma de tiempo o distancia. Perfiles no requieren uso del cinturón de pulso, aunque éste le facilita una información adicional sobre la realización del ejercicio.

1. Pulse SELECT hasta que aparezca la luz indicadora del perfil deseado (1-3). Para aceptar pulse ENTER.
2. Introduzca la distancia y el tiempo del perfil. En la pantalla aparece el último valor introducido. Utilice la tecla SELECT para desplazarse de un valor prefijado a otro. Puede cambiarlo pulsando las teclas flecha (valores máximos de 10 minutos (10:00) a 3 horas (h3:00); las modificaciones se producen en intervalos de 5 minutos / 3 km - 42 km, modificaciones en intervalos de 1 km); las modificaciones se producen en intervalos de 1 km).
3. Pulse START; el ejercicio empieza y la cinta se pone en marcha. Puede alterar la velocidad de perfil con la ayuda de las teclas flecha en progresión de un 1 %. Si pulsa la tecla SELECT durante el ejercicio, el contador le mostrará el perfil de velocidad, ritmo cardíaco y inclinación alcanzado durante la sesión.
4. Pulsando la tecla STOP una vez la cinta para y se queda durante 5 minutos en estado

HOMBRES / CAPACIDAD MÁXIMA DE TOMA DE OXÍGENO (VO2MAX) 1 = MUY MALO - 7 = MUY BUENO							
EDAD	1	2	3	4	5	6	7
18-19	<33	33-38	39-44	45-51	52-57	58-63	>63
20-24	<32	32-37	38-43	44-50	51-56	57-62	>62
25-29	<31	31-35	36-42	43-48	49-53	54-59	>59
30-34	<29	29-34	35-40	41-45	46-51	52-56	>56
35-39	<28	28-32	33-38	39-43	44-48	49-54	>54
40-44	<26	26-31	32-35	36-41	42-46	47-51	>51
45-49	<25	25-29	30-34	35-39	40-43	44-48	>48
50-54	<24	24-27	28-32	33-36	37-41	42-46	>46
55-59	<22	22-26	27-30	31-34	35-39	40-43	>43
60-65	<21	21-24	25-28	29-32	33-36	37-40	>40
MUJERES / CAPACIDAD MÁXIMA DE TOMA DE OXÍGENO (VO2MAX) 1 = MUY MALO - 7 = MUY BUENO							
EDAD	1	2	3	4	5	6	7
18-19	<28	28-32	33-37	38-42	43-47	48-52	>52
20-24	<27	27-31	32-36	37-41	42-46	47-51	>51
25-29	<26	26-30	31-35	36-40	41-44	45-49	>49
30-34	<25	25-29	30-33	34-37	38-42	43-46	>46
35-39	<24	24-27	28-31	32-35	36-40	41-44	>44
40-44	<22	22-25	26-29	30-33	34-37	38-41	>41
45-49	<21	21-23	24-27	28-31	32-35	36-38	>38
50-54	<19	19-22	23-25	26-29	30-32	33-36	>36
55-59	<18	18-20	21-23	24-27	28-30	31-33	>33
60-65	<16	16-18	19-21	22-24	25-27	28-30	>30

de espera. Durante este tiempo puede continuar el ejercicio anterior pulsando la tecla START. En estado de espera también es posible guardar el ejercicio en la memoria del contador (véase Función de memoria). Pulse dos veces la tecla STOP para finalizar el ejercicio. A continuación aparecerá en el campo de texto la información relativa al ejercicio realizado y el contador pasará al estado inicial.

5. Un periodo de estado de espera sigue automáticamente el ejercicio, tras el cual la cinta se detendrá. Es posible guardar el ejercicio en la memoria del contador (véase Función de memoria).

B. Rolling Hills es un ejercicio con intervalos durante el cual podrá introducir la distancia o duración de una sesión flexible y en el que usted mismo podrá determinar la velocidad de la cinta. Al entrenar con Rolling Hills podrá regular su velocidad con ayuda de la función PSC. En el caso de no utilizar la función PSC, el perfil no requiere el uso del cinturón transmisor de pulso; no obstante, el cinturón transmisor le proporciona información adicional de interés acerca de su rendimiento.

1. Pulse SELECT hasta que aparezca la luz indicadora del perfil 4. Para aceptar pulse ENTER.

2. Introduzca la distancia y el tiempo del perfil. En la pantalla aparece el último valor introducido. Utilice la tecla SELECT para desplazarse de un valor prefijado a otro. Puede cambiarlo pulsando las teclas flecha (valores máximos de 10 minutos (10:00) a 3 horas (h3:00); las modificaciones se producen en intervalos de 5 minutos / 3 km – 42 km, modificaciones en intervalos de 1 km); las modificaciones se producen en intervalos de 1 km).

3. Pulse START; el ejercicio empieza y la cinta se pone en marcha. Puede alterar la velocidad de perfil con la ayuda de las teclas de control de la velocidad y PSC. Si pulsa la tecla SELECT durante el ejercicio, el contador le mostrará el perfil de inclinación y ritmo cardioaco alcanzado durante la sesión.

4. El perfil de inclinación puede ser ajustado haciendo uso de las teclas flecha.

5. Pulsando la tecla STOP una vez la cinta para y se queda durante 5 minutos en estado de espera. Durante este tiempo puede continuar el ejercicio anterior pulsando la tecla START. En estado de espera también es posible guardar el ejercicio en la memoria del contador (véase Función de memoria). Pulse dos veces la tecla STOP para finalizar el ejercicio. A continuación aparecerá en el campo de texto la información relativa al ejercicio realizado y el contador pasará al estado inicial.

6. Un periodo de estado de espera sigue automáticamente el ejercicio, tras el cual la cinta se detendrá. Es posible guardar el ejercicio en la memoria del contador (véase Función de memoria).

C. Perfiles HRC (5-8) son perfiles de pulso de dificultad variable, en los cuales el usuario puede elegir la duración del ejercicio. Los perfiles de ejercicios de ritmo cardíaco requieren el uso del cinturón de pulso. Si la medición de pulso no funciona, en la pantalla de texto aparece una indicación CHECK TRANSMITTER. Asegúrese de haber respetado las instrucciones sobre el uso del cinturón.

1. Pulse SELECT hasta que aparezca la luz indicadora del perfil deseado (5-8). Para aceptar pulse ENTER.

2. Utilice las teclas de flecha para seleccionar un modelo de control de ritmo cardíaco.

3. Introduzca la distancia y el tiempo del perfil. En la pantalla aparece el

último valor introducido. Utilice la tecla SELECT para desplazarse de un valor prefijado a otro. Puede cambiarlo pulsando las teclas flecha (valores máximos de 10 minutos (10:00) a 3 horas (h3:00); las modificaciones se producen en intervalos de 5 minutos / 3 km – 42 km, modificaciones en intervalos de 1 km); las modificaciones se producen en intervalos de 1 km).

4. Pulse START; el ejercicio empieza y la cinta se pone en marcha. Ud. puede ajustar el nivel de ritmo cardíaco durante el ejercicio con las teclas de flecha.

5. Pulsando la tecla STOP una vez la cinta para y se queda durante 5 minutos en estado de espera. Durante este tiempo puede continuar el ejercicio anterior pulsando la tecla START. En estado de espera también es posible guardar el ejercicio en la memoria del contador (véase Función de memoria). Pulse dos veces la tecla STOP para finalizar el ejercicio. A continuación aparecerá en el campo de texto la información relativa al ejercicio realizado y el contador pasará al estado inicial.

6. Un periodo de estado de espera sigue automáticamente el ejercicio, tras el cual la cinta se detendrá. Es posible guardar el ejercicio en la memoria del contador (véase Función de memoria).

PERFILES

(las figuras aparecen en el desplegable al fina de este manual)

PERFIL 1 (Hill Walk). Este perfil se basa en cambios regulares de pendiente y en un ritmo de marcha enérgico y constante; es apropiado para principiantes y aficionados a la marcha. Los valores preestablecidos incluyen una velocidad media de 5,2 km/h, una velocidad máxima de 5,8 km/h y una inclinación media del 2,7 %.

PERFIL 2 (Hill Jog). Este perfil se basa en cambios variables de pendiente y en un ritmo de trote ligero y constante; es apropiado para principiantes y para el mantenimiento de la forma física. Los valores preestablecidos incluyen una velocidad media de 6,9 km/h, una velocidad máxima de 7,2 km/h y una inclinación media del 1,9 %.

PERFIL 3 (Hill Run). Este perfil se basa en una pendiente reducida y constante y en un ritmo de carrera enérgico y de cambios regulares; es apropiado para los aficionados a la carrera. Los valores preestablecidos incluyen una velocidad media de 11,6 km/h, una velocidad máxima de 12,5 km/h y una inclinación media del 1,8 %.

PERFIL 4 (Rolling Hills). Perfil de recorrido: se puede introducir la distancia del perfil en kilómetros. Este perfil está pensado especialmente para el entrenamiento profesional, pero también puede aportar variedad a los ejercicios de mantenimiento. La distancia máxima del recorrido es de 42 km, la distancia prefijada, de 3 km, y

la regulación es posible a intervalos de 1 km. Los valores prefijados de inclinación permiten un entrenamiento con pendiente a intervalos, la inclinación media es del 2,4 %.

PERFIL 5 (Fatburner 1). Perfil de ritmo cardíaco de poca intensidad basado en el aumento y la disminución constantes del nivel de ritmo cardíaco; es apropiado para controlar el peso. Los valores preestablecidos incluyen un ritmo cardíaco medio de 114 y un ritmo máximo de 125.

PERFIL 6 (Fatburner 2). Perfil de ritmo cardíaco de intensidad media basado en el aumento y la disminución a intervalos del nivel de ritmo cardíaco; apropiado para el ejercicio de mantenimiento y el control de peso. Los valores preestablecidos incluyen un ritmo cardíaco medio de 122 y un ritmo máximo de 136.

PERFIL 7 (Cardio). Perfil de ritmo cardíaco de intensidad media basado en el aumento y la disminución constantes del nivel de ritmo cardíaco, en el que el pulso permanece sobre los 130-140 durante casi todo el entrenamiento; excelente para el ejercicio de mantenimiento. Los valores preestablecidos incluyen un ritmo cardíaco medio de 129 y un ritmo máximo de 145.

PERFIL 8 (Fit). Perfil de ritmo cardíaco de alta intensidad basado en el aumento y la disminución constantes del nivel de ritmo cardíaco, en el que el pulso permanece sobre los 135-145 durante casi todo el entrenamiento. Indicado para el ejercicio de mantenimiento de personas en buena forma y para desarrollar la condición física. Los valores preestablecidos incluyen un ritmo cardíaco medio de 133 y un ritmo máximo de 150.

FUNCIÓN DE MEMORIA

La función de memoria requiere la utilización de un identificador de usuario: el ejercicio quedará registrado bajo el identificador de usuario que haya seleccionado. Tiene la posibilidad de almacenar en la memoria del contador 5 ejercicios por identificador de usuario.

ALMACENADO DE SU PROPIO PERFIL:

1. Inmediatamente después de haber finalizado el perfil podrá guardar los perfiles predefinidos. Al pulsar una vez el botón STOP finalizará los ejercicios manuales y de HRC, y a continuación podrá guardar el ejercicio. Pase a la opción de guardado pulsando el botón MEM.
2. El campo de texto pregunta en qué posición de memoria va a guardar el ejercicio (SAVE AS OWN 1-5). Seleccione la posición de memoria deseada con los botones de flecha y confirme su selección pulsando el botón ENTER: el ejercicio se graba en esta posición de memoria.
3. Si todas las posiciones de memoria se encuentran ocupadas, reemplace alguno de los perfiles anteriores con el nuevo. En este caso, el campo de texto le pedirá confirmación (REPLACE OWN 1-5). Confirme su selección mediante el botón ENTER: el ejercicio se graba en esta posición de memoria.

4. El campo de texto del contador verifica que el ejercicio se ha guardado (SAVED AS OWN 1-5). El contador pasa automáticamente a la posición de arranque.

¡ATENCIÓN! En el perfil caben un máximo de 30 velocidades o cambios de inclinación. El perfil guardado debe durar un mínimo de 10 minutos.

UTILIZACIÓN DE SU PROPIO PERFIL:

1. Seleccione un identificador de usuario.
2. Pulse el botón MEM.
3. Presione el botón SELECT hasta que la señal luminosa del perfil deseado (O1-5 MEMORY) se encienda. Pulse ENTER para confirmar su selección. Con el botón SELECT escoja RERUN (uso del perfil sin cambios) o RACE (uso del perfil como base del modo competición).
4. Confirme su selección mediante el botón ENTER.
5. Active el perfil pulsando START.
6. Mediante la función RERUN podrá variar su perfil y grabarlo de nuevo con todos los cambios.

MODO COMPETICIÓN

Al seleccionar del menú de perfiles la opción RACE, podrá competir contra sus propios resultados anteriores. El objetivo es realizar el perfil de velocidad e inclinación a la velocidad más alta posible.

1. Active el perfil pulsando START.
2. Regule la velocidad de forma manual o con ayuda de la función PSC, de acuerdo con su estado físico del momento.
3. Durante el ejercicio la pantalla del contador informa sobre el transcurso del perfil y sobre los cambios por venir, así como sobre su situación en relación a los resultados guardados: el texto "YOU ARE x.xx BEHIND" indica el tiempo de retraso que lleva usted con respecto a los resultados guardados y el texto "YOU ARE x.xx AHEAD", por su parte, le indica el tiempo de ventaja que lleva con respecto a los resultados guardados.
4. Al finalizar el perfil la cinta se detiene automáticamente. Es posible guardar el ejercicio en la memoria del contador (véase Función de memoria).

MANTENIMIENTO

Para continuar usando el aparato de forma segura es necesario realizar revisiones regulares, así como inspecciones de cualquier posible desencadenante de averías (por ejemplo, el desgaste de las piezas). Compruebe una vez al año que los tornillos de sujeción y las roscas interiores están bien apretados. En el supuesto de que alguna pieza del aparato sufriera daños, ésta debería cambiarse inmediatamente. El aparato no deberá utilizarse si no se encuentra en perfecto estado de funcionamiento.

LIMPIEZA Y LUBRICACION

Quite el polvo de las superficies de la máquina, sobre todo de los manillares y del contador, con un paño o toalla húmedos. No use disolventes. Limpie con una aspiradora de boquilla fina todos los componentes de

la máquina (cinta, base de la cinta, raíles laterales, etc.). Para limpiar la parte inferior, levante la cinta rodante hasta su posición vertical.

NOTA: Mantenga también limpia la zona alrededor de la cinta. Al utilizar la misma se acumula polvo que puede causar errores en el funcionamiento.

La lubricación es una medida muy importante para el correcto mantenimiento de la cinta. Si a la máquina se le da un uso normal en casa (como máximo una hora de funcionamiento al día), la lubricación debería realizarse después de cada 300 horas de uso aproximadamente. El tiempo total de uso de la máquina se puede seguir fácilmente gracias al contador de valor total que lleva incorporado el contador común. Si al accionar la cinta se producen sacudidas, compruebe que el engrasado haya sido suficiente. Para ello, una vez parada la máquina, pase la mano por la placa de base, que se encuentra debajo de la cinta; si no se le engrasan los dedos ni nota la placa de base resbaladiza, lleve a cabo la lubricación siguiendo estos pasos:

1. Adjuntar el inyector al tubo del spray T-Lube.
2. Levante el borde de la cinta inmóvil.
3. Colocar el inyector entre la cinta y la placa de base aproximadamente a 20 cm de la parte delantera de la máquina.
4. Inyecte el lubricante a lo largo de toda la placa de base y lo más cerca posible del centro de la superficie de carrera. El contenido de un envase de aceite T-Lube basta para dos engrasados.
5. La máquina está preparada ya para el uso instantáneamente.

NOTA: Lubricar la placa de base sólo con T-Lube S de Tunturi. El aceite T-Lube S lo puede adquirir en su distribuidor de Tunturi.

NOTA: En el modelo T60F deberá tener en cuenta que, antes de colocar la superficie de carrera en posición de almacenaje, deberá utilizar la cinta un mínimo de cinco minutos después de haberla engrasado. De este modo evitará que gotee lubricante de la superficie de carrera.

AJUSTE DE LA CINTA RODANTE

Observe el movimiento de la cinta durante el ejercicio y lleve a cabo los siguientes ajuste siempre de inmediato al darse cuenta de la necesidad de hacerlo. La cinta debe rodar por el centro del armazón. Generalmente no tendrá que alinearla, siempre que:

- la máquina esté situada sobre una superficie horizontal y bien lisa y la cinta esté bien tensa;
- la cinta esté bien alineada.

Sin embargo se puede desplazar a un lado según sea el estilo de correr del usuario (p. ej., que cargue más peso sobre una pierna). La alineación de la cinta se hace girando los dos pernos que hay detrás de la máquina.

1. Encienda la máquina y aumente la velocidad de la cinta hasta 5 km/h.
2. Si la cinta se desplaza hacia la izquierda, gire el perno de ajuste de la izquierda $\frac{1}{4}$ de vuelta en el sentido de las

agujas del reloj y el perno de la derecha $\frac{1}{4}$ de vuelta en sentido contrario. No apriete más de $\frac{1}{4}$ de vuelta cada vez, pues basta con un giro muy pequeño. Si la cinta se desplaza hacia la derecha, gire el perno de ajuste de la derecha $\frac{1}{4}$ de vuelta en el sentido de las agujas del reloj y el perno de la izquierda $\frac{1}{4}$ de vuelta en sentido contrario.

3. Si ve que la cinta gira centrada, ya está hecho el ajuste. Si no, siga con el anterior procedimiento hasta que quede centrada. Si deja la cinta desplazada hacia un lado mucho tiempo, los bordes se rozarán y no girará correctamente. La garantía no cubre los daños causados en la cinta por falta de los ajustes necesarios.

AJUSTE DE LA TENSION DE LA CINTA

Si la cinta patina sobre los rodillos, hay que tensarla. Sin embargo, durante el uso normal tiene que estar lo menos tensa posible. La tensión de la cinta se ajusta girando los mismos pernos utilizados para alinearla.

1. Poner en marcha la cinta a 5 km/h.
2. Gire los dos tornillos de ajuste en el sentido de las agujas del reloj aproximadamente $\frac{1}{4}$ de vuelta cada uno.
3. Trate de frenar la cinta poniéndose encima, sujetándose al manillar con las dos manos y parándola con los pies (como si estuviera bajando una cuesta).

Si la cinta resbala, gire otra vez los pernos $\frac{1}{4}$ de vuelta y repita el procedimiento. Si intenta frenar muy fuerte, la cinta resbalará. Si la cinta sigue resbalando a pesar de los ajustes, contacte con el distribuidor del equipo.

DEFECTOS DE FUNCIONAMIENTO

Pese al continuo control de calidad que realizamos, el equipo puede presentar defectos o malfuncionamientos debidos a fallos en componentes individuales. En la mayoría de los casos no es necesario llevar todo el equipo a reparar, y generalmente es suficiente con reemplazar la parte defectuosa. En el reverso de esta guía encontrará la lista de piezas. Utilice sólo piezas de repuesto mencionadas en la lista de piezas de repuesto.

Si el equipo no funciona correctamente durante su uso, tome contacto inmediatamente con su proveedor Tunturi, informando el modelo y el número de serie del equipo.

En el caso que se produzcan funciones anormales en el equipo coloque el interruptor en la posición O y espere aproximadamente un minuto. Vuelva a poner en marcha la cinta para comprobar que el aparato ya funciona adecuadamente. En este caso puede seguir utilizando el equipo. Si el problema persiste, póngase en contacto con el distribuidor del equipo.

CÓDIGOS DE ERROR

La interfaz informa de los fallos detectados indicándolos en la pantalla.

SYSTEM CHECK FAILED - Posible avería del mecanismo de accionamiento por motor. Apague la cinta andadora mediante el interruptor maestro, espere un minuto y vuelva a encenderla. Si el mensaje de

error ha desaparecido, podrá utilizar el aparato con normalidad. En el caso de que el mensaje de error no hubiera desaparecido, debería ponerse en contacto con el vendedor del producto.

SPEED SENSOR ERROR - Avería en el sensor de velocidad. Debería ponerse en contacto con el vendedor del producto.

MOTOR SPEED ERROR - Defecto de funcionamiento en el dispositivo regulador de velocidad de la cinta. Asegúrese de que está utilizando el aparato correctamente: no arrastre las piernas sobre la cinta. Apague la cinta andadora mediante el interruptor maestro, espere un minuto y vuelva a encenderla. Si el mensaje de error ha desaparecido, podrá utilizar el aparato con normalidad. En el caso de que el mensaje de error no hubiera desaparecido, debería ponerse en contacto con el vendedor del producto.

MOTOR OVERLOAD - Sobrecarga del motor. Asegúrese de que está utilizando el aparato correctamente: no frene la cinta. Apague la cinta andadora mediante el interruptor maestro, espere un minuto y vuelva a encenderla. Si el mensaje de error ha desaparecido, podrá utilizar el aparato con normalidad. Asegúrese de que la cinta está suficientemente lubricada; si fuera necesario, proceda a lubricar el aparato. En el caso de que el mensaje de error no hubiera desaparecido, debería ponerse en contacto con el vendedor del producto.

LIFT MOTOR ERROR - Avería en el motor de sustentación. Debería ponerse en contacto con el vendedor del producto.

LIFT MOTOR OVERLOAD - Sobrecarga del motor de sustentación. Asegúrese de que está utilizando el aparato correctamente: no sobrecargue el motor de sustentación con variaciones continuadas en la regulación de la pедiente. Apague la cinta andadora mediante el interruptor maestro, espere un minuto y vuelva a encenderla. El motor de sustentación se calibra automáticamente al encender el interruptor de funcionamiento. Si el mensaje de error ha desaparecido, podrá utilizar el aparato con normalidad. En el caso de que el mensaje de error no hubiera desaparecido, debería ponerse en contacto con el vendedor del producto.

CÓDIGO DEL MANTENIMIENTO

CHECK LUBRICATION. Asegúrese de que la cinta está suficientemente lubricada; si fuera necesario, proceda a lubricar el aparato. Para borrar el código, pulse la tecla ENTER dos veces.

TRASLADO Y ALMACENAJE

Ud. puede levantar la cinta di T60F hasta una posición vertical para que ocupe menos espacio. Antes de levantar la superficie de carrera a la posición de almacenaje, espere siempre a que la cinta se haya detenido totalmente. Desconecte el interruptor y desenchufe el cable de alimentación de la cinta andadora y de la alimentación de corriente. Agarre la parte trasera de la superficie de carrera y levántela hasta que el resorte a

gas se bloquee. **NOTA:** Cuando la superficie de carrera se encuentre en posición de almacenaje, nunca deje que se aguante únicamente gracias a los resortes a gas. La máquina se levanta automáticamente hasta la posición de almacenaje apoyándose sobre las ruedas de transporte. Traslade el aparato empujándolo sobre las ruedas de transporte. Podrá abrir los resortes a gas bloqueados presionando el resorte a gas ligeramente con la pierna sobre el punto de bloqueo marcado con un adhesivo y empujando la superficie de carrera hacia abajo. Deposite la superficie de carrera sobre el suelo con cuidado.

NOTA: Para transportar la máquina a través de superficies irregulares o escaleras, extreme la precaución: la máquina debe ser transportada en vilo (no usar las ruedas). Es una buena idea colocar la máquina sobre una base protectora. Al desplazar el aparato se pueden producir daños en algunos suelos, por ejemplo, en el parquet. Por esta razón el suelo deberá protegerse. Después de mover la máquina puede que tenga que alinear y centrar la cinta.

Para mantener la máquina en perfecto estado de funcionamiento guárdela en un lugar seco donde la temperatura no varíe mucho. Protégala del polvo. Mantenga la máquina siempre desenchufada de la corriente cuando no la use.

DATOS TÉCNICOS

Longitud	202 cm
(posición de almacenaje	115 cm)
Altura	138 cm
(posición de almacenaje	175 cm)
Anchura	94 cm
Peso.....	105 kg
La cinta rodante	51 x 138 cm
Velocidad	0,5-16,0 km/h
Grados de inclinación	0-10 %
Motor	2,0HP (1,49 KW)

Todos los modelos Tunturi cumplen la directiva de la UE sobre compatibilidad electromagnética, EMC (EN 61000-6-1, EN 61000-6-3, 61000-3-3) y equipo eléctrico diseñado para su uso dentro de ciertos límites de tensión (EN 60335-1). Por lo tanto, este producto viene provisto con la etiqueta CE. La Tunturi T60F cumple con las normas CEN de precisión y seguridad (Class HA, EN-957, 1+6).

Debido a nuestro continuo programa de desarrollo del producto, nos reservamos el derecho a cambiar sus especificaciones sin previo aviso.

NOTA: La garantía no cubre daños debidos a negligencias en los procedimientos de montaje, ajuste y mantenimiento descritos en esta guía. Deben seguirse estrictamente estas instrucciones en el montaje, uso y mantenimiento de su equipo. Los usuarios no están autorizados a realizar cambios o modificaciones que no hayan sido expresamente aprobados por Tunturi Oy Ltd.

Le deseamos muchas agradables sesiones de entrenamiento con su nuevo compañero de ejercicio Tunturi.

INNEHÅLL

ANMÄRKNINGAR OCH VARNINGAR.....	76
MONTERING.....	76
ALLMÄNT OM TRÄNING	77
PULS	78
MÄTARE	79
INSTÄLLNING AV ANVÄNDARUPPGIFTER	79
POSITION SPEED CONTROL (PSC).....	80
VAL AV TRÄNING.....	81
MANUAL-TRÄNING	81
PULSSTYRD TRÄNING.....	81
KONDITIONSTEST	81
TRÄNINGSPROFILER	82
MINNESFUNKTION	84
SERVICE	84
TRANSPORT OCH FÖRVARING	86
TEKNISKA DATA.....	86

ANMÄRKNINGAR OCH VARNINGAR

Denna handbok är en väsentlig del av ditt träningsredskap. Börja bekanta dig med redskapet genom att först läsa igenom den här handboken. Den innehåller den information du behöver för att kunna montera, använda och underhålla ditt nya redskap. Spara denna handbok, för du kan behöva instruktionerna senare. Följ alltid dessa instruktioner noggrant.

- Löpbandet får endast anslutas till jordat uttag. Använd inga skarvsladdar när löpbandet ansluts till nätet. Den maximala strömförbrukningen är 10 A. Variationer i nätspänningen på mer än 10 % kan leda till felfunktioner och skada elektroniken. Garantin upphör att gälla om redskapet ansluts i strid med instruktionerna i denna bruksanvisning.
- Redskapets nätkabel är försedd med jordad kontakt och stickdosa. Eventuella ändringar får endast utföras av person, som har kvalifikation att serva elmekaniska redskap enligt de bestämmelser som gäller i respektive land.
- Konsultera din läkare för att kolla upp din hälsa innan du börjar träna.
- Utför endast de service- och justeringsåtgärder, som nämns i denna bruksanvisning. Givna anvisningar bör följas. Försäkra dig alltid om att stickproppen är urdragen innan du börjar montera eller göra underhåll på redskapet.
- Redskapet får inte användas utomhus. Redskapet tål vid träning en omgivning från +10°C till +35°C. Luftfuktigheten får aldrig överskrida 90 %.
- Redskapet får inte användas av personer som väger mer än 135 kg.
- Redskapet får användas hemma. Redskapets garanti gäller fel eller brister som uppkommer vid användning i hemmet (24 månader). Observera att garantin inte täcker skador uppkomna genom försumlighet av inställningen och justeringar eller underlåtenhet att följa givna anvisningarna.

VÄLKOMMEN TILL TUNTURIS TRÄNINGSVÄRLD!

Ditt val visar att du verkligen vill investera i din kondition och ditt välbefinnande; det visar också

att du verkligen värdesätter hög kvalitet och stil. Med ett träningsredskap från Tunturi har du valt en säker och motiverande produkt av hög kvalitet till träningspartner. Oberoende av vilken målsättning du har, är vi säkra på att det här är den rätta utrustningen för att du skall nå ditt mål. Du kan hitta information om hur du ska använda ditt träningsredskap och hur man tränar effektivt på Tunturis webbplats på adressen WWW.TUNTURI.COM.

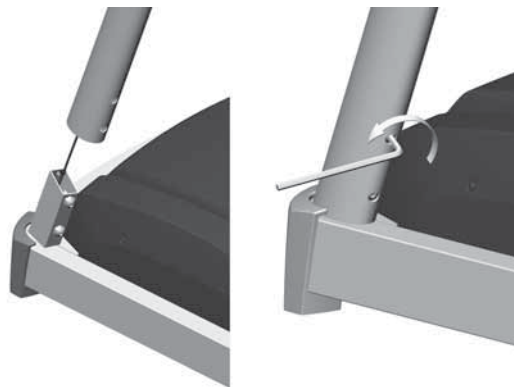
MONTERING

Börja med att packa upp och kolla att du har följande delar:

1. Ram
2. Stolpar
3. Tvärgående handtaget
4. Mätare
5. Elsladd
6. Monteringsstillbehör (innehållet med * i reservdelstapan): spara tillbehören, för du kan behöva dem bl.a. till att göra inställningar på redskapet.

Riktningarna vänster, höger, fram och bak används så som man uppfattar dem när man sitter i träningsställning. Vid problem, kontakta försäljaren. I förpackningen finns det även en silikatpåse som absorberar fukt under lagring och transport. Släng påsen när du packat upp redskapet. För montering behövs två personer. Montera ihop ditt träningsredskap enligt följande:

STOLPAR



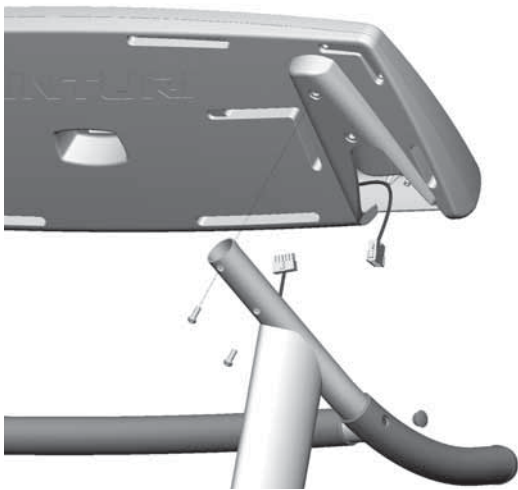
VIKTIGT! Fästskruvar finns redan på plats, lossa ej dessa! Observera att det löper en kabel genom det främre vänstra handstödet, var försiktig så inte kabeln lossar och trillar ned! Placera stolparna på var sin sida på den ramen: drag samtidigt upp kabeln i det vänstra handstödet så att den inte kläms fast mellan handstödet och ramen. Dra inte åt skruvarna innan du satt fast handtaget och mätaren.

TVÄRGÅENDE HANDTAGET



Placera det tvärgående handtaget mellan de främre handstöden så att böjningen på handtaget är framåt. Fäst det tvärgående handtaget på bägge sidor med sexkantsskruvar. För att underlätta fästningen kan man sätta fästskruven på sexkantsnyckeln innan den sätts i genomgångshålet.

MÄTAREN



Fäst kabeln från det vänstra handstödet med mätarkabelns kopplingsstycke och tryck sedan in kabeln i handstödet. Tryck fast mätaren mot framkant av handstödet och fäst från baksidan med fyra sexkantsskruvar. Vid behov kan det hjälpa att lossa lite på det tvärgående handtaget: lossa dock inte handtaget i den ändan där den svarta gummimuttern sitter.

Drag nu åt handstödens fästskruvar: använd den bifogade sexkantnyckeln till att dra åt fästskruvarna genom hålen i stolparna. **VIKTIGT!** Drag åt fästskruvarna motsols! Undvik att dra åt för mycket. Sätt sedan skyddspluggarna av plast i respektive hål i handtaget. Tag bort skyddsfilmerna på mätaren. För att underlätta fastdragningen kan man försiktigt trycka det främre handstödet framåt vid åtdragning av skruvarna.

SÄKERHETSNYCKEL

Löpbandet och mätaren fungerar bara om säkerhetsnyckeln sitter i låset; bandet stannar automatiskt om nyckeln inte är på sin plats i låset. Se till att säkerhetsnyckeln är ordentligt i sin plats samt fäst vid kläderna; när bandet spänns får hållaren aldrig lossna

från kläderna, utan säkerhetsnyckeln ska dras ur låset.

ELKABEL

Anslut nätkabelns kontakt till stickdosan som finns bredvid strömbrytaren i löpbandets framända. Kontrollera att nätspänningen överensstämmer med den spänning som finns angiven på löpbandets typplatta innan bandet ansluts till elnätet. Koppla på strömmen till löpmattan med strömbrytaren bredvid stickkontakten. **OBS!** Redskapet bör kopplas till ett jordat vägguttag. Använd inga skarvsladdar när du kopplar redskapet till nätet.

ALLMÄNT OM TRÄNING

Innan du börjar träna är det viktigt att du bekantar dig med hur det motordrivna löpbandet fungerar och hur du använder det.

Träning med en löpband är en utmärkt aerobisk motion. Grundidén är att motionen skall vara förhållandevis lätt, men räckta länge. Aerobisk motion bygger på en förbättring av den maximala syreupptagningsförmågan, som förbättrar uphålligheten och konditionen. Kroppens förmåga att använda fett som bränsle är direkt beroende av dess förmåga att transportera syre.

Aerobisk träning ska framför allt vara behagligt. Du ska bli svettig men pulsen ska inte bli skyhögt. Detta gör att du kan träna längre. Den rekommenderade träningsmängden är 30–60 minuter 3 gånger i veckan beroende på din kondition och målsättning samt dina träningsmöjligheter.

Om du vill gångträna kan du variera och göra träningen mer krävande genom att justera löpunderlagets vinkel. Du kan också göra gångträningen mångsidigare genom att samtidigt träna armmuskulerna med hantlar. Tag då i beaktande balans och andra säkerhetsfaktorer.

ANGÅENDE TRÄNINGSMILJÖN

- Placera redskapet på ett stadigt, plant underlag. Placera redskapet på ett så jämnt underlag som möjligt och så att du har ett fritt utrymme på minst 100 cm framför och på sidorna av och minst 200 cm bakom redskapet. Kontrollera även att inga barn eller husdjur kommer in på denna yta då apparaten är igång.
- Vi rekommenderar att redskapet placeras på ett underlag som skyddar golvet.
- Försäkra dig om att träningsutrymmet har god ventilation. Undvik dock att träna i dragiga utrymmen, eftersom det kan ge dig en förkylning.

ANGÅENDE TRÄNINGEN

- Koppla alltid av strömmen efter varje träningspass.
- Föräldrar och andra med ansvar för barn bör beakta att barns naturliga nyfikenhet och lekfullhet kan leda till situationer och handlingar som redskapet inte är tänkt för. Om barn tillåts använda träningsredskapet bör de övervakas och läras hur man använder det. Man bör då beakta barnens psykiska och fysiska utveckling och deras personlighet.
- Redskapet får användas av endast en person åt gången.

- Lämna aldrig mattan obevakad då den rullar.
- Håll händerna tillräckligt långt från rörliga delar.
- Använd lämpliga kläder och skor när du tränar.
- Innan du börjar använda redskapet, försäkra dig om att det på alla sätt fungerar som det skall. Använd inte redskapet om det har något fel.
- Använd inte redskapet innan alla kåpor och skydd är på plats.

BÖRJA TRÄNINGSPASS

- Värm upp före träningspasset och avsluta med avslappningsövningar och stretching för att undvika träningsvärk.
- Stå grenstående på löpbandets sidoplåtar. Stå inte på själva bandet när du startar redskapet.
- Börja träningen i ett lågt tempo och öka tempot och/eller vinkeln på löpbandet successivt med hänsyn till din kondition.
- Håll rygg och nacke rak, så undviker du att bli stel eller få ont i nacke, skuldror och rygg. Löp alltid mitt på bandet och håll avståndet till displayen så att du lätt når den utan att din löpning störs.
- Fatta alltid tag i handstödet när du stiger på eller av löpbandet och alltid när du ändrar bandets hastighet mitt under pågående träning. Hoppa aldrig av ett roterande löpband!
- Om du känner dig illamående, får svindel eller uppvisar andra onormala symtom under träningen, skall du omedelbart avbryta träningen och vända dig till din läkare.
- Om det uppkommer fel på redskapet under ett träningspass, ta tag i handtagen och ställ dig omedelbart gränse över löpbandet genom att stå på sidokåporna. Stäng av löpbandet och läs under "Störningar vid användning" i bruksanvisningen.

AVSLUTA TRÄNINGSPASS

- Avsluta aldrig ett träningspass tvärt, utan minska tempot successivt och glöm inte att stretcha efter passet.
- Tag alltid bort säkerhetsnyckeln när du avslutar din träning.
- Koppla bort strömmen med strömbrytaren i löpbandets framända.
- Drag ut nätkabeln ur vägguttaget och stickdosan i löpbandet.
- Torka vid behov bort svett med en fuktig duk. Använd inga lösningsmedel!
- Förvara kabeln på ett säkert ställe utom räckhåll för barn.

PULS

Oberoende av vilken din målsättning är när du bästa resultat genom att träna på rätt ansträngningsnivå och det bästa måttet på det är din puls. Trådlös pulsmätning, där elektroderna i en sändare på bröstkorgen överför hjärtats slag med hjälp av ett elektromagnetiskt fält till mätaren, har visat sig vara det tillförlitligaste sättet att mäta pulsen.

VIKTIGT! I det fall du använder pacemaker – hör med din läkare om du kan använda trådlös pulsmätning.

För trådlös mätning av pulsen under träningen, skall du noggrant fukta de räfflade elektroderna i elektrodbältet med vatten eller saliv. Om du använder pulssändaren ovanpå skjortan, skall skjortan fuktas under elektroderna. Spänn det elastiska bältet med sändaren kring bröstet under bröstmusklerna, så att elektroderna hela tiden har hudkontakt under träningen. Bältet får dock inte vara så spänt att andningen försvaras. Pulsvärdet från pulssändaren överförs automatiskt till mottagaren upp till ett avstånd på 1 m.

Om elektrodytorna inte är fuktiga, visar mätaren inget pulsvärde. Elektroderna skall då fuktas på nytt. Tänk också på att elektroderna skall värmas upp på huden till kroppstemperatur för att ge tillförlitliga resultat. Om det finns flera apparater för trådlös pulsmätning bredvid varandra, skall avståndet mellan dem vara minst 1,5 m. Om det bara finns en mottagare, men flera sändare, får endast en person med sändare befinna sig inom räckvidd för mottagaren under mätningen. När du tar av dig elektrodbältet, kopplas sändaren bort. Fukt kan dock hålla sändaren aktiverad, vilket förkortar batteriets livslängd. Därför är det viktigt att sändaren omsorgsfullt torkas av efter varje användning.

Observera när du väljer kläder att vissa fibrer i tyget (t.ex. polyester, polyamid) genererar statisk elektricitet och kan därför hindra en tillförlitlig pulsmätning. Observera att mobiltelefoner, tv-apparater och andra elektriska anordningar genererar ett elektromagnetiskt fält omkring sig och kan därför ge upphov till problem i pulsmätningen.

Ta först reda på din maximipuls, dvs. på vilken nivå pulsen inte längre stiger trots att ansträngningen höjs. Om du inte känner till din maximipuls, kan du använda följande formler som riktgivare:

208 – 0,7 X ÅLDERN

Maximipulsen varierar från person till person. Om du hör till någon riskgrupp, be en läkare mäta din maximipuls åt dig. Vi har definierat tre olika pulsområden för att hjälpa dig när du sätter upp mål för träningen.

NYBÖRJARE: 50-60 % av maximipulsen

Denna nivå lämpar sig också för viktvaktare, rehabiliteringspatienter och personer som inte har tränat på länge. Tre träningspass i veckan på minst en halvtimme var rekommenderas. Regelbunden träning förbättrar andnings- och cirkulationskapaciteten hos nybörjare betydligt och du kommer snabbt att märka förbättringen.

MOTIONÄR: 60-70 % av maximipulsen

Denna nivå är perfekt för att förbättra och upprätthålla konditionen. Även en måttlig ansträngning utvecklar hjärtat och lungorna effektivt, om du tränar i minst 30 minuter åtminstone tre gånger i veckan. För att ytterligare förbättra din kondition, höj antingen träningsfrekvensen eller ansträngningen, men inte båda på samma gång!

AKTIV IDROTTARE: 70-80 % av maximipulsen

Träning på denna nivå lämpar sig bara för personer med mycket bra kondition och bör föregås av träning för lång uthållighet.

MÄTARE

FUNKTIONSTANGENTER

START

Starta träningen.

HASTIGHETSTANGENTER (HARE / SKÖLDPADDA)

Nedanför bildskärmen hittar du tangenter för reglering av hastigheten (Hare/Sköldpadda) för stegvis höjning av hastigheten med 0,1 km/h intervaller (Hare) och minskning (Sköldpadda). Om du håller tangenten intryckt börjar värdena ändras snabbare. Hastigheten på löpmattan kan justeras över intervallet 0,5-16,0 km/h.

LUTNINGSTANGENTER

Genom att trycka på tangenten "uppåt" höjer du lutningen på löpunderlaget i steg om 0,5 %, genom att trycka på tangenten "neråt" sänker du lutningen i steg om 0,5 %. Om du håller tangenten intryckt förändras inställningen snabbare. Lutningen kan justeras i intervallet 0-10 %.

PILTANGENTER

I träningsprogrammen kan du byta ansträngningsnivå genom att skala om programmet med samma tangenter, i pulsstyrd träning kan du byta pulsivån. Genom att trycka på tangenten "upp" höjer du ansträngningsnivån genom att trycka på tangenten "ner" sänker du däremot ansträngningsnivån.

STOP / PAUSE / RESET

Tryck på STOP om du vill avbryta träningen. Om du trycker en gång på STOP stannar löpmattan och går över till stand by-läge i 5 minuter (PAUSE). Du kan återuppta den träning du avbröt genom att trycka på START inom 5 minuter. Tryck på STOP en gång till om du vill avbryta träningen. Om du håller STOP intryckt i 2 sekunder nollställer du mätaren, varefter den går till startläget.

SELECT

Innan du trycker på START kan du välja träningsform med SELECT. När du har startat träningen, kan du välja profildisplayen med SELECT.

ENTER

Bekräfta ditt val (träningsform eller -program, användarinställningar).

MEMORY

Tryck på MEM efter träningen för att spara ett träningsprogram. För att kunna spara uppgifterna krävs att du har valt ett användarnamn. Under varje användarnamn finns 5 platser för att lagra information i.

PSC

När du använder PSC-funktionen kan du reglera löpbandets hastighet beroende på var på bandet du

springer. PSC-funktionen förutsätter att du använder pulsbalte. Du kan använda PSC-funktionen när du tränar manuellt, när du använder lutningsprofilen HRC, Rolling Hills-profilen, samt med de båda konditionstesterna.

SET

Tryck på SET för att välja användarnamn, mata in användaruppgifter, välja måttenheter, samt för att kontrollera redskapets totaltid och -distans.

T-WARE PROGRAMVARA

Detta redskap är kompatibelt med T-Ware programvaran för konditionstestning och uppföljning som Tunturi utvecklat. Du kan hitta mera information om T-Ware på Tunturis webbplats på adressen WWW.TUNTURI.COM.

VISNING PÅ SKÄRMEN

HEART RATE

Uppmätt puls, 45-220 bpm. Pulssignalen blinkar alltid när mätaren mottar en pulssignal.

KCAL

Uppskattad energiförbrukning (0-9999 kcal) i steg om 1 kcal.

ELEVATION

Lutningsvinkeln 0-10 % i steg om 0,5 %.

TIME

Träningstiden visas med en sekunds noggrannhet upp till en timme (00:00-99:59), därefter med en minuts noggrannhet (h1:40-h9:59).

DISTANCE

Den sträcka du har tillryggalagt i kilometer (0,00-99,99 km) i steg om 0,01 km.

SPEED

Löpbandets hastighet i kilometer per timme (0,5-16,0 km/h) i steg om 0,1 km/h. Lampan visar vald enhet (km/h, mph, pace = minuter/kilometer).

GRAFIK/TEXTVISNING

T60F-modellen har en kombinerad engelskspråkig text- och profildisplay, som vägleder dig igenom hela träningspasset.

INSTÄLLNING AV

ANVÄNDARUPPGIFTER

Vi rekommenderar att du väljer ett användarnamn där du sparar dina personuppgifter. Uppgifterna används bl.a. till att uppskatta kaloriförbrukningen. Samtidigt kan du ställa in vilken enhet du vill använda, samt kontrollera redskapets totaltid och -distans. Genom att välja ett användarnamn kan du spara träningsprogrammet efter träningen.

1. Tryck på SET. Välj användarnamn (1-4) med piltangenterna. Bekräfta inställningen genom att trycka på ENTER. OBS! Redskapets grundinställningar finns

- under "NO USER" och där hittar du information om redskapets totaltid och -distans.
2. Ställ in måttenheter (Metric = metersystemet, Imperial = engelska måttenheter); ändra inställningen med piltangenterna, bekräfta inställt värde med ENTER så kommer du vidare till nästa inställning.
 3. Mata in din vikt. Ändra inställningen med piltangenterna och bekräfta inställt värde med ENTER så kommer du vidare till nästa inställning; informationen behövs för uppskattning av energiförbrukningen.
 4. Ställ in kön (Male = man, Female = kvinna); ändra inställningen med piltangenterna och bekräfta inställt värde med ENTER så kommer du vidare till nästa inställning; informationen behövs för uppskattning av energiförbrukningen.
 5. Ställ in användarens ålder; ändra inställningen med piltangenterna, bekräfta inställt värde med ENTER så kommer du vidare till nästa inställning; informationen behövs för uppskattning av energiförbrukningen.
 6. Ställ in ljudsignalen (ON = signalen är påkopplad, OFF = signalen är avkopplad); ändra inställningen med piltangenterna, bekräfta inställt värde med ENTER så kommer du vidare till nästa inställning. En ljudsignal meddelar på förhand om förändring i träningsprofilen.
 7. Ställ in måttenhet (km/h, min/km, mph, min/engelskt mil). Ändra inställningen med piltangenterna, bekräfta inställt värde med ENTER så kommer du vidare till nästa inställning. **VIKTIGT!** Enhetsval kan göras under träningsgången; tryck på SET en gång och ändra inställningen med piltangenterna, bekräfta inställt värde med ENTER så kommer du tillbaka till träningen.
 8. Ställ in löpbandets topphastighet med piltangenterna för PSC-träningen och den pulsbaserade träningen. I dessa träningsprofiler regleras hastigheten av din puls. Om en övre gräns inte ställs in, kan hastigheten bli för hög. Den förinställda maxhastigheten är 12 km/h. Ändra inställningen med piltangenterna, bekräfta inställt värde med ENTER så kommer du vidare till nästa inställning.
 9. Under TOTAL TIME visas den använda totaltiden för varje användare. Du kommer vidare till nästa inställning med ENTER.
 10. Under TOTAL DISTANCE visas den använda totaldistansen för varje användare. Tryck på ENTER så kommer du tillbaka till inställning av användaruppgifter. Avsluta användarinställningarna med START.

Efter att du har matat in dina användaruppgifter kan du använda dig av dem genom att logga in med ditt användarnamn när du påbörjar ett träningspass. Användarnamnet finns kvar i minnet tills ett nytt namn väljs, säkerhetsnyckeln tas loss eller elkabeln dras ur kontakten.

POSITION SPEED CONTROL (PSC)

Position Speed Control (PSC) låter dig justera bandhastigheten genom att ändra position på mattan. Bandhastigheten stiger när du ställer dig på den främre delen av mattan, sjunker när du ställer dig på den bakre delen och hålls oförändrad när du står på den mellersta delen av mattan.

OBS! PSC förutsätter att du använder Polar T41-pulsbälte! Som tecken på att pulsmätningen fungerar ser du en blinkande kvadrat i teckenrutan Heart Rate.

OBS! Fäst hållaren till säkerhetsnyckeln ordentligt vid dina kläder. Justera trådens längd så att säkerhetsnyckeln lossnar ur mätaren om du kommer för långt bak.

OBS! Om du tränar med PSC, får det inte finnas någon annan pulssändare i närheten (på minst 2 m avstånd); samtidiga signaler från två olika sändare äventyrar användarsäkerheten genom att de stör styrningen i PSC!

INSTÄLLNING AV PSC-FUNKTIONEN BÖR GÖRAS DÅ LÖPBANDET STÅR STILL.

1. Börja med att ställa in gränserna för hastighetsområdet när du vill använda PSC. Tryck på tangenten PSC på mätaren.
2. Beroende på de senast gjorda inställningarna, kommer texten PSC ON (funktionen i bruk) eller texten PSC OFF (funktionen ur bruk) upp på displayen. Ställ in PSC ON med piltangenterna och tryck på ENTER.
3. På displayen visas nu texten PRESS ENTER TO CALIBRATE PSC OR START TO EXIT (tryck på ENTER för att komma till PSC-funktionen eller på START för att lämna meny). Ställ dig mitt på löpbandet. Ungefär 10 cm framför mätpunkten ökar farten och ungefär 20 cm bakom mätpunkten minskar farten. Tryck på ENTER, på displayen visas nu texten PLEASE WAIT 8. Mätaren mäter upp avståndet med hjälp av pulssignalen. När mätningen på 8 sekunder är klar, kommer texten CALIBRATION READY PRESS START (inställning klar, tryck på START för att börja träningen).
4. Om mätaren inte tar emot någon pulssignal eller om det blir problem i avståndsmätningen, återgår mätaren till CALIBRATION. Vid sådana störningar visas texten CHECK TRANSMITTER i teckenrutan. Kontrollera då att du har följt instruktionerna för pulsbelte.

Om du tycker att gränserna för hastighetsintervallen är lämpliga, kan du i fortsättningen starta PSC bara genom att välja PSC ON, trycka på ENTER, START och välja önskad träningsform. Om du vill ändra på gränserna för hastighetsintervallen, upprepa faserna 1-3 och ställ dig under mätningssfasen på ett ställe av löpbandet som passar dig bättre.

1. Välj träningsformen Manual, Rolling Hills, konditionstest eller träning med konstant puls baserad på justering av lutningen. I dessa kan du styra bandhastigheten med hjälp av PSC. Att PSC aktiverats visas genom att PSC-indikatorn på mätaren lyser. Mätaren har tre PSC-indikatorer, som visar i vilket hastighetsområde du befinner dig (haren = farten ökar, - = konstant fart, sköldpaddan = farten minskar).
2. Starta vald träningsform genom att trycka på START och justera bandhastigheten genom att flytta dig bakåt eller framåt på mattan. Observera att även tangenterna för hastighetsjustering (sköldpaddan och haren) fungerar när PSC är påkopplat. **OBS!** Om PSC är en funktion som är obekant för dig, rekommenderar vi att du bekantar dig med den på lag träningshastighet.

VAL AV TRÄNING

Tryck på SELECT tills önskad träning är indikerad. Du har följande alternativ:

1. Manual-träning, där du själv ställer in både hastigheten och lutningen under träningen.
2. Pulsstyrd träning, HRC-träning, där löpmattan justerar hastigheten/lutning automatiskt så att du hela tiden tränar vid inställd puls nivå; pulsstyrda profiler förutsätter alltid att du använder pulsbälte.
3. Konditionstest. Det finns två olika konditionstest att välja mellan, antingen ett 2 km:s gångtest eller ett 12 minuters Coopers löptest.
4. En färdig träningsprofil, där hastigheten/lutningen eller pulsnivån varierar på ett förutbestämt sätt.

MANUAL-TRÄNING

SNABBSTART:

1. Löpmattan är förinställd på Manual-träning, så kan du börja träna direkt genom att trycka på START. Mattan går igång med en hastighet på 1,5 km/h.

STARTA TRÄNINGEN VIA

ANVÄNDARINSTÄLLNINGARNA:

2. Om du vill använda dig av dina personuppgifter eller spara ditt träningspass, mata in dina personuppgifter eller välj ditt användarnamn (1-4). Bekräfta inställningen genom att trycka på START.
3. Tryck på SELECT tills MANUAL är indikerat.
4. Tryck på START; mattan går igång med en hastighet på 1,5 km/h. Du kan justera hastigheten med tangentparet Hare/Sköldpadda eller med PSC. Du kan justera lutningen med lutningstangenter.
5. Profilvisningen tar upp hastighetsdata för träningen med en minuts mellanrum. Efter 20 minuter börjar profilen flyttas till vänster så att visningen omfattar informationen för de 20 senaste minuterna. Genom att trycka på SELECT under pågående träning visas hastighet, vinkel och pulsprofil.
6. Om du trycker på STOP en gång stannar mattan och övergår till stand by-läge i 5 minuter. Under den tiden kan du återuppta träningen genom att trycka på START. Du kan även spara träningspasset när du befinner dig i Stand by-läget (se Minnesfunktioner). Genom att trycka två gånger på STOP avslutas träningsprogrammet och mätaren visar utförd prestation varefter den återgår till startläge.

PULSSTYRD TRÄNING

Träning med konstant puls är en träningsform där du ställer in en viss nivå för pulsen under träningen. Pulsstyrd träning förutsätter att du använder pulsbälte. Om pulsmätningen inte fungerar kommer felmeddelandet CHECK TRANSMITTER upp i textfältet. Kontrollera att du har följt instruktionerna för pulsbältet.

1. Om du vill använda dig av dina personuppgifter eller spara ditt träningspass, mata in dina personuppgifter eller välj ditt användarnamn (1-4). Bekräfta inställningen genom att trycka på START.
2. Tryck på SELECT tills HRC är indikerat. Bekräfta

inställningen genom att trycka på ENTER.

3. Välj pulsträningssätt med piltangenter:

a) Lutning = Stabiliseringen av pulsnivån grundar sig på ändringar i löpunderlagets lutningsvinkel. I den här träningsformen justerar du själv bandhastigheten med hjälp av PSC eller tangenterna Hare och Sköldpadda.

b) Hastighet = Stabiliseringen av pulsnivån grundar sig på automatiska ändringar i bandhastigheten. Om du önskar kan du ändra löpunderlagets lutningsvinkel under träningspasset.

c) Kombination = Stabiliseringen av pulsnivån grundar sig på att apparaten styr både löpunderlagets lutningsvinkel och bandhastigheten automatiskt.

4. Bekräfta inställningen genom att trycka på ENTER.

5. Ställ in önskad puls (80-180) med piltangenterna.

6. Tryck på START för att starta träningen. Du kan justera nivån på pulsen under träningspasset med piltangenterna.

7. Profilvisningen tar upp hastighetsdata för träningen med en minuts mellanrum. Efter 20 minuter börjar profilen flyttas till vänster så att visningen omfattar informationen för de 20 senaste minuterna. Genom att trycka på SELECT under pågående träning visas hastighet, vinkel och pulsprofil.

8. Om du trycker på STOP en gång stannar mattan och övergår till stand by-läge i 5 minuter. Under den tiden kan du återuppta träningen genom att trycka på START. Du kan även spara träningspasset när du befinner dig i Stand by-läget (se Minnesfunktioner). Genom att trycka två gånger på STOP avslutas träningsprogrammet och mätaren visar utförd prestation varefter den återgår till startläge.

KONDITIONSTEST

Löpmattan erbjuder två olika konditionstester. Lätt belastning fås med gångtesten på 2 km, som utförs i snabb promenadfart. För den med god kondition passar Coopers löptest bättre och den tar 12 minuter.

1. Tryck på SELECT tills TEST är indikerad. Bekräfta inställningen genom att trycka på ENTER. Bekräfta inställningen genom att trycka på ENTER.
2. Tryck på SELECT för att välja mellan 2 km gångtest och Coopers löptest. Bekräfta inställningen genom att trycka på ENTER.

2 KM GÅNGTEST

Gångtestet förutsätter pulsmätning. Vi rekommenderar trådlös pulsmätning. Din kondition beräknas utifrån din puls under testet, samt för hur lång tid det tar för dig att gå 2 km. Testet börjar med en 3 minuters uppvärmningsperiod. Resultaten visar din maximala syreupptagningsförmåga.

ATT STARTA KONDITIONSTESTET:

1. Mätaren frågar efter testpersonens längd (HEIGHT): mata in din längd med piltangenterna. Tryck sedan på ENTER.
2. Mätaren frågar efter testpersonens kön (SEX): ange

kön med piltangenterna. Tryck sedan på ENTER.

3. Mätaren frågar efter testpersonens vikt (WEIGHT): mata in din vikt med piltangenterna. Tryck sedan på ENTER.

4. Mätaren frågar efter testpersonens ålder (AGE). mata in åldern med piltangenterna. Tryck sedan på ENTER.

5. Meddelandet (WARM UP) anger att du kan börja uppvärmningen, som tar 3 minuter. Tryck på START för att börja uppvärmningen.

6. För att simulera luftmotståndet justeras lutningen på löpbandet automatiskt till ungefär 1 %. Justera hastigheten med piltangenterna. Som uppvärmningshastighet rekommenderar vi en något snabbare hastighet än normal promenadtakt.

7. Under uppvärmningsperioden räknar klockan ned tiden till noll från 3 minuter. När klockan visar 0.00, hörs en ljudsignal och testet börjar (TEST STARTED).

ATT GÖRA KONDITIONSTESTET:

1. Målsättningen är att gå 2 km så snabbt som möjligt. Justera hastigheten med hastighetstangenterna. Kom ihåg att det inte är tillåtet att springa under testet!

2. Om pulsblått inte fungerar, visas ett felmeddelande i textfältet, CHECK TRANSMITTER. Kontrollera då att du har följt instruktionerna för pulsblått.

3. När testet tar slut hörs en ljudsignal. Då startar den automatiska nedtrappningsperioden som tar 5 minuter och därefter stannar mattan. Mätarens textfält visar ett testresultat vid maximal syreupptagningsförmåga och ditt konditionsvärde. Jämför ditt resultat med konditionsindex för olika åldersgrupper i den bifogade tabellen.

COOPERS TEST

Coopers löptest går ut på att springa så långt som möjligt på 12 minuter, ju längre sträcka du springer desto bättre kondition har du. Testet börjar med en 3 minuters uppvärmningsperiod. Resultaten visar din maximala syreupptagningsförmåga.

ATT STARTA COOPERS TEST:

1. Meddelandet COOPER SELECTED anger att du har väljat Coopers test. Bekräfta inställningen genom att trycka på ENTER.

2. Mätaren frågar efter testpersonens kön (SEX): ange kön med piltangenterna. Tryck sedan på ENTER.

3. Mätaren frågar efter testpersonens ålder (AGE). mata in åldern med piltangenterna. Tryck sedan på ENTER.

4. Meddelandet (WARM UP) anger att du kan börja uppvärmningen, som tar 3 minuter. Tryck på START för att börja uppvärmningen.

5. För att simulera luftmotståndet justeras lutningen på löpbandet automatiskt till ungefär 1 %. Justera hastigheten med piltangenterna. Som

MÄN / MAXIMAL SYREUPPTAGNINGSKAPACITET (VO2MAX)							
1 = MYCKET LÅG - 7 = UTMÄRKT							
ÅLDER	1	2	3	4	5	6	7
18-19	<33	33-38	39-44	45-51	52-57	58-63	>63
20-24	<32	32-37	38-43	44-50	51-56	57-62	>62
25-29	<31	31-35	36-42	43-48	49-53	54-59	>59
30-34	<29	29-34	35-40	41-45	46-51	52-56	>56
35-39	<28	28-32	33-38	39-43	44-48	49-54	>54
40-44	<26	26-31	32-35	36-41	42-46	47-51	>51
45-49	<25	25-29	30-34	35-39	40-43	44-48	>48
50-54	<24	24-27	28-32	33-36	37-41	42-46	>46
55-59	<22	22-26	27-30	31-34	35-39	40-43	>43
60-65	<21	21-24	25-28	29-32	33-36	37-40	>40
KVINNOR / MAXIMAL SYREUPPTAGNINGSKAPACITET (VO2MAX)							
1 = MYCKET LÅG - 7 = UTMÄRKT							
ÅLDER	1	2	3	4	5	6	7
18-19	<28	28-32	33-37	38-42	43-47	48-52	>52
20-24	<27	27-31	32-36	37-41	42-46	47-51	>51
25-29	<26	26-30	31-35	36-40	41-44	45-49	>49
30-34	<25	25-29	30-33	34-37	38-42	43-46	>46
35-39	<24	24-27	28-31	32-35	36-40	41-44	>44
40-44	<22	22-25	26-29	30-33	34-37	38-41	>41
45-49	<21	21-23	24-27	28-31	32-35	36-38	>38
50-54	<19	19-22	23-25	26-29	30-32	33-36	>36
55-59	<18	18-20	21-23	24-27	28-30	31-33	>33
60-65	<16	16-18	19-21	22-24	25-27	28-30	>30

uppvärmningshastighet rekommenderar vi en något snabbare hastighet än normal promenadtakt.

6. Under uppvärmningsperioden räknar klockan ned tiden till noll från 3 minuter. När klockan visar 0.00, hörs en ljudsignal och testet börjar (TEST STARTED).

ATT GÖRA COOPERS TEST:

1. Målsättningen är att springa en så lång sträcka som möjligt på 12 minuter. Du kan justera hastighetsnivån med hjälp av hastighetstangenterna eller även med SPEED-tangenten.

2. I displayen visas den använda tiden för testet. På mätarens textfält syns ett uppskattat testvärde för den valda hastigheten.

3. När tiden är ute hörs en ljudsignal. Då börjar den automatiska nedtrappningsperioden som tar 5 minuter och därefter stannar mattan. Mätarens textfält visar ett testresultat vid maximal syreupptagningsförmåga och ditt konditionsvärde. Jämför ditt resultat med konditionsindex för olika åldersgrupper i den bifogade tabellen.

TRÄNINGSPROFILER

För att säkerställa att träningen blir mångsidig, behaglig och målinriktad har Tunturi utvecklat ett antal färdiga träningsprofiler som fungerar på olika sätt. Mätaren meddelar på förhand om förändringar i profilen med hjälp av en ljudsignal. Profilverisningen upptar profilens

form och uppgifter om nästa stapel i profilen. Om du vill använda dig av dina personuppgifter eller spara ditt träningspass, mata in dina personuppgifter eller välj ditt användarnamn (1-4).

A. Kombinationsprofilerna 1-3 är träningsprofiler med varierande svårighetsgrad och dessa har förinställd hastighet och lutning. Du kan justera hastigheten till önskad nivå, samt ställa in önskad längd för träningspasset, välj mellan tid eller distans. Dessa profiler kräver inte att du använder pulsbalte, men du kan få intressant extrainformation om din prestation med hjälp av det.

1. Tryck på SELECT tills önskad profil (1-3) är indikerad. Bekräfta inställningen genom att trycka på ENTER.
2. Ställ in önskad distans/tid för profilen. Tryck på SELECT för att komma till önskat värde (distans / tid). Det senast inställda värdet visas i sifferfönstret. Du kan ändra värdet med piltangenterna. Gränsvärdena är 10 minuter (10:00) och 3 timmar (h3:00), ändringar görs i steg om 5 minuter / 3 km – 42 km, ändringar görs i steg om 1 km.
3. Tryck på START; träningen börjar och mattan går igång. Du kan skala om hastighetsnivån för profilen med hjälp av piltangenterna i steg om 1 % uppåt eller neråt. Tryck på SELECT under träningen, så visas den dittillsvarande hastighets-, lutnings- och pulsprofilen för träningspasset.
4. Om du trycker på STOP en gång stannar mattan och övergår till stand by-läge i 5 minuter. Under den tiden kan du återuppta träningen genom att trycka på START. Du kan också spara träningspasset nu (se Minnesfunktioner). Genom att trycka två gånger på STOP avslutas träningsprogrammet och mätaren visar utförd prestation varefter den återgår till startläge.
5. Vid användning av färdiga träningsprogram startas nedtrappningsperioden automatiskt då programmet är färdigt. Därefter mattan stoppar. Du kan spara träningspasset nu (se Minnesfunktioner).

B. Rolling Hills är en intervallträningsprofil, där du kan ställa in distans eller tid och själv bestämma löpbandets hastighet. Du kan justera hastigheten med hjälp av PSC-funktionen. Om du inte använder dig av PSC-funktionen, behöver du inget pulsbalte. Men du får intressant tilläggsinformation om du använder ett balte.

1. Tryck på SELECT tills önskad profil (4) är indikerad. Bekräfta inställningen genom att trycka på ENTER.
2. Ställ in önskad distans/tid för profilen. Tryck på SELECT för att komma till önskat värde (distans / tid). Det senast inställda värdet visas i sifferfönstret. Du kan ändra värdet med piltangenterna. Gränsvärdena är 10 minuter (10:00) och 3 timmar (h3:00), ändringar görs i steg om 5 minuter / 3 km – 42 km, ändringar görs i steg om 1 km.
3. Tryck på START; träningen börjar och mattan går igång. Du kan justera hastighetsnivån med hjälp av hastighetstangenterna eller även med PSC. Tryck på SELECT under träningen, så visas den dittillsvarande lutnings- och pulsprofilen för träningspasset.
4. Du kan justera lutningsprofilen under träningspasset med piltangenterna.

5. Om du trycker på STOP en gång stannar mattan och övergår till stand by-läge i 5 minuter. Under den tiden kan du återuppta träningen genom att trycka på START. Du kan också spara träningspasset nu (se Minnesfunktioner). Genom att trycka två gånger på STOP avslutas träningsprogrammet och mätaren visar utförd prestation varefter den återgår till startläge.
6. Vid användning av färdiga träningsprogram startas nedtrappningsperioden automatiskt då programmet är färdigt. Därefter mattan stoppar. Du kan spara träningspasset nu (se Minnesfunktioner).

C. HRC-profilerna är pulsstyrda träningsprofiler med olika grad av ansträngning och låter dig ställa in längden på träningen. Profilerna förutsätter alltid att du använder pulsbalte. Om pulsmätningen inte fungerar kommer felmeddelandet CHECK TRANSMITTER upp i textfältet. Kontrollera då att du har följt instruktionerna för pulsbaltet.

1. Tryck på SELECT tills önskad profil (5-8) är indikerad. Bekräfta inställningen genom att trycka på ENTER.
2. Ställ in önskad distans/tid för profilen. Tryck på SELECT för att komma till önskat värde (distans / tid). Det senast inställda värdet visas i sifferfönstret. Du kan ändra värdet med piltangenterna. Gränsvärdena är 10 minuter (10:00) och 3 timmar (h3:00), ändringar görs i steg om 5 minuter / 3 km – 42 km, ändringar görs i steg om 1 km.
4. Tryck på START; träningen börjar och mattan går igång.
5. Du kan skala om hastighetsnivån för profilen med hjälp av piltangenterna i steg om 1 % uppåt eller neråt.
6. Om du trycker på STOP en gång stannar mattan och övergår till stand by-läge i 5 minuter. Under den tiden kan du återuppta träningen genom att trycka på START. Du kan också spara träningspasset nu (se Minnesfunktioner). Genom att trycka två gånger på STOP avslutas träningsprogrammet och mätaren visar utförd prestation varefter den återgår till startläge.
7. Vid användning av färdiga träningsprogram startas nedtrappningsperioden automatiskt då programmet är färdigt. Därefter mattan stoppar. Du kan spara träningspasset nu (se Minnesfunktioner).

PROFILER

(Bilderna finns på den invikta sidan i slutet av handboken)

PROFIL 1 (Hill Walk). En profil med regelbundet varierande lutning och en tämligen jämn, rask gånghastighet. Profilen passar såväl nybörjare som personer med tidigare erfarenhet av gångträning. Den förinställda medelhastigheten är 5,2 km/h och maxhastigheten är 5,8 km/h. Den förinställda medellutningen är 2,7 %.

PROFIL 2 (Hill Jog). En profil med varierande lutning och ett tämligen jämnt, lätt joggingtempo. Profilen passar såväl nybörjare som för den som vill upprätthålla sin kondition. Den förinställda medelhastigheten är 6,9 km/h och maxhastigheten är 7,2 km/h. Den förinställda medellutningen är 1,9 %.

PROFIL 3 (Hill Run). En profil med en liten och jämn lutning samt ett regelbundet varierande, raskt löptempo. Profilen passar personer som löptränare. Den förinställda medelhastigheten är 11,6 km/h och maxhastigheten är 12,5 km/h. Den förinställda medellutningen är 1,8 %.

PROFIL 4 (Rolling Hills). En distansprofil. Ställ in distansen i kilometer. Profilen är tänkt främst som en träningsprofil för löpträning, men passar även för konditionsträning. Maxdistansen är 42 km, den förinställda distansen är 3 km, med justering i steg om 1 km. Den förinställda lutningsprofilen är av intervalltyp. Den förinställda medellutningen är 2,4 %.

PROFIL 5 (Fatburner 1). En pulsbaserad profil på lågintensiv nivå, som baserar sig på en jämn höjning och sänkning av pulsnivån. Den förinställda medelpulsen är 114, maxpulsen 125.

PROFIL 6 (Fatburner 2). En pulsbaserad profil på medelintensiv nivå, som baserar sig på höjning och sänkning av pulsnivån i intervaller. Profilen passar såväl för konditionsträning som för viktkontroll. Den förinställda medelpulsen är 122, maxpulsen 136.

PROFIL 7 (Cardio). En pulsbaserad profil på medelintensiv nivå, som baserar sig på en jämn höjning och sänkning av pulsnivån. Pulsnivån ligger på ungefär 130–140 genom hela träningspasset. Profilen passar utomordentligt för konditionsträning. Den förinställda medelpulsen är 129, maxpulsen 145.

PROFIL 8 (Fit). En pulsbaserad profil på högintensiv nivå, som baserar sig på en jämn höjning och sänkning av pulsnivån. Pulsnivån ligger på ungefär 135–145 genom hela träningspasset. Profilen passar för konditionsträning för personer med god kondition och för att förbättra konditionen. Den förinställda medelpulsen är 133, maxpulsen 150.

MINNESFUNKTION

För att kunna lagra information i minnet behöver du ett användarnamn: träningspasset sparas under användarnamnet. Du kan spara 5 träningspass/ användarnamn i minnet.

ATT SPARA EGNA PROFILER:

1. Du kan spara de färdiga profilerna omgående efter det avslutade träningspasset eller efter att ha avslutat profilen med att trycka en gång på STOP. Avsluta den manuella träningen och HRC-träningspassen genom att trycka en gång på STOP, efter detta kan du spara träningsprofilen. För att spara, tryck på MEM.
2. Mätaren frågar var du vill spara träningspasset (SAVE AS OWN 1-5). Välj önskat namn med piltangenterna och tryck på ENTER för att bekräfta ditt val. Träningspasset lagras under det valda namnet.
3. Om alla platser/namn är tagna i bruk, kan du ersätta en gammal profil med en ny. Mätaren ber dig nu att bekräfta ditt val (REPLACE OWN 1-5). Tryck på ENTER. Träningspasset lagras under det valda namnet.
4. Texten (SAVED AS OWN 1-5) bekräftar att profilen

sparats. Mätaren återgår automatiskt till startläge.

OBS! Du kan lagra högst 30 ändringar av hastighet eller lutning per profil. Profilerna som lagras bör vara minst 10 minuter långa.

ATT ANVÄNDA EGNA PROFILER:

1. Välj användarnamn.
2. Tryck på MEM.
3. Tryck på SELECT tills önskad profil indikeras (01-5 MEMORY). Tryck på ENTER för att bekräfta. Tryck på SELECT för att välja mellan RERUN (att använda profilen utan ändringar) eller RACE (profilen grundar sig på tävlingsfunktionen).
4. Tryck på ENTER för att bekräfta.
5. Tryck på START för att starta profilen.
6. Med RERUN-funktionen kan du göra ändringar i din profil och spara den på nytt.

TÄVLINGSFUNKTION

För att kunna tävla mot dina tidigare prestationer, välj RACE-alternativet bland de egna hastighets-/ lutningsprofilerna. Målsättningen är att springa igenom profilen så snabbt som möjligt.

1. Tryck på START för att starta profilen.
2. Du kan ändra hastigheten manuellt eller med PSC-funktionen till önskad nivå.
3. I displayen visas kommande ändringar samt hur träningspasset fortlöper i förhållande till ditt tidigare träningspass. Texten "YOU ARE x.xx BEHIND" talar om hur långt efter du ligger tidsmässigt jämfört med ditt gamla träningspass, och texten "YOU ARE x.xx AHEAD" talar om för dig hur långt före du ligger.
4. Löpbandet stannar automatiskt när profilen är färdig. Du kan spara träningspasset nu (se Minnesfunktioner).

SERVICE

För att redskapet ska vara säkert att använda krävs regelbunden service, och att man ger akt på eventuella fel (slitage av delar osv.). Kolla en gång om året att alla skruvar och muttrar är åtdragna. Om någon del går sönder ska delen bytas ut omedelbart. Redskapet får inte användas om det inte är i funktionsdugligt skick.

RENGÖRING OCH SMÖRJNING AV LÖPBAND

Torka av handstöden och mätaren med en fuktig duk. Använd inga lösningsmedel! Dammsug regelbundet de synliga delarna av löpbandets ram (bl.a. bandet, bottenskivan, sidoplatarna) med ett litet munstycke. För rengöring av löpbandets undersida lyfts bandet upp i förvaringsposition.

OBS! Håll även omgivningen kring löpmattan ren. Löpmattan drar i användning till sig t.ex. damm som kan ge upphov till funktionsproblem för redskapet.

En mycket viktig del av löpunderlagets underhåll är smörjning. Vid normal användning i hemmet (max 1 timmes träning/dag) behöver du smörja löpbandet efter ca 300 timmars användning. Du kan lätt kontrollera den totala träningstiden i displayen. Om löpbandets rörelser blir knäckiga bör du kontrollera om löpbandet

behöver smörjas. Känn efter med handen under det avstängda löpbandet och om fingrarna är torra och bottenkivan inte känns hal, behöver den smörjas. Gör så här:

1. Stanna bandet. Fäst munstycket till T-Lube behållaren.
2. Lyft upp kanten på mattan.
3. För in röret för smörjmedlet mellan mattan och underlaget ungefär 20 cm från apparatens framkant.
4. Spruta smörjmedel på underlaget i hela dess längd, så nära mitten av löpunderlaget som möjligt. En flaska T-Lube räcker till två smörjningar.
5. Löpbandet är nu klara att använda.

OBS! Använd enbart Tunturis smörjmedel T-Lube S till din löpmatta. T-Lube S erhåller du hos din Tunturi-handlare.

OBS! För att undvika att få smörjmedel på löpbandet när löpunderlaget fälls upp för förvaring bör löpmattan användas i minst 5 minuter efter smörjning.

CENTRERING AV LÖPBAND

Kontrollera bandets funktion under ditt träningspass och utför de nedan beskrivna inställningsåtgärderna omedelbart när du märker att det behövs. Bandet skall ligga mitt på valsarna. Någon centrering behövs vanligtvis inte, om

- löpbandet placerats på ett plant underlag och har den rätta spänningen
- bandet är riktigt centrerat

På grund av olika löpstilar (t ex ojämn viktfordelning) kan bandet dock småningom förskjutas mot endera sidan.

Om löpbandets kant sticker ut under någondera av sidprofilerna, måste bandet centreras på nytt.

1. Ställ in hastigheten på 5 km/h.
2. Om löpbandet drar åt vänster, vrid den vänstra justeringsbulten i den bakre kanten av löpbandet $\frac{1}{4}$ varv medsols och den högra justeringsbulten $\frac{1}{4}$ varv motsols. Redan $\frac{1}{4}$ varv påverkar bandets riktning. Därför skall justeringsbultarna vridas litet åt gången. Om löpbandet drar åt höger, vrid den högra justeringsbulten $\frac{1}{4}$ varv medsols och den vänstra justeringsbulten $\frac{1}{4}$ varv motsols.
3. Om löpbandet hålls i mitten är inställningen riktig, men om bandet alltjämt dras åt sidan skall åtgärden upprepas tills bandet löper rakt. Om bandet får löpa snett under en längre tid, så att endera sidan skavar mot redskapets kant, kan driftstörningar förekomma. Garantin täcker inga fel eller skador som beror på att bandet inte centrerats.

JUSTERING AV LÖPBANDETS SPÄNNING

Löpbandet måste spännas, om det börjar slira vid normal drift. Spänningen skall dock vara så liten som möjligt! Spänningen justeras med hjälp av samma bultar som vid centreringen.

1. Ställ in hastigheten på 5 km/h.
2. Vrid båda justeringsbultarna medsols lika mycket, ca $\frac{1}{4}$ varv.
3. Försök få bandet att gå långsammare genom att bromsa med fötterna (som i en utförsbacke).

Om bandet fortfarande slirar, vrid ytterligare $\frac{1}{4}$ varv och upprepa försöket. Mycket kraftig bromsning får bandet att slira. Om mattan regelbundet börjar slira trots justeringar, kontakta din försäljare.

STÖRNINGAR VID ANVÄNDNING

OBS! Trots kontinuerlig kvalitetskontroll kan fel eller funktionsstörningar som beror på någon enskild komponent förekomma. Därför är det onödigt att hela redskapet skickas på reparation, eftersom det för det mesta räcker med att aktuell komponent byts.

Om din löpmatta fungerar på ett sätt som avviker från det normala, vrid strömbrytaren till OFF och vänta i en minut. Koppla därefter på mattan igen och kontrollera om felet är avhjälpt. Om felet inte upprepas, kan du använda löpmattan normalt. Om felet inte avhjälps av detta, kontakta din försäljare.

Kontakta genast din försäljare om du upptäcker fel eller brister när du använder ditt redskap eller om du behöver reservdelar. Uppge alltid redskapets modell och serienummer. Beskriv problemet, hur redskapet använts, och uppges inköpsdagen. Behöver du reservdelar, uppges också numret på reservdelar; du hittar en lista på reservdelar i slutet på den här handboken.

KODER FÖR FEL

Mätaren meddelar om störningar i olika funktioner på skärmen.

SYSTEM CHECK FAILED - Eventuella störningar i motorstyrenheten. Stäng av löpbandet, vänta 1 minut och slå på strömmen igen. Om inget felmeddelande visas, kan du använda redskapet normalt. Om felmeddelandet kvarstår, kontakta återförsäljaren.

SPEED SENSOR ERROR - Störningar i hastighetssensorn. Kontakta återförsäljaren.

MOTOR SPEED ERROR - Störningar i löpbandets hastighetsjustering. Försäkra dig om att du använder redskapet korrekt: skjut inte på bandet med dina fötter. Stäng av löpbandet, vänta 1 minut och slå på strömmen igen. Om inget felmeddelande visas, kan du använda redskapet normalt. Om felmeddelandet kvarstår, kontakta återförsäljaren.

MOTOR OVERLOAD. Överbelastning av motorn. Försäkra dig om att du använder redskapet korrekt: bromsa inte löpbandet. Stäng av löpbandet, vänta 1 minut och slå på strömmen igen. Om inget felmeddelande visas, kan du använda redskapet normalt. Kontrollera att löpbandet är välsmort, smörj vid behov. Om felmeddelandet kvarstår, kontakta återförsäljaren.

LIFT MOTOR ERROR - Störningar i lyftmotorn. Kontakta återförsäljaren.

LIFT MOTOR OVERLOAD - Överbelastning av lyftmotorn. Försäkra dig om att du använder redskapet korrekt: överbelasta inte lyftmotorn genom att ständigt justera lutningen. Stäng av löpbandet, vänta 1 minut och slå på strömmen igen. Vid start av löpmattan kalibreras lyftmotorn automatiskt. Om inget felmeddelande visas, kan du använda redskapet normalt. Om felmeddelandet kvarstår, kontakta återförsäljaren.

SERVICE KOD

CHECK LUBRICATION. Kontrollera att löpbandet är välsmort, smörj vid behov. Tryck två gånger på ENTER för att ta bort koden.

TRANSPORT OCH FÖRVARING

Du kan vika ihop T60F löpbandet för att spara utrymme. Löpmattan måste vara helt stoppad innan den lyftes upp i förvaringsposition. Stäng av strömmen och lossa elkabeln från både vägguttaget och löpbandet. Ta tag i löpbandets bakkant och lyft upp bandet så att gasfjädern låser. **OBS!** Löpbandet måste alltid vara låst i förvaringsläget. Vid förvaring skjuts gasfjädern automatiskt in i utrymmet vid transporthjulen. Förflytta redskapet på transporthjulen. Lås upp gasfjädern genom att försiktigt trycka med foten vid dekalen som markerar låsningspunkten för den vänstra gasfjädern och drag sedan löpbandet nedåt. Sänk försiktig ner löpbandet på golvet.

OBS! Förflytt löpbandet ytterst försiktigt över ojämna ställen på golvet, till exempel över tröskel. I trappor får löpbandet aldrig transporteras på transporthjulen, utan det måste bäras. För undvikande av skador rekommenderas att redskapet placeras på ett skyddat underlag. När man flyttar på löpbandet kan vissa golvmaterial ta skada, t.ex. parkettgolv. Underlaget bör i sådana fall skyddas. Efter förflyttning måste bandet vid behov centreras.

För undvikande av funktionsstörningar skall redskapet förvaras på ett torrt och dammfritt ställe som har en jämn temperatur. Drag ur stickkontakten efter varje användning.

TEKNISKA DATA

Längd	202 cm
(förvaringsläge	115 cm)
Höjd	138 cm
(förvaringsläge	175 cm)
Bredd	94 cm
Vikt.....	105 kg
Löpyta	51 x 138 cm
Bandhastighet	0,5-16,0 km/h
Lutning	0-10 %
Motor	2,0 HK (1,49 KW)

Alla Tunturimodeller har konstruerats för att uppfylla EU:s EMC-direktiv gällande elektromagnetisk kompatibilitet (EN 61000-6-1, EN 61000-6-3, 61000-3-3) och elutrustning som utformats för användning inom vissa gränser för spänningen (EN 60335-1). Därför är denna produkt försedd med CE-konformitetsmärkning. T60F uppfyller EN-standarden för precision och säkerhet (klass HA, EN-957, delar 1

och 6).

På grund av vår policy för kontinuerlig produktutveckling förbehåller vi, Tunturi, oss rätten till ändringar.

OBS! Instruktionerna måste följas noggrant vid montering, användning och underhåll av redskapet. Garantin gäller inte skador som uppkommit pga. underlåtenhet att iaktta de instruktioner för montering, justering och underhåll som beskrivits här. Redskapet som modifieras eller förändras på ett sätt som inte är godkänt av Tunturi Oy Ltd får inte användas.

Vi önskar dig mycket nöje i träningen med din nya träningspartner från Tunturi.

SISÄLTÖ

HUOMAUTUKSET JA VAROITUKSET	87
ASENNUS	87
YLEISTÄ HARJOITTELUSTA.....	88
SYKE	89
MITTARI	89
POSITION SPEED CONTROL (PSC).....	91
HARJOITUKSEN VALINTA	92
MANUAL-HARJOITUS.....	92
SYKEOHJATTU HARJOITUS	92
KUNTOTESTI.....	92
VALMIIT HARJOITUSPROFIILIT	94
MUISTITOIMINTO.....	95
HUOLTO	95
KÄYTTÖHÄIRIÖT.....	96
KULJETUS JA SÄILYTYS	97
TEKNISET TIEDOT.....	97

HUOMAUTUKSET JA VAROITUKSET

Tämä opas on olennainen osa kuntolaitettasi. Perehdy ohjeisiin huolellisesti ennen kuin asennat, käytät tai huollat kuntolaitettasi. Sinun tulee ehdottomasti säilyttää tämä opas, sillä jatkossa se opastaa Sinua niin kuntolaitteesi tehokkaaseen käyttöön kuin huoltoonkin. Muista aina noudattaa tämän oppaan ohjeita.

- Laitteen saa kytkeä vain maadoitettuun pistorasiaan. Älä käytä jatkojohtoja juoksumaton kytkennässä virtalähteeseen. Laitteen virrankulutus on enintään 10 A. Virtalähteet, joiden jännitevaihtelu on suurempi kuin 10 % voivat johtaa juoksumaton virheelliseen toimintaan tai vahingoittaa juoksumaton elektroniikkaa. Mikäli laite kytketään tässä ohjekirjassa annettujen ohjeiden vastaisesti, laitteen takuu raukeaa.
- Laitteen verkkojohto on varustettu maadoitetuilla liittimellä ja pistokkeella. Muutoksia pistorasiaan tai verkkojohdon pistokkeisiin saa tehdä vain henkilö, jolla on lupa suorittaa sähkömekaanisten laitteiden huolto- ja korjaustöitä.
- Ennen harjoittelun aloittamista käy varmistuttamassa terveydentilasi lääkärillä.
- Älä yritä tehdä laitteelle muita kuin tässä ohjekirjassa kuvattuja säätöjä tai huoltotoimenpiteitä. Asennus- ja huoltotöitä tehtäessä virran on oltava kytkettyä pois ja verkkopistokkeen on oltava irti pistorasiasta.
- Laitetta saa käyttää vain sisätiloissa. Harjoitteluolosuhteissa laite kestää lämpötiloja +10 asteesta +35 asteeseen, varastoitaessa lämpötiloja -15 asteesta +40 asteeseen. Ilman kosteus ei saa missään tapauksessa ylittää 90 %.
- Laitteen ehdoton enimmäiskäyttäjätarve on 135 kg.
- Laite on sallittu kotikäyttöön. Kotikäytössä Tunturi Oy:n myöntämä takuu-aika laitteelle on 24 kuukautta.

TERVETULOA TUNTURI-KUNTOILIJOIDEN JOUKKOON!

Valintasi osoittaa, että tahdot todella huolehtia kunnostasi; valintasi osoittaa myös sen, että arvostat korkeaa laatua ja tyylikkyyttä. Tunturi-kuntolaitteen myötä olet valinnut korkealuokkaisen, turvallisen ja motivoivan kuntolaitteen harjoituskumppaniksesi. Olkoon tavoitteesi kuntoilun saralla mikä tahansa, olemme varmoja, että tällä Tunturin kuntolaitteella

tulet tavoitteesi saavuttamaan. Lisätietoja Tunturin kuntolaitteista sekä harjoittelusta löydät internetistä Tunturin kotisivuilta WWW.TUNTURI.COM.

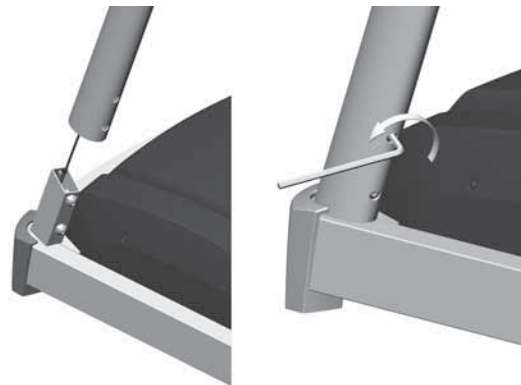
ASENNUS

Aloita tarkistamalla, että pakkaukset sisältävät seuraavat osat:

1. Runko
2. Etukaiteet
3. Poikittaiskäsituki
4. Mittari
5. Verkkojohto
6. Asennustarvikepussi (sisältö merkitty *:lla varaosaluetteloon): säästä asennustarvikkeet, sillä voit tarvita niitä mm. laitteen säätämiseen

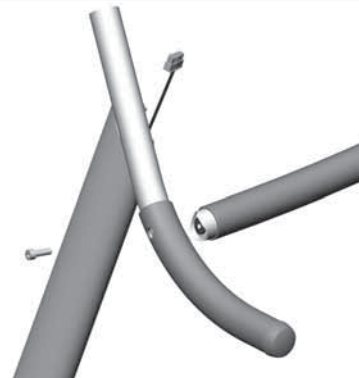
Ohjeessa mainitut suunnat oikea, vasen, etu ja taka on määritelty harjoitusasennosta katsottuna. Ota ongelmatilanteissa yhteys laitteen myyjään. Suosittelemme, että laitteen kokoaa kaksi henkilöä. Kokoaa kuntolaitteesi toimintakuntoon seuraavasti:

ETUKAITEET



TÄRKEÄÄ! Kiinnitysruuvit ovat valmiina paikoillaan, älä irrota niitä! Huomaa että vasemman etukaiteen läpi on vedetty johto: varo ettei johto putoa etukaiteen sisälle! Aseta etukaiteet paikalleen rungon sivuille: vedä samalla vasemmasta etukaiteesta tulevaa johtoa ylöspäin, ettei se jää puristuksiin etukaiteen ja rungon väliin. Kiristä ruuvit vasta kun olet kiinnittänyt poikittaiskäsitetuen ja mittarin paikoilleen.

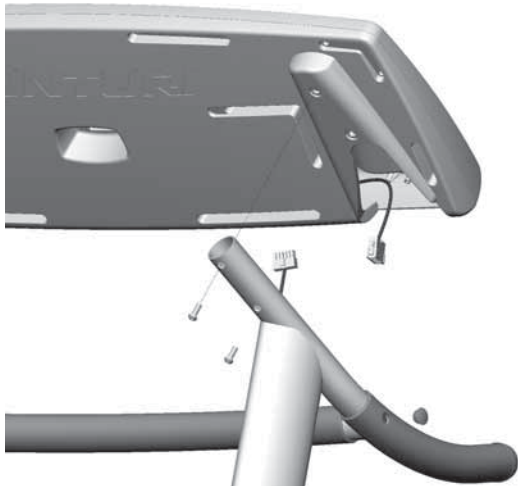
POIKITTAISKÄSITUKI



Aseta poikittaiskäsituki etukaiteiden väliin siten, että se on kupera laitteen takaosaan päin. Kiinnitä

poikittaiskäsituki etukaiteisiin molemmilta puolilta kuusiokoloruuvilla. Helpota kiinnitystä asettamalla kiinnitysruuvi avaimen päähän ennen kuin työntät sen etukaiteessa olevaan läpireikään. Kiristä ruuvit.

MITTARI



Liitä vasemmasta etukaiteesta tuleva johto mittarijohdon liittimeen ja työnnä liitetty johto etukaiteen sisälle. Paina mittari paikalleen etukaiteiden päihin ja kiinnitä mittari neljällä kuusiokoloruuvilla mittarin taustapuolelta. Tarvittaessa voit helpottaa kiinnitystä löysäämällä poikittaiskäsitukea: älä kuitenkaan löysää käsitukea siitä päästä, jossa on musta kumimutteri.

Kiristä nyt etukaiteiden kiinnitysruuvit. Kiristä kiinnitysruuvit siten, että työntät kuusiokoloavaimen pään etukaiteen reiän läpi kiinnitysruuvin kantaan. **TÄRKEÄÄ!** Kiristä kiinnitysruuvit kiertämällä vastapäivään! Vältä kiinnitysruuvien ylikiristämistä. Helpota kiinnitystä työntämällä etukaiteita kevyesti eteenpäin kiristäessä ruuveja. Paina muoviset koristetapit etukaiteiden reikien päälle. Poista suojakalvo näytön päältä. Paina muoviset koristetapit etukaiteiden reikien päälle. Poista suojakalvo näytön päältä.

TURVA-AVAIN

Juoksumatto ja käyttöliittymä toimivat vain, jos turva-avain on asetettu kunnolla paikalleen; laite pysähtyy välittömästi, kun turva-avain irtoaa. Kiinnitä turva-avaimen naru pidikkeen avulla vaatetukseesi, esim. kaulukseen tai rintapieleen, ja työnnä turva-avain käyttöliittymän alareunassa olevaan loveen. Varmista harjoitellessasi, että turva-avaimen pidike on kiinnitetty vaatetukseesi kunnolla; turva-avaimen narun kiristyessä pidike ei koskaan saa irrota vaatetuksestasi ennen kuin turva-avain on irronnut käyttöliittymästä. Ota tukea käsituksesta aina kun nouset matolta pois. Älä hyppää liikkuvalla matolta.

VERKKOJOHTO

Ennen kuin kytket juoksumaton virtalähteeseen, tarkista jännitteen sopivuus laitteesi tyyppikilvestä. Kytke verkkovirtajohdon pistotulppa juoksumaton etuosassa olevaan liittimeen. Kytke virta laitteeseen liittimen vieressä olevasta virtakytkimestä. **TÄRKEÄÄ!** Laitteen

saa kytkeä vain maadoitettuun pistorasiaan. Älä käytä jatkojohtoja juoksumaton kytkennässä virtalähteeseen.

YLEISTÄ HARJOITTELUSTA

Moottoroidun juoksumaton toimintoihin ja hallintaan tulee tutustua huolellisesti ennen harjoittelun aloittamista.

Harjoittelu juoksumatolla on erinomaista aerobista liikuntaa, jonka perusideana on, että liikunta on sopivan kevyttä mutta pitkäkestoista. Aerobinen liikunta perustuu maksimaalisen hapenottokyvyn parantamiseen; se puolestaan lisää kestävyyttä ja kuntoa.

Aerobinen liikunta on ennen kaikkea miellyttävää. Hien pitää nousta pintaan, mutta syke ei saa nousta kohtuuttoman korkealle. Näin harjoitusta voidaan jatkaa pidempäänkin. Suositus harjoituksen pituudeksi on 30-60 minuuttia kolme kertaa viikossa tavoitteiden, kunnan ja mahdollisuuksien mukaan.

Mikäli haluat harjoitella kävellen, voit lisätä suorituksen vaihtelevuutta ja vaativuutta muuttamalla juoksualueen kulmaa. Kävelyharjoitusta voi monipuolistaa myös harjoittamalla samanaikaisesti käsilihaksia pienillä painoilla. Huomioi tällöin tasapainosi ja muut turvallisuustekijät.

Lisätietoja Tunturin kuntolaitteista sekä harjoittelusta löydät internetistä Tunturin kotisivuilta www.tunturi.com.

HUOMIOITAVAA HARJOITTELUPAIKASTA

- Laitetta saa käyttää vain sisätiloissa.
- Sijoita juoksumatto kovalle, tasaiselle ja suojatulle alustalle. Valitse laitteen sijoituspaikka siten, että laitteen eteen ja sivuille jää vähintään 100 cm ja taakse 100x200 cm vapaata tilaa. Huolehdi, etteivät lapset tai kotieläimet tule tälle alueelle laitetta käytettäessä.
- Huolehdi, että harjoitteluympäristö on riittävän hyvin ilmastoitu. Vilustumisen estämiseksi vältä kuitenkin harjoittelua vetoisissa tiloissa.

HUOMIOITAVAA LAITTEEN KÄYTÖSTÄ

- Mikäli lasten annetaan käyttää laitetta, vanhempien tai muiden vastuullisten tulee ottaa huomioon lasten sekä henkinen että fyysinen kehitys ja ennen kaikkea luonne. Lapsia tulee valvoa ja opastaa juoksumaton oikeassa käytössä.
- Vain yksi henkilö kerrallaan saa harjoitella laitteella.
- Pidä kätesi kaukana liikkuvasta matosta. Pidä laitteen alusta aina tyhjänä äläkä työnnä sinne käsiäsi tai jalkojasi tai mitään esineitä.
- Käytä harjoitellessasi sopivaa vaatetusta ja asianmukaisia jalkineita. Varmista, että kengännauhasi ovat harjoittellessa aina kunnolla solmitut. Käytä vain sisäkäyttöön tarkoitettuja urheilujalkineita.
- Varmista ennen harjoittelun aloittamista, että laite on kaikin puolin kunnossa. Älä koskaan käytä viallista laitetta.
- Älä käytä laitetta mikäli kaikki katteet ja suojuukset eivät ole paikoillaan.
- Älä milloinkaan jätä mattoa pyörimään ilman valvontaa.

HARJOITUKSEN ALOITTAMINEN

- Muista venytellä sekä harjoituksen alussa että lopussa. Venyttelyn avulla saat lihaksesi ja nivelsiteesi joustaviksi, laukaiset mahdolliset jännitystilat ja vältät venähdykset ja kipeytymiset harjoituksen aikana. Tee liikkeet rauhallisesti, pitkään ja nykimättä.
- Käynnistä juoksumatto harjoitusta varten aina siten, että seisot hajareisin juoksumaton reunalevyillä.
- Aloita harjoitus hitaalla nopeudella, ja lisää nopeutta ja/tai kulmaa asteittain kuntosi ja tuntemustesi mukaan.
- Ota tukea käsituesta aina kun nouset matolle tai siltä pois ja aina kun vaihdat maton nopeutta kesken juoksun. Älä hyppää liikkuvalla matolta.
- Pidä selkä ja niska suorana, näin vältät niskan, hartioiden ja selän puutumista ja kipeytymistä. Juokse aina mahdollisimman keskellä mattoa, ja pidä etäisyytesi mittariin sellaisena, ettei se häiritse juoksuasi, mutta yllät siihen helposti.
- Mikäli laitteen toiminnassa ilmenee häiriöitä harjoituksen aikana, ota käsituesta kiinni ja siirry välittömästi seisomaan hajareisin juoksumaton reunalevyille. Sammuta juoksumatto ja katso käyttöohjeen kohta Käyttöhäiriöt.
- Jos tunnet harjoittelun aikana pahoinvointia, huimausta tai muita epänormaaleja oireita, keskeytä harjoittelu välittömästi ja ota yhteys lääkäriin.

HARJOITUKSEN PÄÄTTÄMINEN

- Älä lopeta harjoitustasi yhtäkkiä, vaan vähennä nopeuttasi asteittain, äläkä unohda venyttelyä harjoituksen päätyttyä.
- Irrota turva-avain käyttöliittymästä.
- Kytke virta pois päältä juoksumaton etureunassa olevasta kytkimestä.
- Irrota verkkojohto sekä virtalähteestä että juoksumatosta.
- Puhdista laite tarvittaessa hiestä hieman kostealla liinalla tai pyyhkeellä; älä käytä liuottimia.
- Säilytä verkkojohto lasten ulottumattomissa ja poissa kulkuväyliltä.

SYKE

Sykettä voidaan mitata mittarin sisälle valmiiksi asennetun sykevastaanottimen avulla Polarin sykellähettimen kanssa. Olipa tavoitteesi harjoittelussa mikä hyvänsä, parhaaseen tulokseen pääset harjoittelemalla oikealla räsitusasolla.

TÄRKEÄÄ! Mikäli käytät sydämentahdistinta, varmista lääkäriltäsi, että voit käyttää langatonta sykemittausta.

Luotettavimmaksi sykkeenmittausperiaatteen on todettu langaton sykkeenmittaus, jossa rintakehälle kiinnitettävän lähettimen elektrodit siirtävät sykeimpulssit sydäimestä sähkömagneettisen kentän avulla mittarille. Mikäli haluat mitata sykettä langattomasti harjoittelun aikana, kostuta huolellisesti lähetinvyössä olevat, ihoa vasten tulevat uralliset elektrodit vedellä tai syljellä. Mikäli käytät lähettäintä paidan päällä, kostuta paita elektrodipintoja vastaavilta kohdilta. Kiinnitä lähetin joustavan vyön avulla sopivan tiukasti rintalihasten alapuolelle siten, että elektrodit

pysyvät ihokontaktissa harjoittelun aikana. Lähetin ei kuitenkaan saa olla liian tiukalla, jottei esim. normaali hengitys vaikeudu. Sykellähettimen siirtää sydämen sykelukeman automaattisesti sykevastaanottimelle n. 1 m:n etäisyyteen saakka.

Mikäli elektrodipinnat eivät ole kosteat, sykelukema ei ilmesty mittarin näyttöön. Siksi jos elektrodit kuivuvat iholla, kostuta ne uudelleen. Muista myös, että elektrodien tulee antaa lämmetä iholla kehon lämpöiseksi, jotta mittaus toimisi luotettavasti. Jos langattomasti sykettä mittaavia laitteita on useampia vierekkäin, niiden välisen etäisyyden tulee olla vähintään 1,5 m. Vastaavasti jos käytössä on vain yksi vastaanotin, mutta useampi lähetin, saa mittauksen aikana lähetysväilyllä olla vain yksi henkilö, jolla on lähetin. Lähettimen toiminta lakkaa, kun otat sen pois yltäsi. Kosteus saattaa kuitenkin aktivoida lähettimen, jolloin patterin käyttöikä lyhenee. Siksi on tärkeää kuivata lähetin huolellisesti käytön jälkeen. Huomioi harjoitusvaatetuksessasi että tietyt vaatteisiin käytetyt kuidut (esim. polyesteri, polyamidi) tuottavat staattista sähköä, mikä saattaa estää luotettavan sykemittauksen. Huomioi että matkapuhelin, tv ja muut sähkölaitteet muodostavat ympärilleen sähkömagneettisen kentän, joka aiheuttaa ongelmia sykemittauksessa.

Paras räsitusasoa mittari on oman sydämen syketaajuus. Lähde liikkeelle selvittämällä ensin maksimisykearvoasi eli se lyöntimäärä, josta sykteesi ei enää nouse, vaikka räsitus lisääntyy. Jos et tiedä omaa maksimisykearvoasi, voit käyttää seuraavaa kaavaa suuntaa antavana:

$$208 - \text{IKÄ} \times 0,7$$

Maksimisyke voi vaihdella yksilöllisesti runsaastikin. Maksimisyke putoaa keskimäärin yhden sykkeen vuodessa. Varsinkin siinä tapauksessa, että kuulut johonkin riskiryhmään, kannattaa sinun ehdottomasti varmistaa maksimisykteesi lääkärin avustuksella.

Olemme määritelleet kolme eri sykealuetta, joista löydät tavoitteitasi parhaiten vastaavat harjoittelualueet.

ALOITTELIJAN TASO: 50 - 60 % maksimisykkeestä

Tämä taso on sopiva laihduttajille, toipilaille ja niille, jotka eivät ole harrastaneet liikuntaa aikaisemmin tai pitkään aikaan. Suositeltava harjoitusmäärä on kolme kertaa viikossa vähintään puoli tuntia kerrallaan.

KUNTOILIJAN TASO: 60 - 70 % maksimisykkeestä

Tämä taso sopii erinomaisesti kunnan kohottamiseen ja ylläpitämiseen. Harjoituksen tulisi kestää kerrallaan vähintään puoli tuntia ja harjoituskertoja tulisi olla vähintään kolme viikossa. Mikäli haluat kohottaa kuntoasi edelleen, sinun on lisättävä joko harjoituskertoja tai harjoitustehoa (ei kuitenkaan molempia yhtäaikaan).

AKTIIVIKUNTOILIJAN TASO: 70 - 80 % maksimisykkeestä

Harjoittelu tällä tasolla soveltuu vain erittäin

hyväkuntoisille ja edellyttää jo pitkään jatkunutta kuntoilua.

MITTARI

TOIMINTOPAINIKKEET

START

Käynnistät valitun harjoitteen.

NOPEUDENSÄÄTÖPAINIKKEET (JÄNIS/KILPIKONNA)

Painamalla jänispainiketta lisäät maton nopeutta 0,1 km/h portain, painamalla kilpikonnapainiketta puolestaan vähennät maton nopeutta 0,1 km/h portain. Pidempi painallus nopeuttaa muutosta. Nopeuden vaihteluväli on 0,5–16,0 km/h.

KALTEVUUDENSÄÄTÖPAINIKKEET

Painamalla nuoli ylös-painiketta lisää juoksualustan kaltevuutta 0,5 % portain, painamalla nuoli alas-painiketta puolestaan vähennät juoksualustan kaltevuutta 0,5 % portain. Pidempi painallus nopeuttaa muutosta. Kaltevuuden vaihteluväli on 0 – 10 %.

NUOLINÄPPÄIMET

Harjoitusohjelmissa voit skaalata vaativuustasoa ja sykeohjatussa harjoittelussa säätää tavoitesyketasoa nuolinäppäimien avulla. Painamalla nuoli ylös-painiketta lisää vaativuustasoa, painamalla nuoli alas-painiketta puolestaan vähennät vaativuustasoa. Pidempi painallus nopeuttaa muutosta.

STOP / PAUSE / RESET

Painamalla STOP-painiketta kerran, matto pysähtyy ja siirtyy 5 minuuttia kestäväan odotustilaan. Tämän ajan kuluessa voit jatkaa keskeytettyä harjoitusta painamalla START-painiketta. Painamalla kahdesti STOP-painiketta päätät harjoitusohjelman. 2 sekunnin painallus STOP-painikkeesta nolaa mittarin, jolloin mittari siirtyy käynnistystilaan.

SELECT

Ennen START-painikkeen painallusta voit valita SELECT-painikkeella haluamasi harjoitteen. Harjoituksen aikana voit valita SELECT-painikkeella haluamasi profiilinäytön.

ENTER

Vahvistat valintasi (harjoite, käyttäjäasetukset).

MEMORY

MEM-painikkeen avulla voit tallentaa päättyneen harjoituksen mittarin muistiin. Tallennus edellyttää käyttäjätunnuksen valintaa. Jokainen käyttäjätunnus sisältää 5 muistipaikkaa.

PSC

PSC-toiminnossa säädät juoksumaton nopeutta muuttamalla sijaintiasi matolla harjoituksen aikana mittariin koskematta. PSC-toiminto edellyttää sykemittarin käyttöä. PSC-toimintoa voit käyttää manuaaliharjoituksessa, kulmaohjatussa HRC-harjoituksessa, Rolling Hills-profilissa sekä molemmissa kuntotesteissä.

SET

Painamalla SET-painiketta voit valita käyttäjätunnuksen, tehdä käyttäjätietojen asetukset, valita laitteen käyttämät yksiköt sekä tarkistaa laitteen käyttäjäkohtaiset kokonaiskäyttömatkan ja –tunnit. NO USER-vaihtoehto liittyy laiteasetuksiin, ja sen alta löydät laitteen kokonaiskäyttöajan ja –matkan.

T-WARE -OHJELMISTO

Tämä kuntolaite on yhteensopiva Tunturin kehittämän T-Ware -kuntotestaus- ja seurantaohjelmiston kanssa. Lisätietoja T-Ware -ohjelmistosta ja sen käytöstä löydät Tunturin kotisivuilta www.tunturi.com.

NÄYTÖT

HEART RATE (harjoitusssyke)

45-220 bpm. Sykevalo vilkkuu aina, kun mittari vastaanottaa sykesignaalia.

KCAL (arvioitu energiankulutus)

0-9999 kcal, 1 kalorin portain

ELEVATION (juoksualustan kulma)

0-10 %, 0,5 % portain

TIME (harjoitusaika)

näyttö sekunnin tarkkuudella 00:00 - 99:59, tämän jälkeen minuutin tarkkuudella h1:40-h9:59

DISTANCE (harjoitusmatka)

0-99,99 km 0,01 km portain. Merkkivalo osoittaa valitun yksikön (metrit / mailit).

SPEED (juoksumaton nopeus)

0,5-16,0 km/h, 0,1 km/h portain. Merkkivalo osoittaa valitun yksikön (km/h, mph, pace = minuuttia / kilometri).

GRAFIKKA/TEKSTINÄYTTÖ

Mittarissa on yhdistetty teksti- ja profiilinäyttö, joka ohjeistaa käyttäjää englanninkielellä harjoitukseen siirryttäessä sekä harjoituksen aikana.

KÄYTTÄJÄTIETOJEN ASETUS

Suosittelemme, että valitset käyttäjätunnuksen ja tallennat henkilökohtaiset tietosi: tietoja käytetään mm. tarkennettuun energiankulutuksen arviointiin. Samalla voit asettaa juoksumaton käyttämät yksiköt sekä katsoa juoksumaton kokonaiskäyttöarvot. Valitsemalla käyttäjätunnuksen voit myös tallentaa tekemäsi harjoituksen.

1. Paina SET-painiketta. Valitse nuolipainikkeella käyttäjätunnus 1-4. Vahvista valintasi ENTER-painikkeella. Tekstikenttään tulee englanninkielinen ohjeteksti, joka vaihtuu asetettavan arvon mukaan. **TÄRKEÄÄ!** NO USER-vaihtoehto liittyy laiteasetuksiin, ja sen alta löydät laitteen kokonaiskäyttöajan ja –matkan.
2. Aseta mittayksiköt (METRIC = metrinen järjestelmä, IMPERIAL = englantilaiset yksiköt); muuta asetusta

- nuolipainikkeilla, vahvista asetettu arvo ENTER-painikkeella jolloin siirryt seuraavaan asetukseen.
3. Aseta käyttäjäpaino; muuta asetusta nuolipainikkeilla, vahvista asetettu arvo ENTER-painikkeella jolloin siirryt seuraavaan asetukseen.
 4. Aseta sukupuoli (Male = mies, Female = nainen); muuta asetusta nuolipainikkeilla, vahvista asetettu arvo ENTER-painikkeella jolloin siirryt seuraavaan asetukseen.
 5. Aseta käyttäjän ikä; muuta asetusta nuolipainikkeilla, vahvista asetettu arvo ENTER-painikkeella jolloin siirryt seuraavaan asetukseen.
 6. Aseta äänimerkin käyttö (AUDIO ON = äänimerkit käytössä, AUDIO OFF = äänimerkit eivät käytössä); muuta asetusta nuolipainikkeilla, vahvista asetettu arvo ENTER-painikkeella jolloin siirryt seuraavaan asetukseen. **TÄRKEÄÄ!** Profiiliharjoitteissa mittari ilmoittaa profiilin muutoksista äänimerkillä etukäteen.
 7. Aseta näytön käyttämät yksiköt (km/h, min/km, mph, min/maili); muuta asetusta nuolipainikkeilla, vahvista asetettu arvo ENTER-painikkeella jolloin siirryt seuraavaan asetukseen. **TÄRKEÄÄ!** Yksikkövalinnan voit tehdä harjoituksen aikana: paina SET-painiketta kerran ja valitse asetukset nuolipainikkeilla. Hyväksy asetukset ENTER-painikkeella, jolloin palaat harjoitukseen.
 8. Aseta maton huippunopeus nuolinäppäimillä PSC- ja sykeohjattuihin harjoitteisiin: näissä harjoitteissa nopeus määräytyy harjoittelijan sykkeen perusteella ja saattaa ilman huippunopeuden asetusta nousta harjoituksen kannalta liian suureksi. Oletusarvona huippunopeus on 12 km/h. Vahvista asetettu arvo ENTER-painikkeella jolloin siirryt seuraavaan asetukseen.
 9. TOTAL TIME -näytössä näet juoksumaton käyttäjäkohtaisen kokonaiskäyttöajan. ENTER-painikkeella siirryt seuraavaan näyttöön.
 10. TOTAL DIST -näytössä näet juoksumaton käyttäjäkohtaisen kokonaiskäyttömatkan. ENTER-painikkeella tallennat tietosi ja laite palaa käynnistystilaan.

Kun olet asettanut käyttäjätiedot, voit jatkossa hyödyntää niitä aloittamalla harjoituksesi valitsemalla oman käyttäjätunnuksesi. Valittu käyttäjätunnus säilyy mittarin muistissa, kunnes toinen tunnus valitaan käyttöön, turva-avain irrotetaan tai laitteen verkkojohto irrotetaan.

POSITION SPEED CONTROL (PSC)

Position Speed Control (PSC) -toiminnossa säädät juoksumaton nopeutta muuttamalla sijaintiasi matolla. Maton nopeus kasvaa siirtyessäsi maton etuosaan, hidastuu siirtyessäsi maton takaosaan ja pysyy samana ollessasi maton keskiosassa.

TÄRKEÄÄ! PSC-toiminnon käyttäminen edellyttää Polar T41-sykevyön käyttöä! Toimivan sykemittauksen merkinä mittarin Heart Rate-näytössä vilkkuu neliö.

TÄRKEÄÄ! Kiinnitä turva-avaimen pidike paitaasi huolellisesti aina käyttäessäsi PSC-toimintoa. Säädä turva-avaimen narun pituus siten, että turva-avain irtoaa mittarista mikäli siirryt liian kauas taaksepäin.

TÄRKEÄÄ! Mikäli harjoittelet PSC-toiminnon avulla,

maton läheisyydessä (välimatkaa ainakin 2 m) ei saa olla toista sykelähetintä; kahden lähettimen yhtäaikaista signaalia vaarantavat käyttäjäturvallisuuden sekoittamalla PSC-toiminnon ohjauksen!

Tee PSC-toiminnon käyttöönottoasetus, kun matto on pysähdyksissä.

1. Aloita PSC-toiminnon käyttö asettamalla nopeusalueiden rajat. Paina mittarin PSC-painiketta.
2. Näyttöön ilmestyy mittariin viimeksi tehdyn asetuksen perusteella teksti PSC ON (toiminto käytössä) tai PSC OFF (toiminto ei käytössä). Valitse nuolinäppäimillä PSC ON ja paina ENTER-painiketta.
3. Näyttöön ilmestyy teksti PRESS ENTER TO CALIBRATE PSC OR START TO EXIT (ENTER-painikkeella aloitat PSC-nopeusalueiden määrittelyn, START-painikkeella poistut asetuksesta). Asetu seisomaan maton keskivaiheille. Kiihdytysalue alkaa noin 10 cm mittauskohdasta eteenpäin, hidastusalue puolestaan noin 20 cm mittauskohdasta taaksepäin. Paina ENTER, jolloin mittari mittaa etäisyytesi sykesignaalin perusteella. Näyttöön ilmestyy teksti PLEASE WAIT 8. Kun 8 sekunnin mittaus on ohi, näyttöön ilmestyy teksti CALIBRATION READY PRESS START (asetus valmis, käynnistä toiminto START-painikkeella).
4. Mikäli mittari ei vastaanota sykesignaalia tai etäisyysmittauksessa ilmenee ongelma, mittari palaa CALIBRATION näyttöön. Häiriötilanteissa näyttöön tulee teksti CHECK TRANSMITTER.

Varmista tällöin, että olet noudattanut sykevyön käytöstä annettuja ohjeita.

Mikäli nopeusalueiden rajat ovat mielestäsi sopivat, voit jatkossa ottaa PSC-toiminnon käyttöön valitsemalla PSC ON, painamalla ENTER- ja START-painikkeita sekä valitsemalla haluamasi harjoitusmuodon. Mikäli haluat muuttaa nopeusalueiden rajoja, toista vaiheet 1-3 sijoittamalla mittausvaiheessa sopivampaan kohtaan mattoa.

HARJOITTELU PSC:N KANSSA

1. Valitse Manual-harjoitustapa, kulman säätöön perustuva vakiosykeharjoite, Rolling Hills-profiili tai kuntotesti. Näissä voit ohjata maton nopeutta PSC-toiminnon avulla. PSC-toiminnon aktiivisuus osoitetaan mittarin PSC-merkkivalon palamisella. Juoksumatossa on kolme PSC-merkkivaloa, jotka osoittavat millä nopeusalueella kulloinkin sijaitset (jänis = vauhti nopeutuu, - = vakiovauhti, kilpikonna = vauhti hidastuu).
2. Käynnistä valitsemasi harjoite painamalla START-painiketta ja säädä maton nopeutta siirtymällä matolla eteen- tai taaksepäin. Huomaa, että PSC-toiminnon aikana myös nopeudensäätöpainikkeet (kilpikonna/jänis) toimivat. **TÄRKEÄÄ!** Mikäli PSC-toiminto ei ole sinulle entuudestaan tuttu, suosittelemme tutustumista toimintoon hitaalla harjoitusvauhdilla.

HARJOITUKSEN VALINTA

Paina SELECT-painiketta kunnes merkkivalo palaa haluamasi harjoituksen kohdalla. Vaihtoehtoina ovat

1. Manual-harjoitus, jossa säädät harjoituksen aikana itse niin nopeutta kuin kulmaakin
2. Sykeohjattu HRC-harjoitus, jossa juoksumatto säätää nopeutta / juoksualustan kaltevuutta automaattisesti siten, että harjoittelet jatkuvasti asettamallasi syketasolla
3. Kuntotesti: matto tarjoaa kaksi testivaihtoehtoa, 2 km kävelytestin sekä 12 minuutin Cooperin juoksutestin.
4. Valmis harjoitusohjelma, jossa nopeus, kulma tai syketaso vaihtelevat ennaltasäädetyllä tavalla.

MANUAL-HARJOITUS

PIKA-ALOITUS:

1. Manual-harjoitus on juoksumaton oletusasetuksena. Voit siirtyä Manual-harjoitukseen suoraan painamalla START-painiketta. Matto lähtee liikkeelle 1,5 km/h nopeudella.

ALOITUS KÄYTTÄJÄASETUKSEN KAUITTA:

2. Mikäli tahdot hyödyntää käyttäjätietoja tai tallentaa harjoitteesi, aseta käyttäjätietosi tai valitse käyttäjätunnukseksi (1-4). Vahvista valintasi START-painikkeella.
3. Paina SELECT-painiketta kunnes Manual-tekstin merkkivalo palaa.
4. Paina START-painiketta; matto lähtee liikkeelle 1,5 km/h nopeudella. Voit säätää nopeutta Jänis/Kilpikonna-painikkeilla tai PSC-toiminnon avulla ja juoksualustan kaltevuutta kaltevuudensäätöpainikkeilla.
5. Harjoituksen aikana profiilinäyttöön kerääntyy tietoa minuutin välein. 20 minuutin kuluttua harjoituksen alusta näyttö alkaa siirtyä vasemmalle siten, että näytössä ovat viimeiset 20 minuuttia. Painamalla SELECT-painiketta harjoituksen aikana mittari näyttää harjoituksen kertyneen nopeus-, kulma- ja sykeprofiilin.
6. Painamalla STOP-painiketta kerran, matto pysähtyy ja siirtyy 5 minuuttia kestävään odotustilaan. Tämän ajan kuluessa voit jatkaa keskeytettyä harjoitusta painamalla START-painiketta. Odotustilassa voit myös tallentaa harjoituksen mittarin muistiin (katso Muistitoiminto). Painamalla kahdesti STOP-painiketta päätät harjoitusohjelman, jolloin mittari antaa tietoa tehdystä suorituksesta ja siirtyy käynnistystilaan.

SYKEOHJATTU HARJOITUS

Vakiosykeharjoitukset mahdollistavat harjoittelun halutulla syketasolla. Sykeohjattu harjoittelu edellyttää aina sykevyyden käyttöä. Mikäli sykemittaus ei toimi, tekstikentässä on virheilmoitus CHECK TRANSMITTER. Varmista tällöin, että olet noudattanut sykevyyden käytöstä annettuja ohjeita.

1. Mikäli tahdot hyödyntää käyttäjätietoja tai tallentaa harjoitteesi, aseta käyttäjätietosi tai valitse käyttäjätunnukseksi (1-4). Vahvista valintasi START-painikkeella.
2. Paina SELECT-painiketta kunnes HRC-tekstin merkkivalo palaa. Vahvista valintasi ENTER-

painikkeella.

3. Valitse sykeohjausmalli nuolipainikkeilla:

a) Elev (Kulma): syketason vakiointi perustuu juoksualustan kaltevuuskulman automaattisiin muutoksiin. Tässä harjoitusmuodossa säädät itse maton nopeutta PSC-toiminnolla tai jänis- ja kilpikonnainikkeilla.

b) Speed (Nopeus): syketason vakiointi perustuu maton nopeuden automaattisiin muutoksiin. Halutessasi voit harjoituksen aikana muuttaa juoksualustan kulmaa.

c) Combi (Yhdistelmä): syketason vakiointi perustuu juoksualustan kaltevuuskulman ja maton nopeuden automaattisiin muutoksiin.

4. Vahvista valintasi ENTER-painikkeella.
5. Aseta haluamasi sykearvo (80-180) nuolipainikkeiden avulla. Vahvista valintasi ENTER-painikkeella.
6. Aloita vakiosykeohjelma painamalla START-painiketta. Voit muuttaa tavoitesyketasoa harjoituksen aikana nuolipainikkeilla.
7. Harjoituksen aikana profiilinäyttöön kerääntyy tietoa minuutin välein. 20 minuutin kuluttua harjoituksen alusta näyttö alkaa siirtyä vasemmalle siten, että näytössä ovat viimeiset 20 minuuttia. Painamalla SELECT-painiketta harjoituksen aikana mittari näyttää harjoituksen kertyneen nopeus-, kulma- ja sykeprofiilin.
8. Painamalla STOP-painiketta kerran, matto pysähtyy ja siirtyy 5 minuuttia kestävään odotustilaan. Tämän ajan kuluessa voit jatkaa keskeytettyä harjoitusta painamalla START-painiketta. Odotustilassa voit myös tallentaa harjoituksen mittarin muistiin (katso Muistitoiminto). Painamalla kahdesti STOP-painiketta päätät harjoitusohjelman, jolloin mittari antaa tietoa tehdystä suorituksesta ja siirtyy käynnistystilaan.

KUNTOTESTI

Juoksumatto tarjoaa kaksi erilaista kuntotestiä. Rasiukseltaan kevyempi on 2 km kävelytesti, joka suoritetaan nopeaa kävelyvauhtia. Hyväkuntoisille soveltuu paremmin Cooperin juoksutesti, joka kestää 12 minuuttia. Kuntotesteissä voit käyttää nopeuden säätöön PSC-toimintoa.

ALOITUS:

1. Valitse käyttäjätunnukseksi nuolipainikkeilla. Vahvista valintasi ENTER-painikkeella.
2. Paina SELECT-painiketta kunnes TEST-tekstin merkkivalo palaa. Vahvista valintasi ENTER-painikkeella.
3. Paina SELECT-painiketta, jonka avulla voit valita joko 2 km kävelytestin tai Cooperin testin. Vahvista valintasi ENTER-painikkeella.

2 KM KÄVELYTESTI

Kävelytesti edellyttää sykemittarin käyttöä. Kävelytestissä kuntotaso lasketaan suorituksen aikaisen syketason sekä 2 km matkaan käytetyn ajan perusteella. Testiä edeltää 3 minuutin lämmittelyjakso. Lisäksi suosittelemme, että jatkat kävelemistä rauhalliseen tahtiin testin päätyttyä muutaman minuutin ajan,

jolloin sykkeesi palautuu normaalille tasolle. Tulosten perusteella mittari ilmoittaa arvioidun maksimaalisen hapenottookykyysi.

KÄVELYTESTIN ALOITUS:

1. Mittarin tekstikenttä kysyy testihenkilön pituutta (HEIGHT): aseta pituus nuolipainikkeilla. Vahvista asetuksesi ENTER-painikkeella.
2. Mittarin tekstikenttä kysyy testihenkilön sukupuolta (SEX): aseta sukupuoli nuolipainikkeilla. Vahvista asetuksesi ENTER-painikkeella.
3. Mittarin tekstikenttä kysyy testihenkilön painoa (WEIGHT): aseta paino nuolipainikkeilla. Vahvista asetuksesi ENTER-painikkeella.
4. Mittarin tekstikenttä kysyy testihenkilön ikää (AGE): aseta ikä nuolipainikkeilla. Vahvista asetuksesi ENTER-painikkeella.
5. Mittarin tekstikenttä ilmoittaa, että 3 minuuttia kestävä lämmittelyjakso (WARM UP) voidaan aloittaa. Aloita lämmittelyjakso painamalla START-painiketta.
6. Juoksualustan kulma säätöy automaattisesti 1 %:n kulmaan, joka testissä simuloi ilmanvastusta. Säädä nopeutta nopeuspainikkeiden tai PSC-toiminnon avulla. Suosittelemme lämmittelynopeudeksi hieman keskimääräistä nopeampaa kävelyvauhtia.
7. Lämmittelyjakson aikana kello kulkee taaksepäin kolmen minuutin ajan. Kun kello näyttää 0:00, mittari antaa äänimerkin ja varsinainen testi alkaa (TEST STARTED!).

KÄVELYTESTIN SUORITUS:

1. Tavoitteena testissä on kävellä mahdollisimman nopeasti 2 km matka. Säädät itse nopeutta joko nopeuspainikkeiden tai PSC-toiminnon avulla. Muista, että testissä ei saa juosta!
2. Mikäli sykemittaus ei toimi, mittarin tekstikenttä ilmoittaa tästä tekstillä CHECK TRANSMITTER. Varmista tällöin, että olet noudattanut sykevyön käytöstä annettuja ohjeita.
3. 2 km:n matkan tultua täyteen mittari antaa äänimerkin. Tällöin alkaa automaattinen 5 minuuttia kestävä jäähdyttelyvaihe, jonka päätteeksi matto pysähtyy. Mittarin tekstikenttä ilmoittaa testituloksen maksimaalisena hapenottookykyynä. Vertaa tulostasi oheiseen taulukkoon, joka kertoo eri ikäryhmien kuntotasoluokat.

COOPERIN TESTI

Cooperin testissä kuntotaso lasketaan 12 minuutin aikana juostun matkan perusteella: mitä pidemmän matkan pystyt juoksemaan, sen paremmassa kunnossa olet. Testiä edeltää 3 minuutin lämmittelyjakso. Lisäksi suosittelemme, että jatkat kävelemistä rauhalliseen tahtiin testin päätyttyä muutaman minuutin ajan, jolloin sykkeesi palautuu normaalille tasolle. Tulosten perusteella mittari ilmoittaa arvioidun maksimaalisen hapenottookykyysi.

MIEHET / MAKSIMAALINEN HAPENOTTOKY (VO2MAX)							
1 = erittäin heikko - 7 = erinomainen							
IKÄ	1	2	3	4	5	6	7
18-19	<33	33-38	39-44	45-51	52-57	58-63	>63
20-24	<32	32-37	38-43	44-50	51-56	57-62	>62
25-29	<31	31-35	36-42	43-48	49-53	54-59	>59
30-34	<29	29-34	35-40	41-45	46-51	52-56	>56
35-39	<28	28-32	33-38	39-43	44-48	49-54	>54
40-44	<26	26-31	32-35	36-41	42-46	47-51	>51
45-49	<25	25-29	30-34	35-39	40-43	44-48	>48
50-54	<24	24-27	28-32	33-36	37-41	42-46	>46
55-59	<22	22-26	27-30	31-34	35-39	40-43	>43
60-65	<21	21-24	25-28	29-32	33-36	37-40	>40
NAISET / MAKSIMAALINEN HAPENOTTOKY (VO2MAX)							
1 = erittäin heikko - 7 = erinomainen							
IKÄ	1	2	3	4	5	6	7
18-19	<28	28-32	33-37	38-42	43-47	48-52	>52
20-24	<27	27-31	32-36	37-41	42-46	47-51	>51
25-29	<26	26-30	31-35	36-40	41-44	45-49	>49
30-34	<25	25-29	30-33	34-37	38-42	43-46	>46
35-39	<24	24-27	28-31	32-35	36-40	41-44	>44
40-44	<22	22-25	26-29	30-33	34-37	38-41	>41
45-49	<21	21-23	24-27	28-31	32-35	36-38	>38
50-54	<19	19-22	23-25	26-29	30-32	33-36	>36
55-59	<18	18-20	21-23	24-27	28-30	31-33	>33
60-65	<16	16-18	19-21	22-24	25-27	28-30	>30

COOPERIN TESTIN ALOITUS:

1. Valittuasi Cooperin testin, mittari ilmoittaa COOPER SELECTED. Hyväksy valintasi ENTER-painikkeella.
2. Mittarin tekstikenttä kysyy testihenkilön sukupuolta (SEX): aseta sukupuoli nuolipainikkeilla. Vahvista asetuksesi ENTER-painikkeella.
3. Mittarin tekstikenttä kysyy testihenkilön ikää (AGE): aseta ikä nuolipainikkeilla. Vahvista asetuksesi ENTER-painikkeella.
4. Mittarin tekstikenttä ilmoittaa, että 3 minuuttia kestävä lämmittelyjakso (WARM UP) voidaan aloittaa. Aloita lämmittelyjakso painamalla START-painiketta.
5. Juoksualustan kulma säätöy automaattisesti 1 %:n kulmaan, joka testissä simuloi ilmanvastusta. Säädä nopeutta nopeuspainikkeiden avulla.
6. Lämmittelyjakson aikana kello kulkee taaksepäin kolmen minuutin ajan. Kun kello näyttää 0:00, mittari antaa äänimerkin ja varsinainen testi alkaa (TEST STARTED!).

COOPERIN TESTIN SUORITUS:

1. Tavoitteena testissä on juosta mahdollisimman pitkä matka 12 minuutin aikana. Säädät itse nopeutta joko nopeuspainikkeiden tai PSC-toiminnon avulla.
2. Mittarin tekstikenttä osoittaa testin aikana jatkuvasti käytetyn ajan.
3. 12 minuutin tultua täyteen mittari antaa äänimerkin. Tällöin alkaa automaattinen 5 minuuttia kestävä jäähdyttelyvaihe,

jonka päätteeksi matto pysähtyy. Mittarin tekstikenttä ilmoittaa testituloksen maksimaalisena hapenottokykynä. Vertaa tulostasi oheiseen taulukkoon, joka kertoo eri ikäryhmien kuntotasoluokat.

VALMIIT HARJOITUSPROFIILIT

Monipuolisen, tehokkaan ja tavoitteellisen harjoittelun varmistamiseksi Tunturi on kehittänyt eri tavoin toimivia valmiita harjoitusprofileja. Mittari ilmoittaa etukäteen profiilin muutoksista äänimerkillä. Profiilinäyttö osoittaa profiilin muodon sekä seuraavan profiilipylyvään tiedot. Mikäli tahdot hyödyntää käyttäjätietojasi tai tallentaa harjoitteesi, aseta käyttäjätietosi tai valitse käyttäjätunnukseksi (1-4).

A. Yhdistelmäprofiilit 1-3 ovat vaativuustasoltaan eriasteisia harjoitusprofileja, joissa nopeus ja kulma ovat valmiiksi asetettuja. Voit skaalata nopeutta haluamallesi tasolle sekä asettaa harjoituksen keston aikana tai matkana. Profiilit eivät vaadi sykevyyden käyttöä, mutta sykevyyden antaa kiinnostavaa lisätietoa suorituksestasi.

1. Paina SELECT-painiketta kunnes haluamasi profiilin (1-3) merkkivalo palaa. Vahvasta valintasi ENTER-painikkeella.
2. Aseta profiilin matka / aika. Asetusarvosta toiseen siirryt SELECT-painikkeella. Mittari näyttää profiilille viimeksi asetetun keston: voit käyttää suoraan tätä arvoa harjoituksen perustana. Voit muuttaa arvoa nuolipainikkeilla (raja-arvot 10 minuuttia (10:00) – 3 tuntia (h3:00)), muutokset 5 minuutin portain / 3 km – 42 km, muutokset 1 km portain).
3. Paina START-painiketta; harjoitus alkaa ja matto lähtee liikkeelle. Voit skaalata profiilin nopeustasoa nuolipainikkeiden avulla 1 % portain ylös- ja alaspäin. Painamalla SELECT-painiketta harjoituksen aikana mittari näyttää harjoituksen kertyneen nopeus-, kulma- ja sykeprofiilin.
4. Painamalla STOP-painiketta kerran, matto pysähtyy ja siirtyy 5 minuuttia kestävään odotustilaan. Tämän ajan kuluessa voit jatkaa keskeytettyä harjoitusta painamalla START-painiketta tai tallettaa harjoituksen mittarin muistiin (katso Muistitoiminto). Painamalla kahdesti STOP-painiketta päätät harjoitusohjelman, jolloin mittari siirtyy käynnistystilaan.
5. Profiilin päättyessä alkaa automaattinen jäähdyttelyvaihe, jonka päätteeksi matto pysähtyy. Voit tallentaa harjoituksen mittarin muistiin (katso Muistitoiminto).

B. Rolling Hills on intervallityyppinen harjoitus, jossa voit asettaa harjoituksen aikana juostavan matkan pituuden tai keston, ja määrät itse maton nopeuden. Rolling Hills harjoitteessa voit säädellä nopeuttasi PSC-toiminnon avulla. Mikäli et käytä PSC-toimintoa, profiili ei vaadi sykevyyden käyttöä, mutta sykevyyden antaa kiinnostavaa lisätietoa suorituksestasi.

1. Paina SELECT-painiketta kunnes Rolling Hills-profiilin (P4) merkkivalo palaa. Vahvasta valintasi ENTER-painikkeella.
2. Aseta profiilin matka / aika. Asetusarvosta toiseen siirryt SELECT-painikkeella. Mittari näyttää profiilille viimeksi asetetun keston: voit käyttää suoraan tätä

arvoa harjoituksen perustana. Voit muuttaa arvoa nuolipainikkeilla (raja-arvot 10 minuuttia (10:00) – 3 tuntia (h3:00)), muutokset 5 minuutin portain / 3 km – 42 km, muutokset 1 km portain).

3. Paina START-painiketta; harjoitus alkaa ja matto lähtee liikkeelle. Säädä nopeutta nopeudensäätöpaaninikkeiden tai PSC-toiminnon avulla. Painamalla SELECT-painiketta harjoituksen aikana mittari näyttää harjoituksen kertyneen kulma- ja sykeprofiilin.
4. Kulmaprofiilia voit skaalata nuolipainikkeiden avulla.
5. Painamalla STOP-painiketta kerran, matto pysähtyy ja siirtyy 5 minuuttia kestävään odotustilaan. Tämän ajan kuluessa voit jatkaa keskeytettyä harjoitusta painamalla START-painiketta tai tallettaa harjoituksen mittarin muistiin (katso Muistitoiminto). Painamalla kahdesti STOP-painiketta päätät harjoitusohjelman, jolloin mittari siirtyy käynnistystilaan.
6. Profiilin päättyessä alkaa automaattinen jäähdyttelyvaihe, jonka päätteeksi matto pysähtyy. Voit tallentaa harjoituksen mittarin muistiin (katso Muistitoiminto).

C. HRC (sykeohjatut) profiilit 5-8 ovat vaativuustasoltaan eriasteisia harjoitusprofileja, joissa voit asettaa harjoituksen keston. Sykeohjatut profiilit edellyttävät aina sykevyyden käyttöä. Mikäli sykemittaus ei toimi, tekstikentässä on virheilmoitus CHECK TRANSMITTER. Varmista tällöin, että olet noudattanut sykevyyden käytöstä annettuja ohjeita.

1. Paina SELECT-painiketta kunnes haluamasi profiilin (5-8) merkkivalo palaa. Vahvasta valintasi ENTER-painikkeella.
2. Valitse sykeohjausmalli nuolipainikkeilla. Vahvasta valintasi ENTER-painikkeella.
3. Aseta profiilin matka / aika. Asetusarvosta toiseen siirryt SELECT-painikkeella. Mittari näyttää profiilille viimeksi asetetun keston: voit käyttää suoraan tätä arvoa harjoituksen perustana. Voit muuttaa arvoa nuolipainikkeilla (raja-arvot 10 minuuttia (10:00) – 3 tuntia (h3:00)), muutokset 5 minuutin portain / 3 km – 42 km, muutokset 1 km portain).
4. Paina START-painiketta; harjoitus alkaa ja matto lähtee liikkeelle. Voit skaalata profiilin syketasoa nuolipainikkeiden avulla 1 % portain ylös- ja alaspäin.
5. Painamalla STOP-painiketta kerran, matto pysähtyy ja siirtyy 5 minuuttia kestävään odotustilaan. Tämän ajan kuluessa voit jatkaa keskeytettyä harjoitusta painamalla START-painiketta tai tallettaa harjoituksen mittarin muistiin (katso Muistitoiminto). Painamalla kahdesti STOP-painiketta päätät harjoitusohjelman, jolloin mittari siirtyy käynnistystilaan.
6. Profiilin päättyessä alkaa automaattinen jäähdyttelyvaihe, jonka päätteeksi matto pysähtyy. Voit tallentaa harjoituksen mittarin muistiin (katso Muistitoiminto).

PROFIILIT

(profiilikuvat ovat takakannen kääntösivulla)

PROFIILI 1 (Hill Walk). Profiili perustuu säännöllisiin kulmanmuutoksiin ja melko tasaiseen, reippaaseen kävelyvauhtiin. Profiili sopii aloittelijoille sekä kävelyn harrastajille. Valmisasetuksilla keskimääräinen

nopeus on 5,2 km/h ja huippunopeus 5,8 km/h, keskimääräinen kulma on 2,7 %.

PROFIILI 2 (Hill Jog). Profiili perustuu vaihteleviin kulmanmuutoksiin ja melko tasaiseen, kevyeen hölkkävauhtiin. Profiili sopii aloittelijoille sekä kunnon ylläpitoon. Valmisasetuksilla keskimääräinen nopeus on 6,9 km/h ja huippunopeus 7,2 km/h, keskimääräinen kulma on 1,9 %.

PROFIILI 3 (Hill Run). Profiili perustuu tasaiseen ja vähäiseen kulmaan sekä tasaisesti vaihtelevaan reippaaseen juoksuvauhtiin. Profiili sopii juoksen harrastajille. Valmisasetuksilla keskimääräinen nopeus on 11,6 km/h ja huippunopeus 12,5 km/h, keskimääräinen kulma on 1,8 %.

PROFIILI 4 (Rolling Hills). Matkaprofiili: voit asettaa profiilin pituuden kilometreinä, kulmamuoto pysyy samana eikä ole skaalattavissa. Profiili on kehitetty etenkin lajiharjoitteluun, mutta tuo vaihtelua myös kuntoharjoitteluun. Matkan maksimipituus on 42 km, valmisasetuksilla 3 km, säätö 1 km välein. Kulma-asetukset ovat intervallityyppisesti, keskimääräinen kulma on 2,4 %.

PROFIILI 5 (Fatburner 1). Matalatehoinen sykeprofiili, joka perustuu syketason tasaiseen nousuun ja laskuun. Profiili sopii painonhallintaan. Valmisasetuksilla keskimääräinen syke on 114, huippusyke 125.

PROFIILI 6 (Fatburner 2). Keskitehoinen sykeprofiili, joka perustuu syketason intervallityyppiseen nousuun ja laskuun. Profiili sopii kuntoharjoitteluun sekä painonhallintaan. Valmisasetuksilla keskimääräinen syke on 122, huippusyke on 136.

PROFIILI 7 (Cardio). Keskitehoinen sykeprofiili, joka perustuu syketason tasaiseen nousuun ja laskuun, syketaso pysyy lähes koko harjoituksen ajan 130-140 paikkeilla. Profiili sopii erinomaisesti kuntoharjoitteluun. Valmisasetuksilla keskimääräinen syke on 129, huippusyke 145.

PROFIILI 8 (Fit). Korkeatehoinen sykeprofiili, joka perustuu syketason tasaiseen nousuun ja laskuun, syketaso pysyy lähes koko harjoituksen ajan 135-145 paikkeilla. Profiili sopii hyväkuntoisten kuntoharjoitteluun ja kunnon kehittämiseen. Valmisasetuksilla keskimääräinen syke on 133, huippusyke 150.

MUISTITOIMINTO

Muistitoiminto edellyttää käyttäjätunnuksen käyttöä: harjoitus tallentuu valitun käyttäjätunnuksen alle. Voit tallettaa mittarin muistiin 5 harjoitusta / käyttäjätunnus.

OMAN PROFILIN TALLENNUS:

1. Valmisprofiilit voit tallettaa profiilin päätyttyä tai päättämällä profiilin painamalla kerran STOP-painiketta. Manuaali- ja HRC-harjoitteet päätät painamalla kerran STOP-painiketta, jonka jälkeen voit tallentaa harjoitteen. Siirry tallennukseen painamalla MEM-painiketta.
2. Mittarin tekstikenttä kysyy mihin muistipaikkaan

(SAVE AS OWN 1-5) talletat harjoituksen. Valitse haluamasi muistipaikka nuolipainikkeilla ja vahvasta valintasi painamalla ENTER-painiketta: harjoite tallentuu tähän muistipaikkaan.

3. Mikäli kaikki muistipaikat ovat jo käytössä, korvaa jokin aiemmista profiileista uudella. Mittarin tekstikenttä pyytää tällöin varmistusta (REPLACE OWN 1-5). Vahvasta valintasi painamalla ENTER-painiketta: harjoite tallentuu tähän muistipaikkaan.
4. Mittarin tekstikenttä vahvistaa tallennuksen (SAVED AS OWN 1-5), ja mittari siirtyy automaattisesti käynnistystilaan.

TÄRKEÄÄ! Profiiliin tallentuu korkeintaan 30 nopeuden tai kulman muutosta. Talletettavan profiilin tulee olla vähintään 10 minuuttia pitkä.

OMAN PROFILIN KÄYTTÖ:

1. Valitse käyttäjätunnuksesi.
2. Paina MEM-painiketta.
3. Paina SELECT-painiketta kunnes haluamasi oman profiilin (O1-5 MEMORY) merkkivalo palaa. Paina ENTER-painiketta vahvistaaksesi valintasi. Valitse RERUN (profiilin käyttö ilman muutoksia) tai RACE (profiilin käyttö kilpailutoiminnon pohjana) SELECT-painikkeella.
4. Vahvasta valintasi ENTER-painikkeella.
5. Käynnistä profiili painamalla START-painiketta.
6. RERUN-toiminnossa voit skaalata omaa profiilia ja tallentaa sen näin muutettuna uudestaan.

KILPAILUTOIMINTO

Valitsemalla omien profiilien valikosta RACE-vaihtoehdon voit kilpailla tallentamaasi nopeus/kulmaprofiilia vastaan. Tavoitteena on juosta profiili mahdollisimman nopeasti.

1. Käynnistä profiili painamalla START-painiketta.
2. Säädä nopeuttasi manuaalisesti tai PSC-toiminnon avulla tuntemustesi mukaan.
3. Mittarinäyttö kertoo suorituksen aikana profiilin kulusta ja edessä olevista muutoksista sekä tilanteesi suhteessa tallennettuun suoritukseen: teksti "YOU ARE x.xx BEHIND" kertoo sinun olevan ilmoitetun ajan verran jäljessä talletettua suoritusta, teksti "YOU ARE x.xx AHEAD" puolestaan kertoo sinun olevan ilmoitetun ajan verran edellä tallettamaasi suoritusta.
4. Profiilin päättyessä alkaa automaattinen jäähdyttelyvaihe, jonka päätteeksi matto pysähtyy. Voit tallentaa harjoituksen mittarin muistiin (katso Muistitoiminto).

HUOLTO

Laitteen käyttöturvallisuuden ylläpitäminen vaatii säännöllistä huoltoa ja mahdollisten toimintahäiriöitä aiheuttavien tekijöiden (osien kuluminen jne.) tarkkailua. Tarkista kerran vuodessa kaikkien kiinnitysruuvien ja muttereiden kireys. Mikäli jokin laitteen osa vikaantuu, osa tulee vaihtaa välittömästi. Laitetta ei saa käyttää ellei se ole täysin toimintakuntoinen.

JUOKSUMATON PUHDISTUS JA

HUOLTOVOITELU

Puhdista käsitet ja käyttöliittymä pölystä ja liasta säännöllisesti hieman kostealla kankaalla. Älä käytä liuottimia. Puhdista juoksumaton rungon näkyvät osat (mm. matto, pohjalevy, reunalevyt) pienisuuttimisella imurilla säännöllisesti. Laitteen pohjapuolen puhdistusta varten nosta juoksumatto säilytysasentoon.

TÄRKEÄÄ! Pidä myös juoksumaton ympäristö puhtaana. Käytössä juoksumatto kerää esim. pölyä, joka voi aiheuttaa ongelmia laitteen toiminnassa.

Huoltovoitelu on erittäin tärkeä juoksumaton huoltotoimenpide. Normaalissa kotikäytössä (enintään 1 tunnin kestävä harjoitus / päivä) huoltovoitelun tarve tulee varmistaa noin 300 käyttötunnin välein. Mittarin totaaliarvolaskurin avulla voit helposti seurata laitteen kokonaiskäyttöaikaa. Tarkista voitelun riittävyys aina, mikäli maton liike tuntuu nykivältä. Kokeile tällöin kädelläsi aluslevyä pysäytetyn maton alta; mikäli sormet jäävät kuiviksi eikä aluslevy tunnu liukkaalta, suorita huoltovoitelu seuraavasti:

1. Kiinnitä voiteluputki T-Lube –purkin nokkaan.
2. Nosta pysäytetyn maton reunaa ylös.
3. Työnnä voiteluputki maton ja aluslevyn väliin noin 20 cm:n etäisyydelle laitteen etupäästä.
4. Ruiskuta voiteluainetta koko aluslevyn pituudelle, mahdollisimman keskelle juoksualuea. T-Lubepullon sisältö riittää kahteen huoltovoiteluun.
5. Juoksumatto on heti käyttövalmis.

TÄRKEÄÄ! Juoksumattoa tulee käyttää vähintään viisi minuuttia voitelun jälkeen ennen kuin juoksualuea nostetaan säilytysasentoon. Näin vältetään voiteluaineen valuminen juoksualuealta.

TÄRKEÄÄ! Käytä pohjalevyn voiteluun vain Tunturin T-Lube voiteluainetta. T-Lube voiteluainetta on saatavana laitteesi myyjältä.

MATON KESKITTÄMINEN

Tarkkaile maton kulkua harjoittelusi aikana ja suorita alla esitetyt säätötoimet välittömästi, kun huomaat niihin tarvetta. Maton tulee kulkea laitteen keskellä. Keskittämistä ei yleensä tarvita, mikäli

- juoksumatto on tasaisella ja kovalla alustalla ja maton kireys on oikea ja
- matto on oikein keskitetty.

Esimerkiksi harjoittelijan epätasaisesta painonjakaumasta johtuen matto saattaa kuitenkin lähteä siirtymään kohti laitteen toista reunaa.

1. Säädä nopeudeksi 5 km/h.
2. Jos matto siirtyy kohti laitteen vasenta reunaa, käännä juoksumaton takareunassa olevaa vasemmanpuoleista säätöruuvia ¼ kierrosta myötäpäivään ja oikeanpuoleista säätöruuvia ¼ kierrosta vastapäivään. Jos matto siirtyy kohti laitteen oikeaa reunaa, käännä oikeanpuoleista säätöruuvia ¼ kierrosta myötäpäivään ja vasemmanpuoleista säätöruuvia ¼

kierrosta vastapäivään.

3. Säätö on riittävä, mikäli matto pysyy keskellä, mutta jos matto jatkaa edelleen kulkemistaan kohti laitteen toista reunaa, jatka asteittaista säätämistä kunnes matto kulkee suoraan.

Mikäli maton annetaan kulkea pidemmän ajan vinossa siten, että jompikumpi maton reuna hankaa laitteen sivuja vasten, laitteen käytössä saattaa ilmetä häiriöitä. Laitteen takuu ei korvaa maton keskittämisen laiminlyömisestä johtuvia vikoja tai vaurioita.

MATON KIREYDEN SÄÄTÖ

Maton tulee olla niin löysällä kuin mahdollista. Mattoa pitää kuitenkin kiristää, jos se normaalikäytössä alkaa luistaa telan päällä. Kireyden säätö suoritetaan samoilla säätöruuveilla kuin keskittäminen. Mikäli matto ei kiristy säätöruuveista, ota yhteys laitteen myyjään.

1. Säädä nopeudeksi 5 km/h.
2. Kierrä molempia säätöruuveja myötäpäivään ¼ kierrosta.
3. Yritä hidastaa maton kulkua kävelemällä jarruttaen, ikään kuin kulkisit alamäkeen.

Mikäli matto luistaa edelleen, kierrä vielä ¼ kierrosta ja toista kokeilu. Hyvin voimakkaasti jarrutettaessa matto saa luistaa. Mikäli matto luistaa jatkuvasti säädöistä huolimatta, ota yhteys laitteen myyjään.

KÄYTTÖHÄIRIÖT

Jatkuvasta laaduntarkkailusta huolimatta laitteessa saattaa esiintyä yksittäisistä komponenteista johtuvia yksilövikoja tai toimintahäiriöitä. Koko laitteen toimittaminen korjattavaksi on yleensä tarpeetonta, sillä vika on useimmiten korjattavissa ko. osan vaihdolla. Mikäli laitteen toiminnassa ilmenee häiriöitä käytön aikana, ota välittömästi yhteys laitteen myyjään. Ilmoita laitteesi malli ja sarjanumero, sekä häiriön luonne, laitteen käyttöympäristö sekä ostopäivämäärä.

Mikäli juoksumatossasi ilmenee normaalista poikkeavia toimintoja, käännä virtakytkin O-asentoon ja odota minuutin verran. Käynnistä tämän jälkeen matto ja totea onko virhetoiminta poistunut. Mikäli virhetoimintoa ei enää esiinny, laitetta voi käyttää normaalisti. Mikäli virhetoiminto ei ole poistunut, ota yhteys laitteen myyjään.

Mikäli tarvitset laitteeseesi varaosia, ota yhteys laitteen myyjään. Ilmoita aina laitteen malli, sarjanumero sekä tarvittavan osan varaosnumero. Varaosaluettelon löydät tämän oppaan lopusta. Laitteessa saa käyttää vain varaosalistassa mainittuja osia.

VIRHEILMOITUKSET

SYSTEM CHECK FAILED - Mahdollinen moottorinohjaimen häiriö. Katkaise juoksumaton virta päävirtakatkaisimesta, odota minuutti ja käynnistä uudestaan. Mikäli virheilmoitus on poistunut, voit käyttää laitetta normaalisti. Mikäli virheilmoitus ei poistu, ota yhteys laitteen myyjään.

SPEED SENSOR ERROR - Nopeussensorihäiriö. Ota yhteys laitteen myyjään.

MOTOR SPEED ERROR - Maton nopeudensäädön häiriö. Varmista että käytät laitetta oikein: älä työnnä mattoa. Katkaise juoksumaton virta päävirtakatkaisimesta, odota minuutti ja käynnistä uudestaan. Mikäli virheilmoitus on poistunut, voit käyttää laitetta normaalisti. Mikäli virheilmoitus ei poistu, ota yhteys laitteen myyjään.

MOTOR OVERLOAD - Moottorin ylikuormitus. Varmista että käytät laitetta oikein: älä jarruta mattoa. Varmista että maton voitelu on riittävä, tarvittaessa suorita huoltovoitelu. Katkaise juoksumaton virta päävirtakatkaisimesta, odota minuutti ja käynnistä uudestaan. Mikäli virheilmoitus on poistunut, voit käyttää laitetta normaalisti. Mikäli virheilmoitus ei poistu, ota yhteys laitteen myyjään.

LIFT MOTOR ERROR - Nostomoottorihäiriö. Ota yhteys laitteen myyjään.

LIFT MOTOR OVERLOAD - Nostomoottorin ylikuormitus. Varmista että käytät laitetta oikein: älä ylikuormita nostomoottoria jatkuvalla kulmasäädön muutoksella. Katkaise juoksumaton virta päävirtakatkaisimesta, odota minuutti ja käynnistä uudestaan. Käynnistettäessä matto suorittaa automaattisesti nostomoottorin kalibroinnin. Mikäli virheilmoitus on poistunut, voit käyttää laitetta normaalisti. Mikäli virheilmoitus ei poistu, ota yhteys laitteen myyjään.

HUOLTOILMOITUS

CHECK LUBRICATION. Varmista että maton voitelu on riittävä, suorita huoltovoitelu vain tarvittaessa. Poista ilmoitus painamalla ENTER-painiketta

KULJETUS JA SÄILYTYS

Juoksualustan voi nostaa tilaa säästävään säilytysasentoon. Matto on aina ehdottomasti pysäytettävä ennen nostamista säilytysasentoon. Kytke virta pois päävirtakatkaisimesta ja irroita verkkojohto virtalähteestä sekä juoksumatosta Tartu juoksualustan takaosaan ja nosta juoksualustaa ylöspäin kunnes kaasujousi lukittuu. **TÄRKEÄÄ!** Älä koskaan jätä juoksualustaa säilytysasentoon vain kaasujousien varaan! Laite nousee säilytysasennossa automaattisesti kuljetuspyörien varaan. Siirrä laite kuljetuspyörien varassa työntäen. Avaa kaasujousien lukitus painamalla vasemmanpuoleista kaasujousta tarralla merkitystä lukituskohdasta jalalla kevyesti ja vedä juoksualustaa alaspäin. Laske juoksualusta maahan varovasti.

TÄRKEÄÄ! Siirrä juoksumattoa erityisellä varovaisuudella lattian epätasaisuuksien, esim. kynnyksen yli. Rapuissa mattoa tulee aina kantaa. Laitteen siirtäminen saattaa vahingoittaa joitakin lattiamateriaaleja, esim. puuparkettia. Suojaa lattia siirtäessäsi laitetta vahinkojen estämiseksi. Matto on tarvittaessa keskitettävä laitteen siirtämisen jälkeen.

Säilytä laite mahdollisimman kuivassa ja tasalämpöisessä paikassa pölyltä suojattuna. Irrota verkkopistoke jokaisen käyttökerran jälkeen.

TEKNISET TIEDOT

Pituus.....	202 cm
(säilytysasennossa	115 cm)
Korkeus.....	138 cm
(säilytysasennossa	175 cm)
Leveys	94 cm
Paino.....	105 kg
Juoksualusta	51 x 138 cm
Nopeus	0,5-16,0 km/h
Kulmansäätö	0-10 %
Moottoriteho	2,0 HP (1,49 KW)

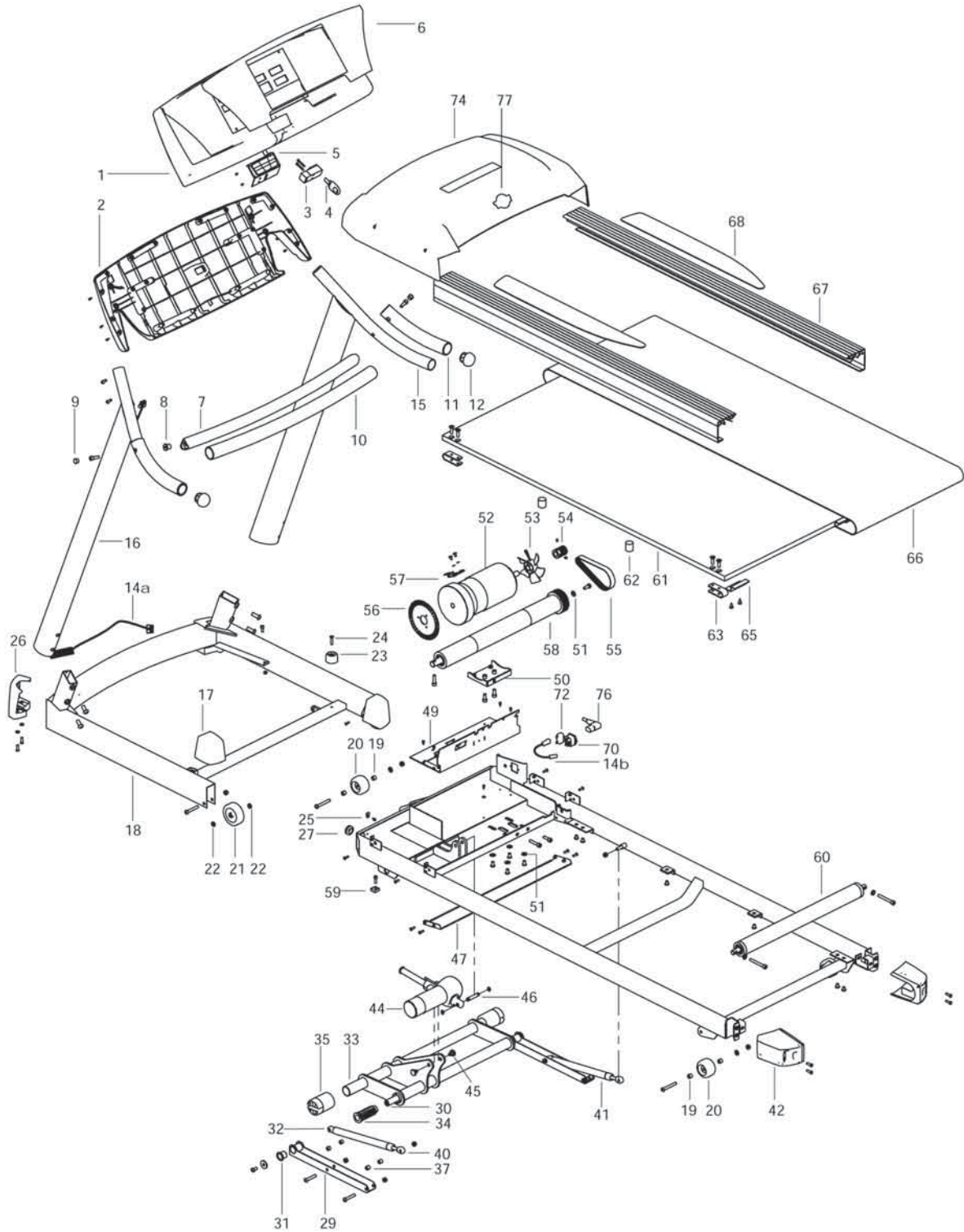
Tunturi-laitteet täyttävät sähkömagneettista yhteensopivuutta koskevan EU:n EMC-direktiivin (EN 61000-6-1, EN 61000-6-3, 61000-3-3) sekä pienjännitedirektiivin (EN 60335-1) vaatimukset. Tuotteet on varustettu sen mukaisesti CE-merkinnällä. Tunturi-juoksumatot täyttävät CEN-tarkkuus- ja turvanormien vaatimukset (luokka SA, EN-957, osat 1 ja 6).

Jatkuvan tuotekehityksen vuoksi oikeudet muutoksiin pidätetään.

TÄRKEÄÄ! Tässä ohjekirjassa annettuja tietoja kuntolaitteen asennuksesta, käytöstä ja huollosta tulee noudattaa erittäin huolellisesti. Takuu ei korvaa vahinkoja, jotka ovat aiheutuneet tässä ohjekirjassa mainittujen asennus-, säätö- tai huoltotoimenpiteiden laiminlyönneistä. Mikäli asennus-, säätö- tai huoltotoimenpiteitä tehdään toisin kuin ohjekirjassa mainitaan tai laitteelle tehdään toimenpiteitä, joita Tunturi Oy Ltd ei nimenomaisesti ole hyväksynyt, laitetta ei tule käyttää!

Toivotamme Sinulle miellyttäviä harjoitushetkiä Tunturi-harjoituskumppanisi kanssa!

T60F

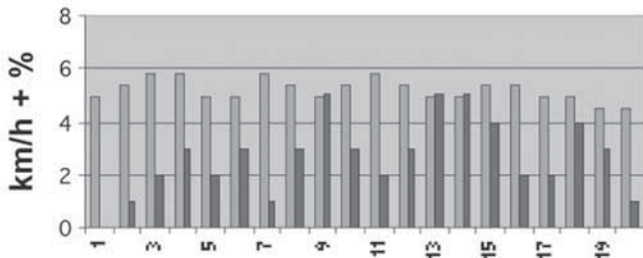


T60F							
1	233 4037	User interface, (incl. 2, 3)	1	42	173 4095	Rear roller cover	2
2	173 4098	Lower cover	1	-	M6x20 ISO 7380	Hexagon socket cap screw	4
-	KB 30x12 WN1411PT	- screw	22	44	813 4034	Lift motor	1
3	403 4138	Safety switch	1	45	653 4057	Screw	2
-	M4x30 DIN 912	Screw	2	46	343 4008	Axle	1
-	M4 DIN 934	Nut	2	-	10 DIN 471	Retaining	2
*4	403 4055	Safety key	1	47	173 4096	Front roller cover	1
5	233 4039	Silicone keyboard	1	-	M5x16 ISO 7380	Hexagon socket cap screw	4
6	233 4038	Membrane	1	49	403 4140	Power board, 230V	1
7	203 4058	Horizontal tube (incl. 8, 10)	1	-	403 4141	Power board, 110V	1
*-	M8x35 DIN 912	Hexagon socket cap screw	1	-	M4x8 DIN 7500 C Screw		4
8	653 4061	Nut	1	50	503 4072	Motor bracket	1
*9	533 4108	Plug	2	-	M8x20 DIN 912	Screw	2
10	213 4020	Handle grip	1	51	652 133 74	Washer	5
11	213 4022	Handle grip	2	-	M8x14 ISO 7380	Hexagon socket cap screw	4
12	533 4084	Handlebar end cap	2	-	M8x40 DIN 912	Screw	1
13	653 4062	Screw	1	52	813 4032	Motor 2 HP 230V, (incl.53,54,56)	1
14a	403 4144	Cable	1	-	813 4033	Motor 2 HP 110V, (incl.53,54,56)	1
14b	403 4161	Cable	1	-	M5 DIN 6798 I	Star washer	1
15	203 4056	Handlebar RH, (incl. 11, 12)	1	-	M4x8 DIN 7500 C Screw		1
16	203 4057	Handlebar LH, (incl. 11, 12)	1	53	303 4011	Motor fan	1
*-	M6x20 ISO 7380	Screw	4	54	263 4006	Drive pulley	1
17	533 4097	Front support end cap, RH	1	-	M6x8 DIN 916	Locking screw	2
-	533 4098	Front support end cap, LH	1	55	443 4023	Drive belt	1
-	M5x10 DIN 7500 C	Screw	2	56	433 4048	Speed sensor disc	1
18	103 4067	Front support frame	1	57	403 4142	Speed sensor	1
-	M10x25 ISO 7380	Screw	4	-	M4x8 DIN 7500 C	Screw	2
-	M6x16 DIN 912	Hexagon socket cap screw	2	58	523 4058	Front roller	1
-	M6 DIN 985	Locking nut	2	-	M8x25 DIN 912	Hexagon socket cap screw	1
19	523 4029	Sleeve	6	-	M8x20 DIN 933	Screw	1
20	533 1029	Moving wheel	3	59	693 4004	Front roller guide	1
-	M8x60 ISO 7380	Hexagon socket cap screw	3	-	M6x16 DIN 912	Hexagon socket cap screw	1
-	M8 DIN 125A	Washer	3	60	523 4059	Rear roller	1
-	M8 DIN 985	Locking nut	3	-	M8 DIN 125A	Washer	2
21	533 4099	Moving wheel	2	-	M8x65 DIN 912	Hexagon socket cap screw	2
22	653 132 83	Washer	4	61	433 4044	Running deck	1
-	M8x50 DIN 7984	Hexagon socket cap screw	2	-	M8x25 DIN 7991	Countersunk head screw	8
-	M8 DIN 985	Locking nut	2	62	533 4079	Rubber bumper	4
23	533 4094	Rubber bumper	2	-	M8x10 ISO 7380	Hexagon socket cap screw	4
-	M6x30 DIN 7991	Screw	2	63	643 4008	Leaf spring	4
24	653 4062	Screw	2	-	M8x10 ISO 7380	Hexagon socket cap screw	8
25	502 1027	Cable fastener	1	65	433 4047	Z-plate	2
-	M4x8 DIN 7500 C	Screw	1	-	4,8x16 DIN 7981	Screw	4
26	533 4095	Stand foot, L	1	66	443 4022	Running belt	1
-	533 4096	Stand foot, R	1	67	433 4045	Side landing	2
-	M6 DIN 125	Washer	4	68	433 4046	Anti-slip mat, pair	1
-	M6x20 ISO 7380	Hexagon socket cap screw	4	70	403 4060	Circuit breaker + Main switch	1
27	533 4047	Through-leading rubber	1	-	M3x10 DIN 965 A2	Screw	2
29	103 4066	Fulcrum bar	2	-	M3 DIN 934	Nut	2
-	M8x45 ISO 7380	Hexagon socket cap screw	2	72	403 4143	ON / OFF switch	1
-	M8 DIN 985	Locking nut	2	74	173 4094	Motor cover	1
30	343 4020	Incline structure frame axle	1	-	M5x16 ISO 7380	Hexagon socket cap screw	4
-	M8 DIN 9021	Washer	2	76	403 4134 EU	Power cable	1
-	M8x14 ISO 7380	Hexagon socket cap screw	2	-	403 4134 USA	Power cable	1
31	523 4060	Fulcrum bar sleeve	2	-	403 4134 GB	Power cable	1
32	533 4107	Gas spring plastic sleeve	4	-	403 4134 ISR	Power cable	1
33	103 4065	Incline structure frame (incl.34)	1	-	403 4134 SUI	Power cable	1
35	533 4101	Bushing slide	2	-	403 4134 AUS	Power cable	1
34	533 4100	Plain bearing	2	77	423 4119	Lable set	1
37	533 4106	Plastic sleeve	4	*	553 4026	Assembly kit (incl *)	1
-	M8 DIN 985	Locking nut	2	*	556 031 00	Hex wrench, 5mm	1
-	M8x45 ISO 7380	Hexagon socket cap screw	2	*	556 032 00	Hex wrench, 6mm	1
40	163 4009	Gas spring	1	-	563 4005	T-Lube S	1
41	163 4010	Gas spring lockable	1	-	553 0017	Screw set	1
-	M8x45 ISO 7380	Hexagon socket cap screw	2	-	453 202	Transmitter belt	1
-	M8 DIN 985	Locking nut	2	-	583 4031	Owner s manual	1

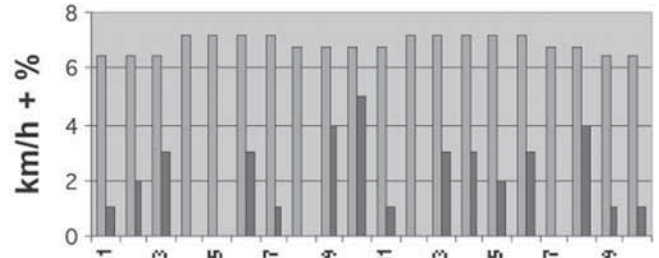


PROFILES

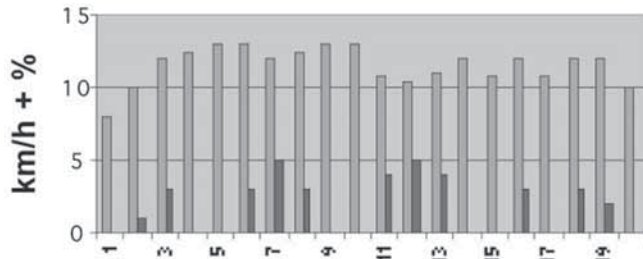
Hill Walk / Profile 1



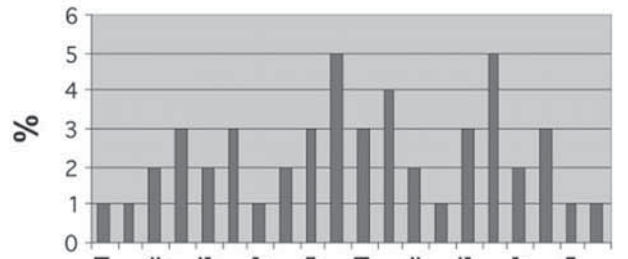
Hill Jog / Profile 2



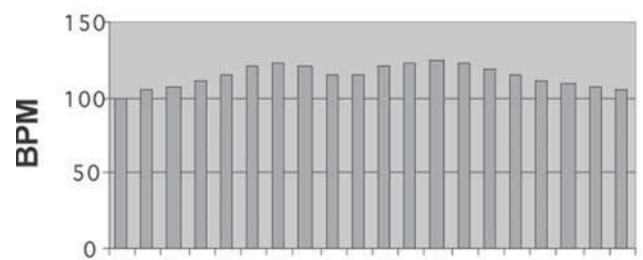
Hill Run / Profile 3



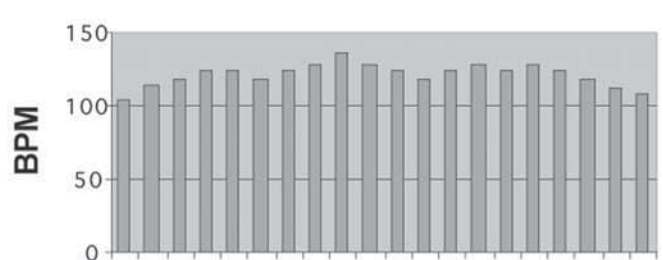
Rolling Hills / Profile 4



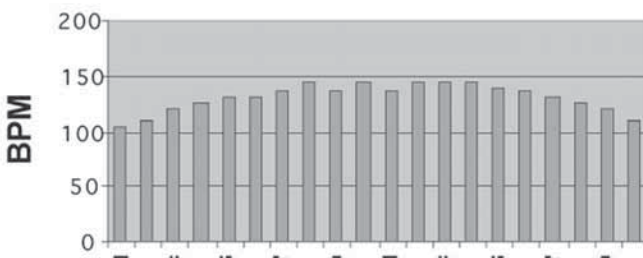
Fatburner 1 / Profile 5



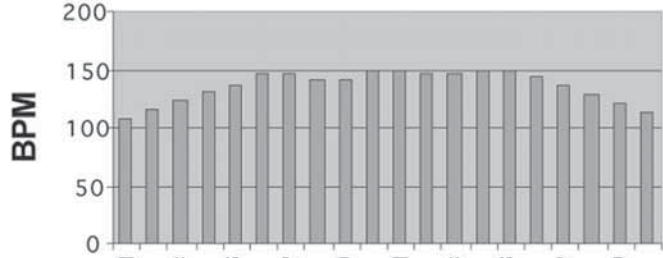
Fatburner 2 / Profile 6



Cardio / Profile 7



Fit / Profile 8





TUNTURI[®]
THE MOTOR – *it's you.*

TUNTURI OY LTD

P.O.BOX 750, FIN-20361
Turku, Finland
Tel. +358 (0)2 513 31
Fax +358 (0)2 513 3323
www.tunturi.com